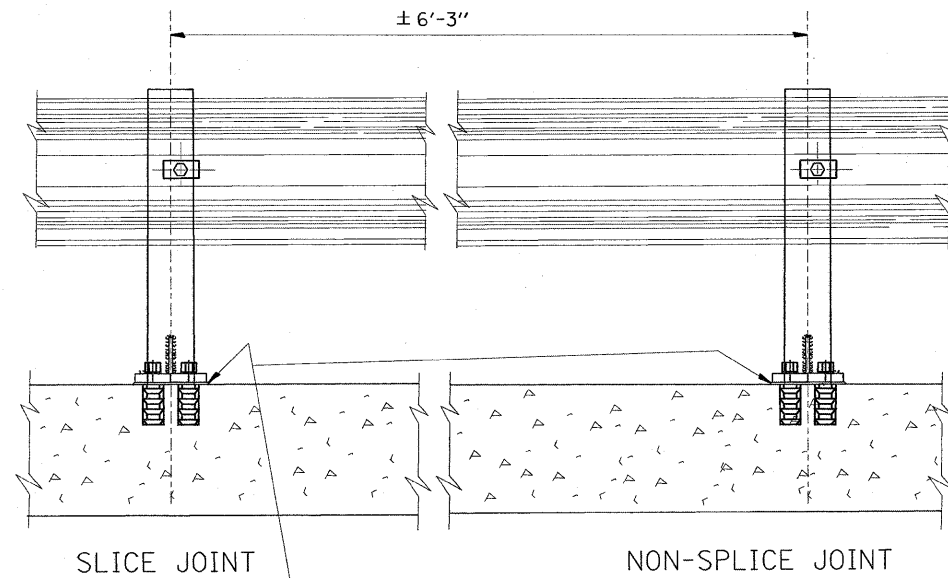
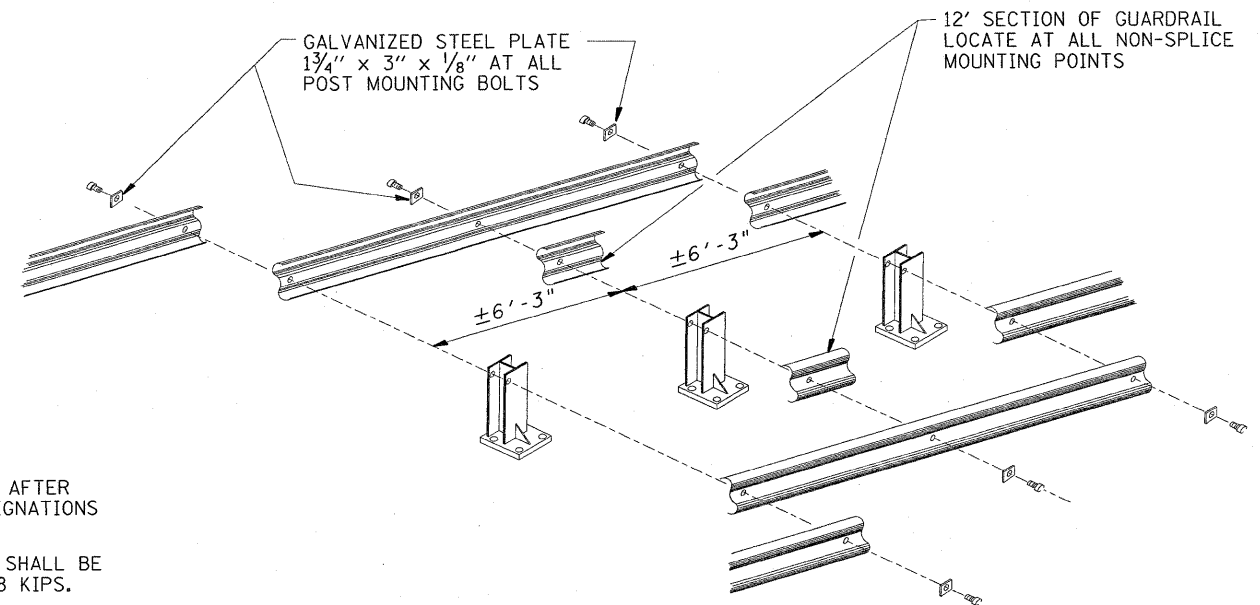


7/8" GALVANIZED ANCHOR BOLTS AND SELF DRILLING EXPANSION SHELLS OR MULTI UNIT TYPE ANCHORS  
1/8" HOLES THRU BASE PLATE

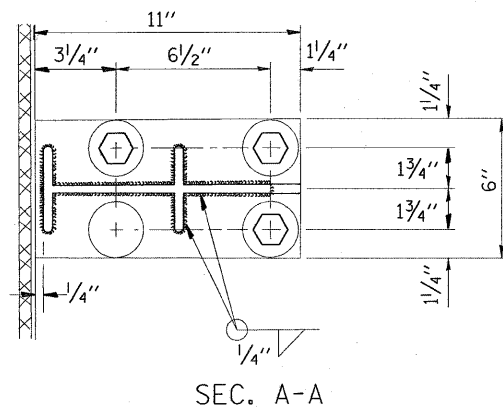


SEAL PERIMETER OF BASE OF POST TO MEDIAN WITH TWO COMPONENT NON-STAINING GRAY SEALING COMPOUND WITH POLYSULFIDE LIQUID POLYMERS - GUN GRADE WITH PRIMER



NOTE:

DIAMOND TIPPED DRILL SHALL BE USED TO DRILL THRU REINFORCEMENT BARS



NOTE:

POSTS SHALL BE HOT DIPPED GALVANIZED AFTER FABRICATION IN ACCORDANCE WITH ASTM DESIGNATIONS A-123 AND A-385.

TWO PERCENT (2%) OF ALL ANCHOR BOLTS SHALL BE TEST LOADED IN PLACE. MIN. TEST LOAD = 8 KIPS.

ALL BOLTS, NUTS AND WASHERS SHALL BE GALVANIZED IN ACCORDANCE WITH ASTM DESIGNATION A-153.

FOR MATERIAL COMPOSITION OF PREFABRICATED PAD, SEE ARTICLE 54.9(F), (BEARING AND ANCHORAGE), OF THE STANDARD SPECIFICATIONS.

PROVIDE 1-1/8" AND 2-1/16" GALVANIZED STEEL SHIMS FOR 25% OF THE POSTS.

IF ONE ANCHOR BOLT FAILS DURING TEST, TWO OTHER ANCHOR BOLTS SHALL BE TESTED. TESTING EQUIPMENT CAN BE OBTAINED FROM BOLT COMPANIES.

THIS SHEET IS FOR INFORMATION ONLY

FILE NAME = W:\diststa\22x34\bm05.dgn	USER NAME = mdyje	DESIGNED - DRAWN - RFL	REVISED - R. RITCHIE 05-02-00	<b>STATE OF ILLINOIS DEPARTMENT OF TRANSPORTATION</b>	<b>TYPICAL DETAIL FOR CENTER LONGITUDINAL JOINT GUARDRAIL JOINT</b>			F.A. . RTE.	SECTION	COUNTY	TOTAL SHEETS	SHEET NO.			
	PLOT SCALE = 50,000 ' / IN.	CHECKED -	REVISED -		SCALE: NONE	SHEET NO. 1	OF 1	SHEETS	STA.	TO STA.	VAR.	2008-058 GRR	VARIOUS	21	11
	PLOT DATE = 8/27/2008	DATE - 10-31-88	REVISED -									BM-05	CONTRACT NO. 60F16		
												FED. ROAD DIST. NO. 1	ILLINOIS/FED. AID PROJECT		