

NOTE:

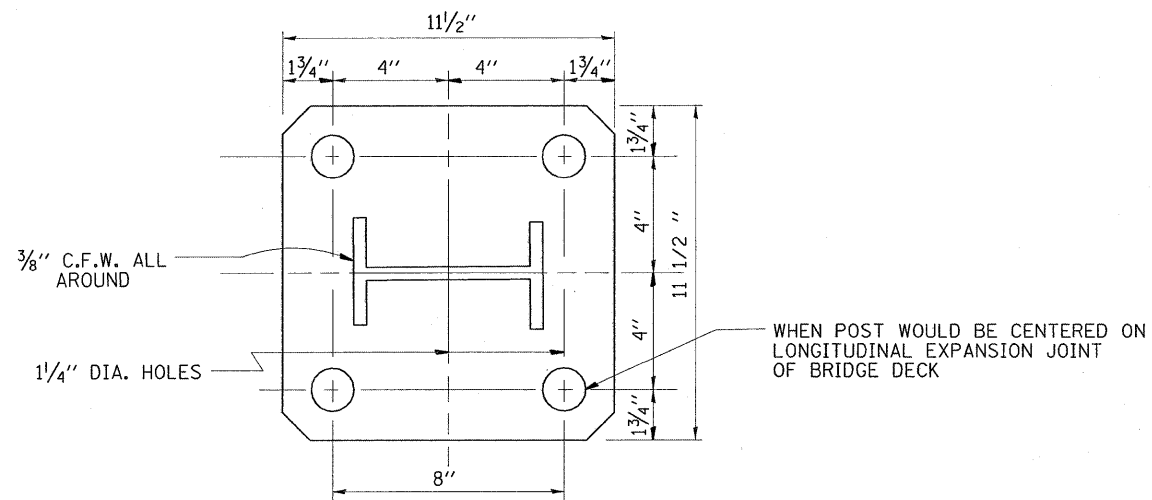
FOR DETAILS OF RAIL ELEMENTS, RAIL SPLICING, NUT, BOLT AND SIDE VIEW OF RAIL, SEE STANDARD 2230-2.

ALL WELDS SHALL BE GROUND SMOOTH

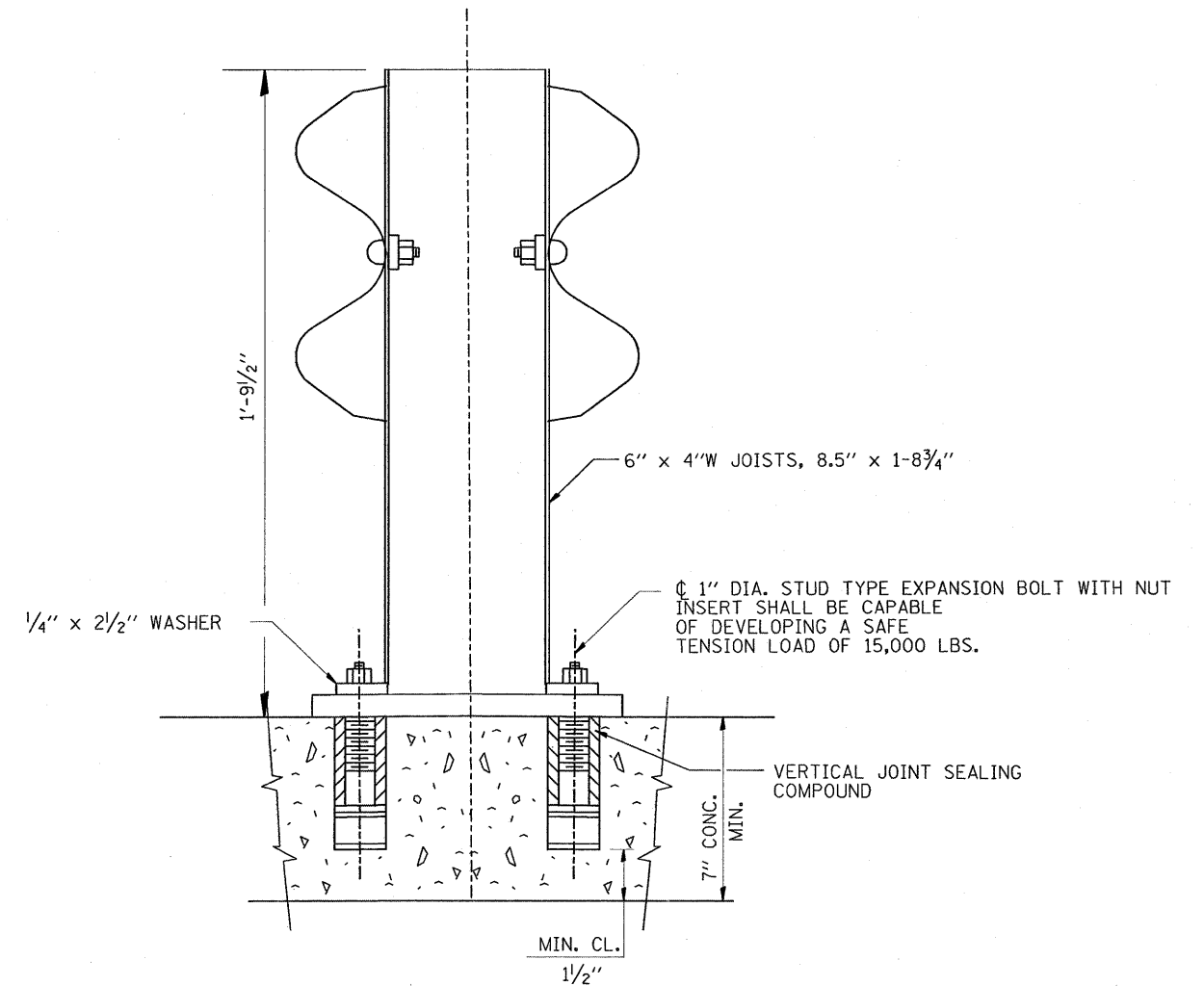
POSTS SHALL BE CUT AND WELDED TO THE BASE PLATE SO THAT THE POST WILL BE PLUMB WHEN ERECTED.

TWO PERCENT (2%) OF ALL ANCHOR BOLTS SHALL BE TEST LOADED IN PLACE, MINIMUM TEST LOAD=8 KIPS. IF ONE ANCHOR BOLT FAILS DURING THE TEST, TWO OTHER ANCHOR BOLTS SHALL BE TESTED. TESTING EQUIPMENT SHALL BE BOLT COMPANIES.

PROVIDE 1/8" AND 2/16" GALVANIZED SHIMS FOR 25% OF THE POSTS.



RAIL POST BASE
 11 1/2" x 1 1/4" x 11 1/2"



FILE NAME = W:\distata\22x34\bm02.dgn	USER NAME = mdjjo	DESIGNED -	REVISED - R. RITCHIE 05-02-00	STATE OF ILLINOIS DEPARTMENT OF TRANSPORTATION	ANCHOR DETAIL FOR STEEL PLATE BEAM GUARDRAIL ON CONCRETE			F.A. RTE.	SECTION	COUNTY	TOTAL SHEETS	SHEET NO.
	PLOT SCALE = 50.000' / IN.	DRAWN - RFL	REVISED -					VAR. 2008-058 GRR	VARIOUS	21	10	
PLOT DATE = 8/27/2008	DATE - 10-31-88	CHECKED -	REVISED -	SCALE: NONE	SHEET NO. 1 OF 1 SHEETS	STA.	TO STA.	CONTRACT NO. 60F16		FED. ROAD DIST. NO. 1 ILLINOIS FED. AID PROJECT		