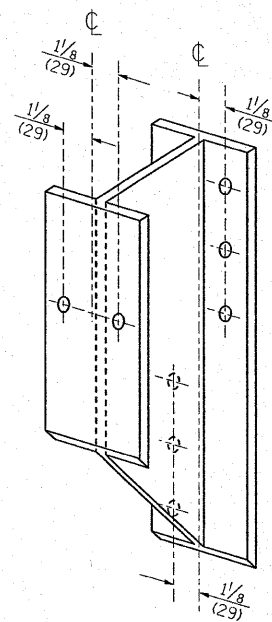
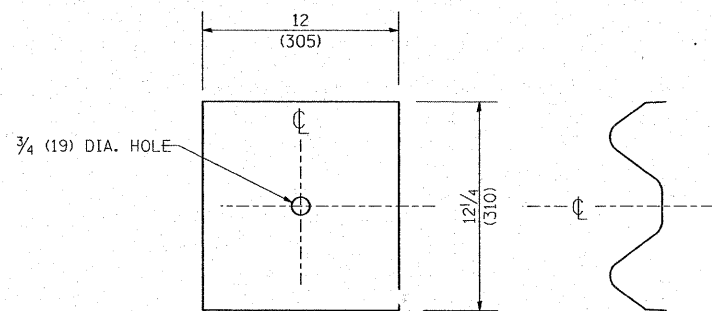


STEEL POST CONSTRUCTION



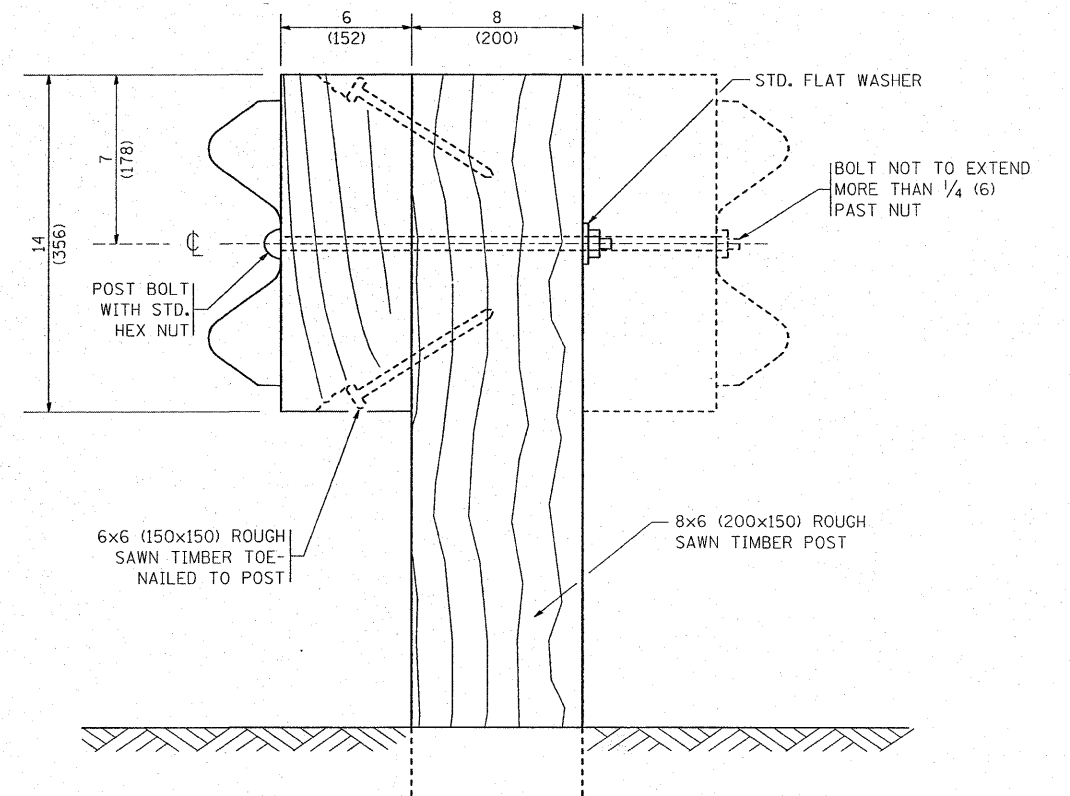
STEEL BLOCK-OUT DETAIL



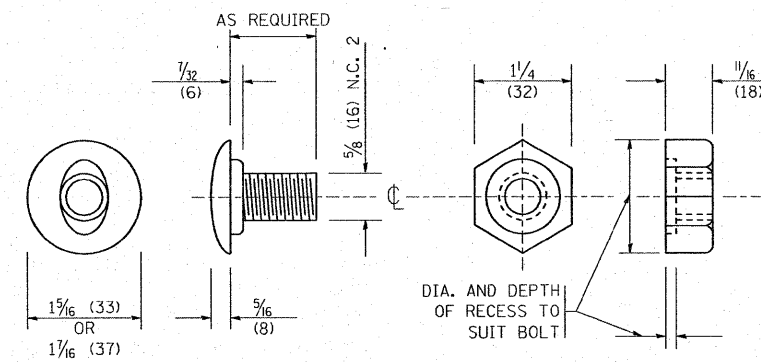
NOTE:

PLATE A SHALL BE PLACED BETWEEN RAIL ELEMENT AND BLOCK-OUT AT NON-SPLICE MOUNTING POINTS ONLY WHEN STEEL BLOCK-OUTS ARE USED.

PLATE A



WOOD POST CONSTRUCTION



POST OR SPLICE BOLT & NUT

FILE NAME =	USER NAME = galbannb	DESIGNED -	REVISED - 10-31-06	STATE OF ILLINOIS DEPARTMENT OF TRANSPORTATION	REMOVE AND REERECT STEEL PLATE BEAM GUARDRAIL		F.A.P. RTE. 330	SECTION 104 T-3	COUNTY WILL	TOTAL SHEETS 32	SHEET NO. 24
\\dist\infos2\users\galbannb\Desktop\bm2.dgn		DRAWN -	REVISED -		SCALE: NONE	SHEET NO. 2 OF 4 SHEETS	STA. TO STA.	BM-21		CONTRACT NO. 60B09	
PLOT SCALE = 50.0000' / IN.		CHECKED -	REVISED -		FED. ROAD DIST. NO. 1 ILLINOIS FED. AID PROJECT						
PLOT DATE = 12/27/2007		DATE -	REVISED -								