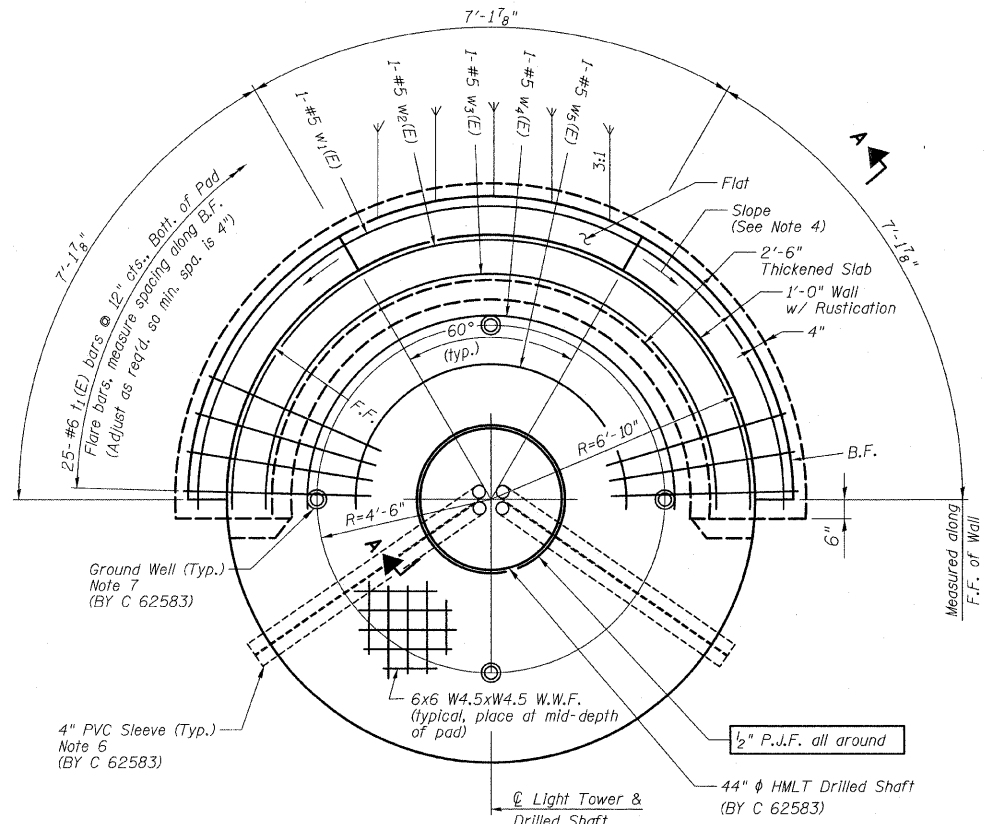
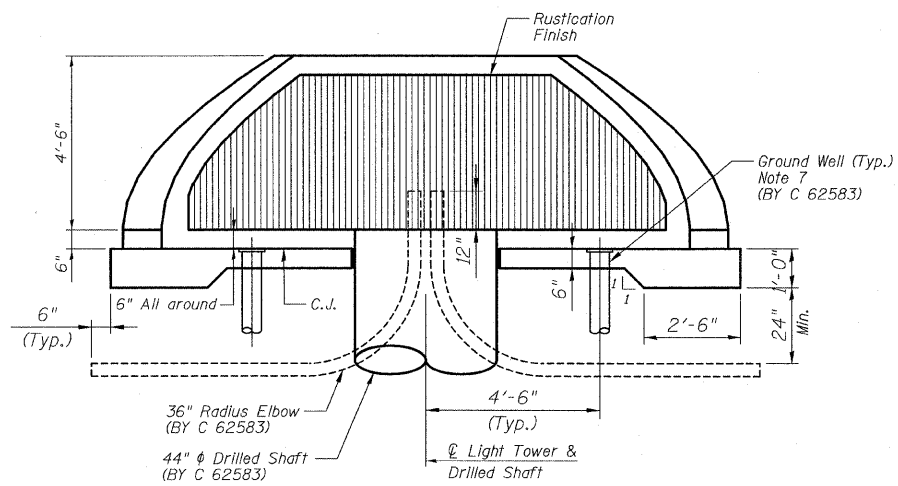


F.A.I. RTE.	SECTION	COUNTY	TOTAL SHEETS	SHEET NO.
94	2005-069 LS	COOK	60	46
STA. 1254+81 (NB I-94) TO STA. 1263+40 (SB I-94)				
FED. ROAD DIST. NO.			ILLINOIS FED. AID PROJECT	

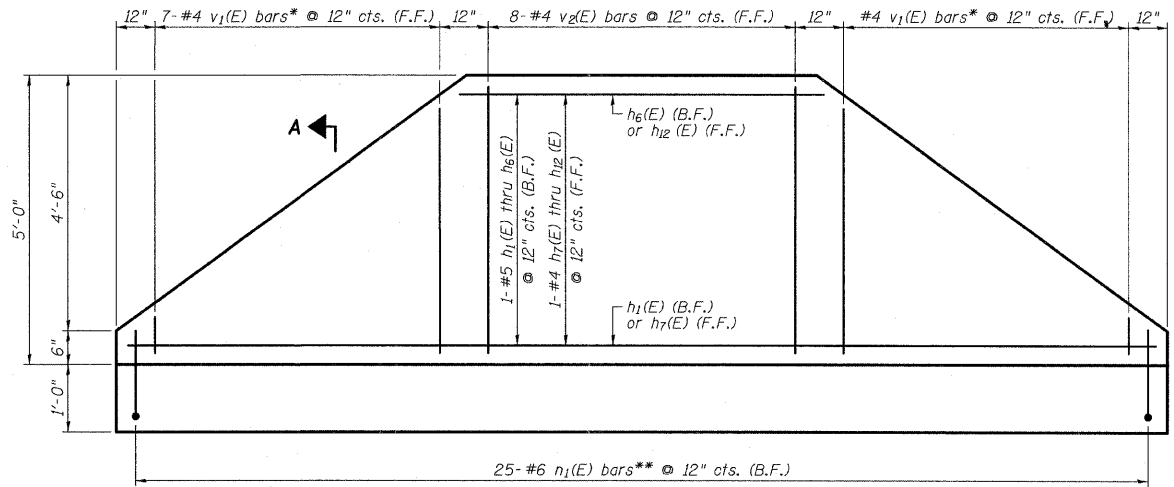
60A75



PLAN VIEW
Place Bars $w_1(E)$ thru $w_5(E)$ @ 12" cts., Bott. of Pad
(HMLT 6PAB4 at Sta. 1260+65.65 SB I-94 @)
(HMLT 60CD2 at Sta. 1255+99.67 SB I-94 @)



ELEVATION VIEW
(HMLT not shown for clarity)
(HMLT 6PAB4 at Sta. 1260+65.65 SB I-94 @)
(HMLT 60AB1 at Sta. 1255+99.67 SB I-94 @)



5'-0" RETAINING WALL ELEVATION (PROJECTED)
(Looking at F.F.)
(HMLT 6PAB4 at Sta. 1260+65.65 SB I-94 @)
(HMLT 60CD2 at Sta. 1255+99.67 SB I-94 @)

- NOTES**
1. F.F. and B.F. denote Front Face and Back Face, respectively.
 2. HMLT denotes High Mast Light Tower.
 3. Refer to HMLT Service Pad, Special & Retaining Wall Details 2 for Bar Bending Diagrams, Bill of Material, Bar Sections and Details.
 4. T/Wall slope is constant along the arc of any given radius.
 5. Place horizontal falls of $n_1(E)$ bars radially.
 6. PVC sleeves must be extended 6 inches by Contract 62583 beyond the edge of the concrete pad.
 7. Ground wells 4'-6" as measured from centerline of the HMLT to centerline of the well to be installed by Contract 62583. Adjust service pad reinforcement to miss wells. Any necessary vertical adjustments will be performed by the contractor who installed the ground wells at the specific location.

REVISIONS	
NAME	DATE

ILLINOIS DEPARTMENT OF TRANSPORTATION
F.A.I. 94 (DAN RYAN EXPRESSWAY)
HIGH MAST LIGHT TOWER SERVICE PAD,
SPECIAL & RETAINING WALL DETAILS
SHEET 1 OF 2

S.N.
SCALE: N.T.S.
DATE: JUNE 20, 2008

DESIGNED BY: MAF
DRAWN BY: MAF
CHECKED BY: PF

TYLIN INTERNATIONAL

P:\02373\000\c220\ms220r\sh03a.dmit.dgn 6/23/2008 9:40:18 AM