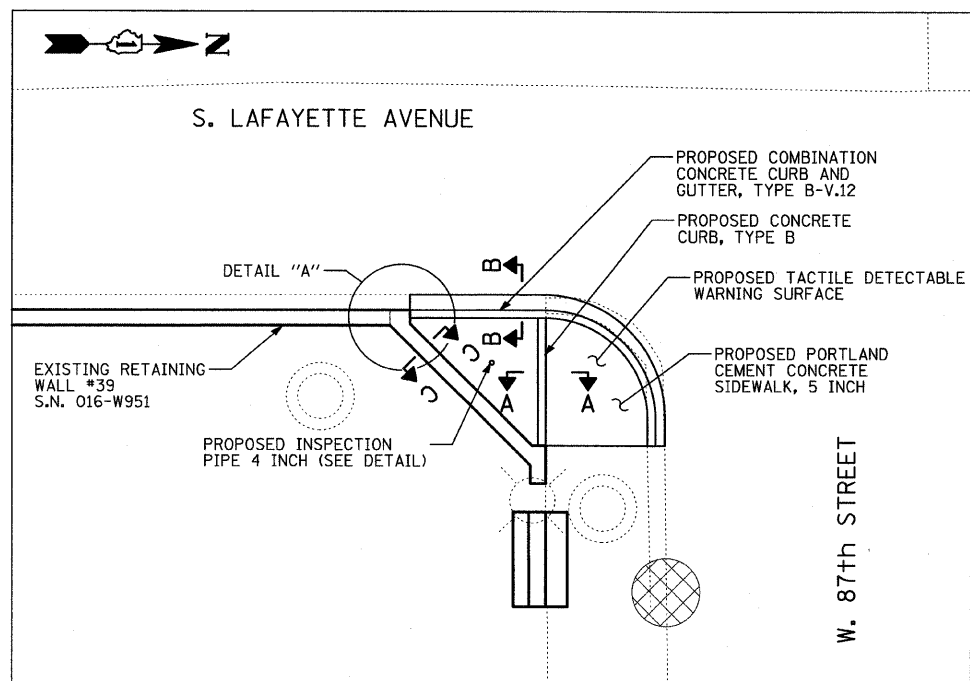
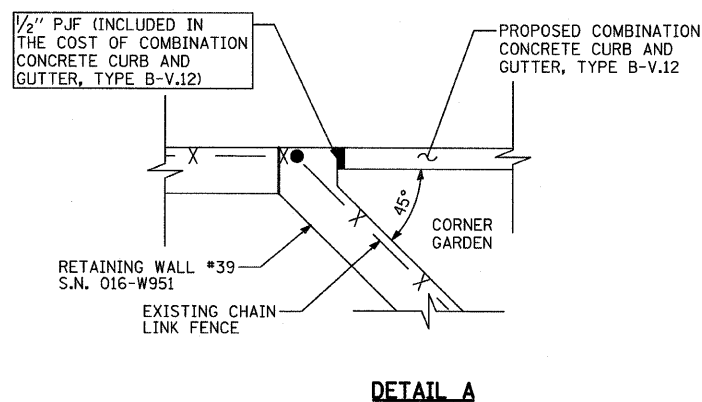


F.A.I. RTE.	SECTION	COUNTY	TOTAL SHEETS	SHEET NO.
94	2005-069 LS	COOK	60	35
STA. 1253+81 (NB I-94)	TO STA. 1253+45 (NB I-94)			
STA. 1253+19 (SB I-94)	TO STA. 1263+40 (SB I-94)			
FED. ROAD DIST. NO.	ILLINOIS	FED. AID PROJECT		

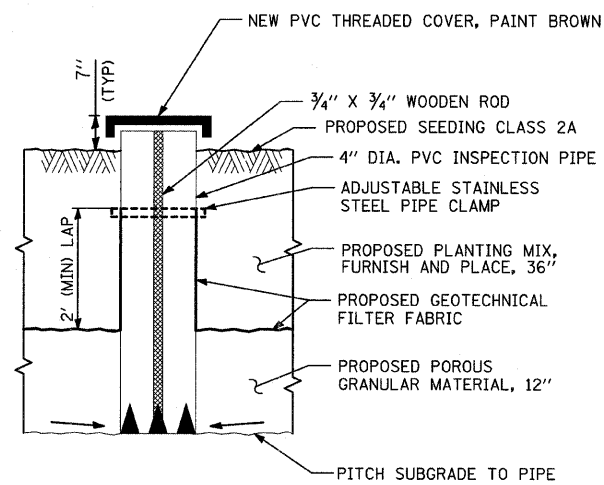
60A75



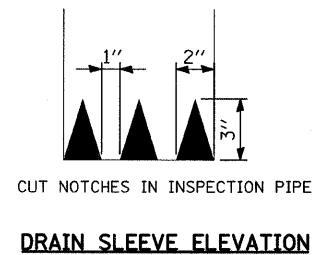
SW CORNER GARDEN AT 87TH STREET



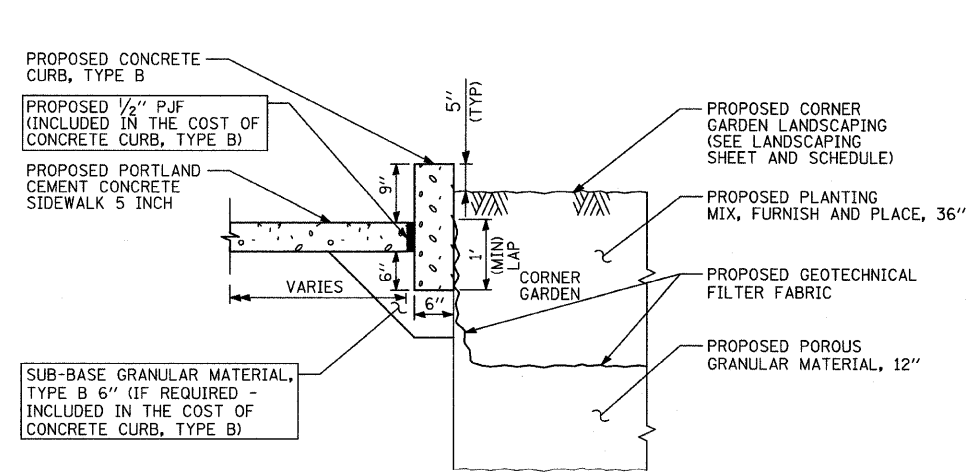
DETAIL A



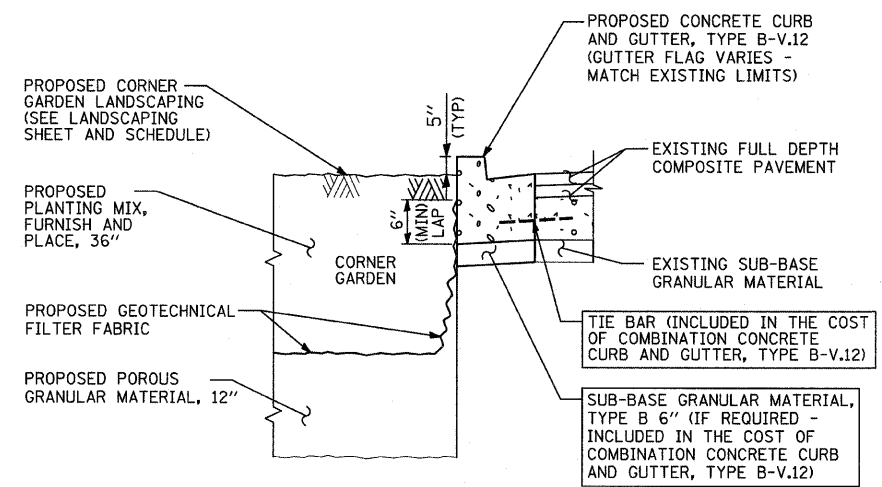
INSPECTION PIPE, 4"



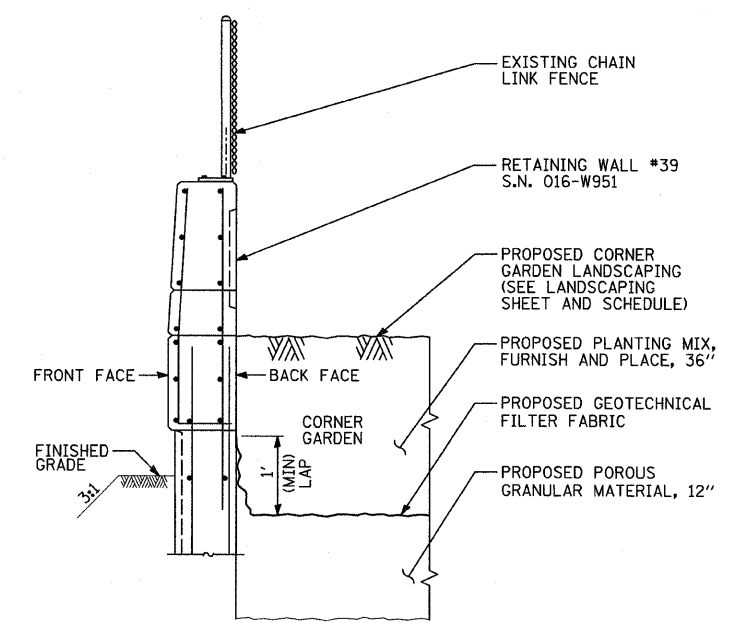
CUT NOTCHES IN INSPECTION PIPE
DRAIN SLEEVE ELEVATION



SECTION A-A



SECTION B-B



SECTION C-C

TYLIN INTERNATIONAL

REVISIONS	
NAME	DATE

ILLINOIS DEPARTMENT OF TRANSPORTATION
F.A.I. 94 (DAN RYAN EXPRESSWAY)

SW CORNER GARDEN DETAIL -
87TH STREET AND LAFAYETTE AVENUE

SCALE: NOT TO SCALE
DATE: JUNE 20, 2008

DRAWN BY: JDF
CHECKED BY: JPM

P: 02/27/2008 9:39:39 AM