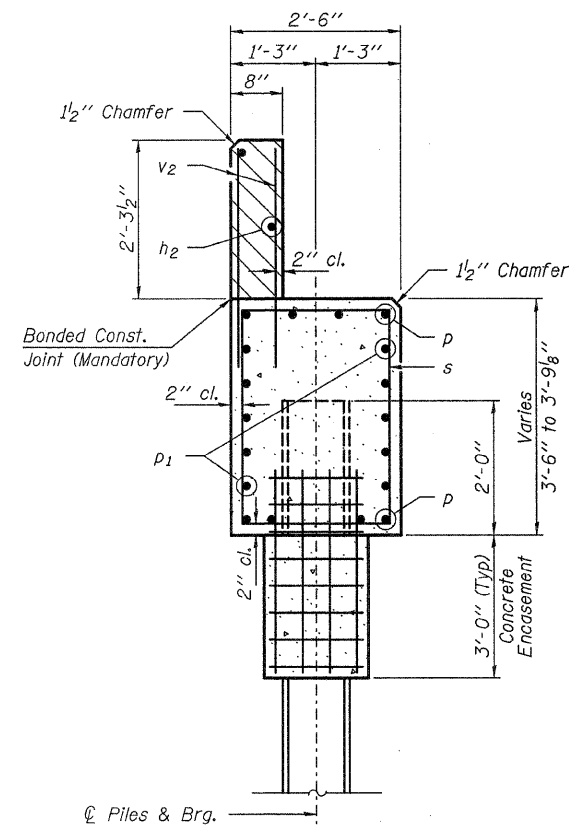
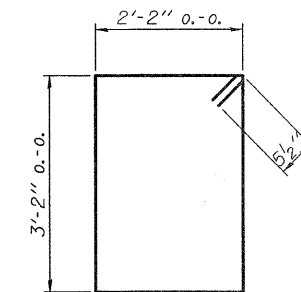


PLAN

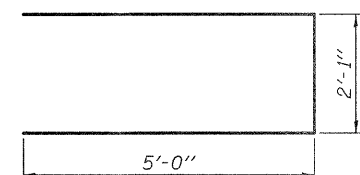


SECTION A-A

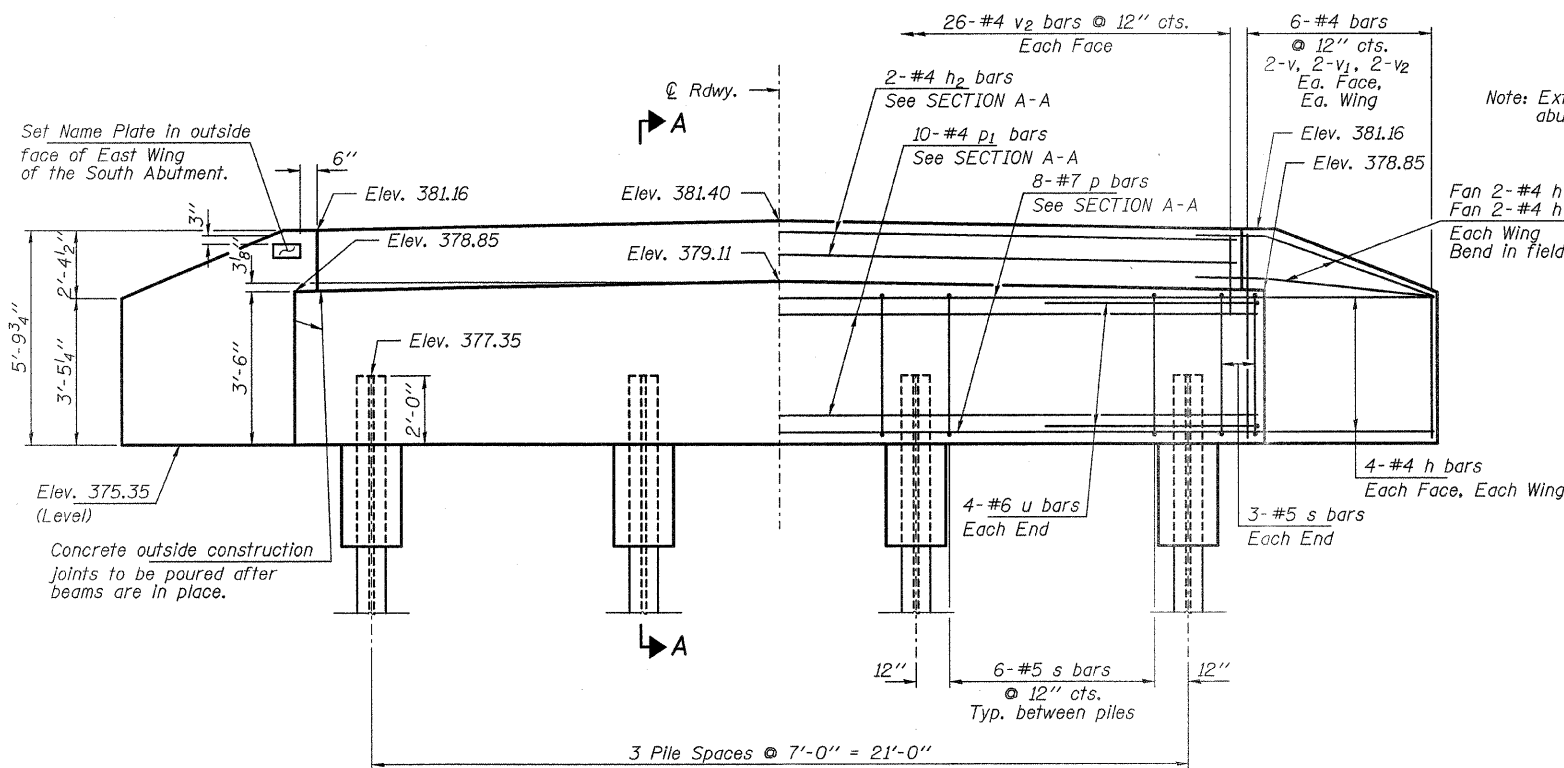
Hatched area to be poured after beams are in place.



BAR s



BAR u



ELEVATION

Note: Extend h bars into abutment cap.

Fan 2-#4 h bars (B.F.)
Fan 2-#4 h1 bars (F.F.)
Each Wing
Bend in field.

PILE DATA

Type ----- Steel HPI2x53
No. Req'd. (2 Abuts.) ----- 8
Factored Resistance Available ----- 209 Kips/Pile
Nominal Req'd Bearing ----- 419 Kips/Pile
Est. Length ----- 46 Ft/Pile - N. Abut.
42 Ft/Pile - S. Abut.

Notes: The Steel H-Piles shall be according to AASHTO M270 Grade 50.

BILL OF MATERIAL - 2 ABUTS.

BAR	NO.	SIZE	LENGTH	SHAPE
h	40	#4	7'-0"	—
h1	8	#4	5'-6"	—
h2	4	#4	25'-2"	—
p	16	#7	25'-2"	—
p1	20	#4	25'-2"	—
s	48	#5	11'-7"	□
u	16	#6	12'-1"	—
v	16	#4	5'-2"	—
v1	16	#4	4'-2"	—
v2	120	#4	3'-2"	—
Concrete Structures			Cu. Yd.	23.6
Concrete Encasement			Cu. Yd.	2.8
Reinforcement Bars			Pound	2,670
Steel Piles HPI2x53			Foot	352
Name Plates			Each	1

**ABUTMENTS
STRUCTURE NO. 033-3309**

DESIGNED - S.M.S.
CHECKED - S.W.M.
DRAWN - D.A.B.
CHECKED - D.T.M.

HAMPTON, LENZINI & RENWICK, INC.
CIVIL & STRUCTURAL ENGINEERS
LAND SURVEYORS
HLR
3085 STEVENSON DRIVE, SUITE 201
SPRINGFIELD, ILLINOIS 62703
(217) 546-3400

SHEET NO. 6
8 SHEETS

T.R.	SECTION	COUNTY	TOTAL SHEETS	SHEET NO.
376	08-01115-00-BR	HAMILTON	12	10
BEAVER CREEK ROAD DISTRICT		CONTRACT NO. 99355		
FED. ROAD DIST. NO.	ILLINOIS	FED. AID PROJECT BR05-065(44)		

PROJECT NUMBER: 08.0104.130 DATE: 01/21/09