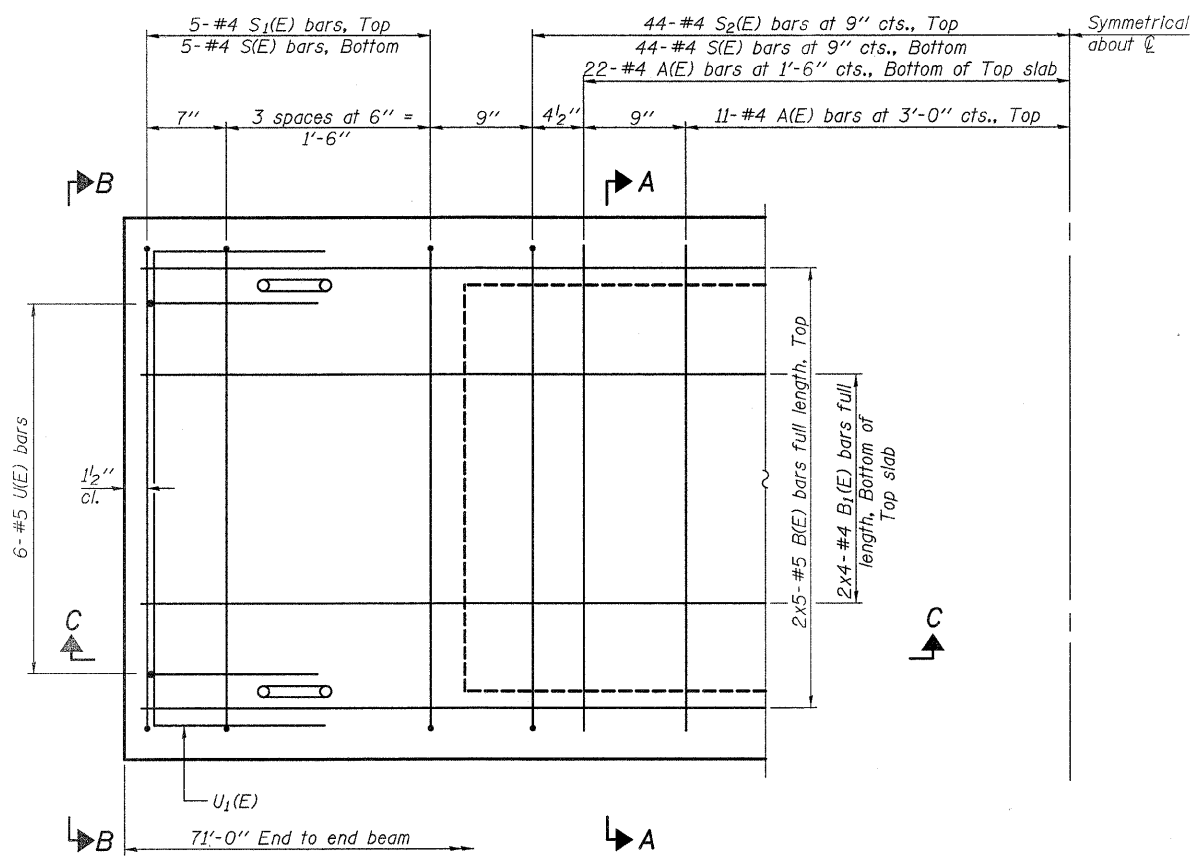


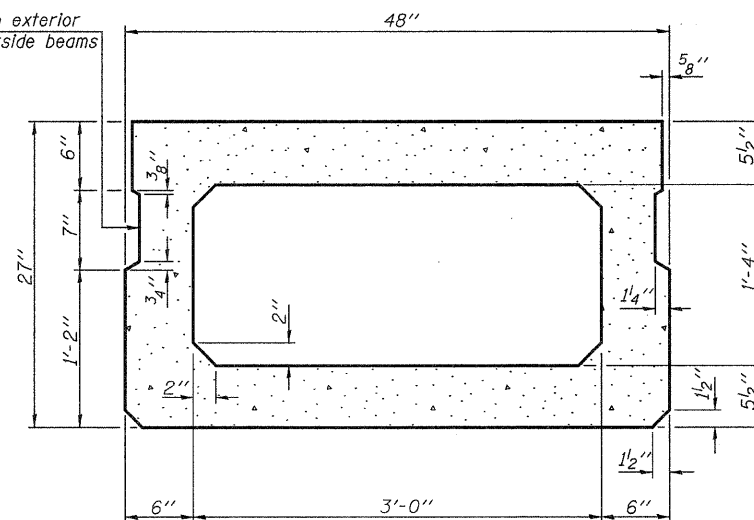
**SECTION C-C**



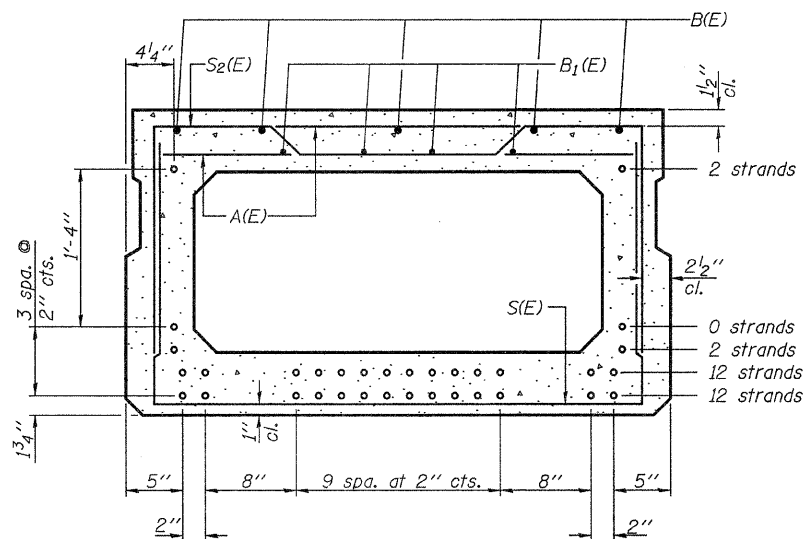
**PLAN VIEW**

Note: Spacing of S(E) and S<sub>2</sub>(E) bars may be adjusted up to 4" in the immediate area of the transverse tie diaphragms to miss the block outs for the transverse ties.

Omit key on exterior face of outside beams

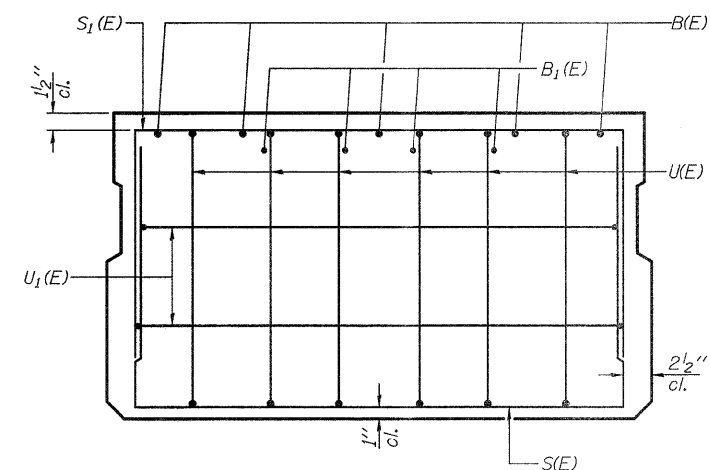


**SECTION A-A**  
(Showing dimensions)



**SECTION A-A**  
(Showing reinforcement and permissible strand locations)

Note: Place the number of strands specified in each row symmetrically about the centerline of beam in the permissible strand locations shown.



**VIEW B-B**

**BAR LIST**  
**ONE BEAM ONLY**  
(For information only)

Bar	No.	Size	Length	Shape
A(E)	66	#4	3'-7"	—
B(E)	10	#5	36'-3"	—
B <sub>1</sub> (E)	8	#4	36'-3"	—
S(E)	98	#4	7'-5"	⌊
S <sub>1</sub> (E)	10	#4	6'-11"	⌊
S <sub>2</sub> (E)	88	#4	7'-2"	⌊
U(E)	12	#5	4'-6"	⌊
U <sub>1</sub> (E)	4	#4	6'-0"	⌊

Note: See sheets 3 & 4 of 8 for additional details and Bill of Material.

**SUPERSTRUCTURE**  
**27" X 48" PPC DECK BEAM**  
**STRUCTURE NO. 033-3309**

DESIGNED - S.M.S.
CHECKED - S.W.M.
DRAWN - D.A.B.
CHECKED - D.T.M.

PD-2748-0 5-16-08

**HAMPTON, LENZINI & RENWICK, INC.**  
CIVIL & STRUCTURAL ENGINEERS  
LAND SURVEYORS  
**HLR**  
3085 STEVENSON DRIVE, SUITE 201  
SPRINGFIELD, ILLINOIS 62703  
(217) 548-3400  
PROJECT NUMBER: 08.0104.130 DATE: 01/21/09

SHEET NO. 2  
8 SHEETS

T.R.	SECTION	COUNTY	TOTAL SHEETS	SHEET NO.
376	08-01115-00-BR	HAMILTON	12	6
BEAVER CREEK ROAD DISTRICT		CONTRACT NO. 99355		
FED. ROAD DIST. NO.	ILLINOIS	FED. AID PROJECT BR05-065(44)		