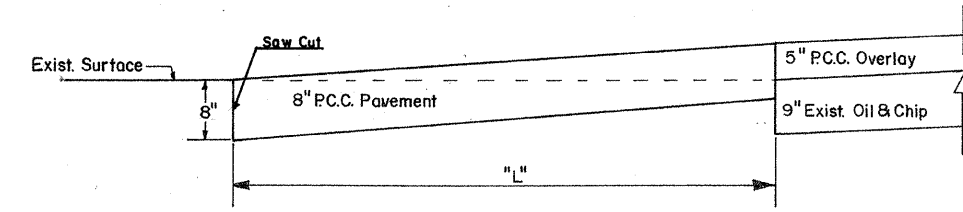
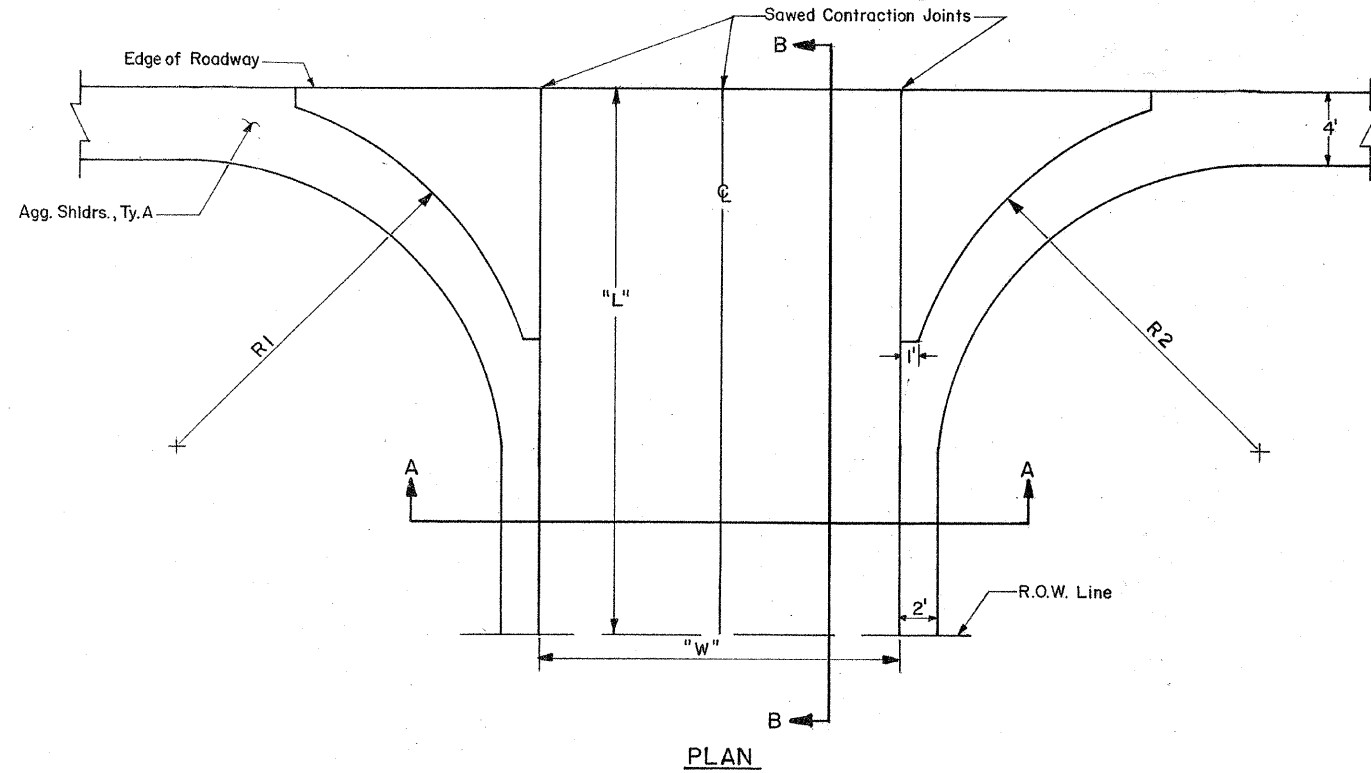


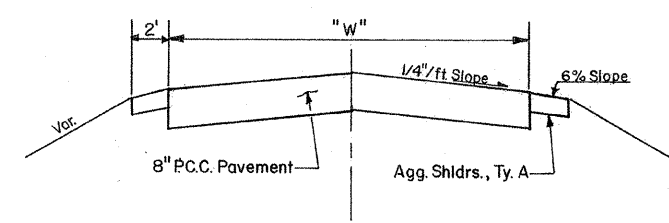
PROPOSED TYPICAL SIDEROAD



SECTION B-B

SIDE ROAD SCHEDULE

STATION	O/S	TYPE	PCC PVT. - 8" (SQ. YD.)	AGG. SHOULDER (TON)	WIDTH "W"	LENGTH "L"	RADIUS "R1"	RADIUS "R2"
11+05	RT	S.R.	34.1	3.0	14	15	15	15
14+59	RT	S.R.	34.1	3.0	14	15	15	15
16+51	LT	S.R.	91.0	5.0	18	30	30	20
19+96	LT	S.R.	112.4	5.0	20	35	15	35
23+60	RT	S.R.	54.6	4.0	16	20	20	20
23+60	LT	S.R.	50.2	4.0	14	20	20	20
30+33	LT	S.R.	116.5	5.0	20	35	35	30
30+33	RT	S.R.	128.4	6.0	20	35	35	30
34+15	LT	S.R.	97.7	5.0	20	30	30	20
34+15	RT	S.R.	74.3	5.0	16	25	25	25
38+07	LT	S.R.	63.3	4.0	14	25	25	20
38+07	RT	S.R.	57.8	4.0	12	25	20	25
41+28	LT	S.R.	116.5	5.0	20	35	35	20
41+28	RT	S.R.	128.4	6.0	20	35	30	35
45+25	LT	S.R.	54.6	4.0	16	20	20	20
45+25	RT	S.R.	54.6	4.0	16	20	20	20
49+16	LT	S.R.	68.7	5.0	14	25	25	25
49+16	RT	S.R.	140.6	7.0	18	40	30	40
TOTALS =			1477.8	84.0				



SECTION A-A

SHELBY COUNTY
P.C.C. OVERLAY
DETAILS