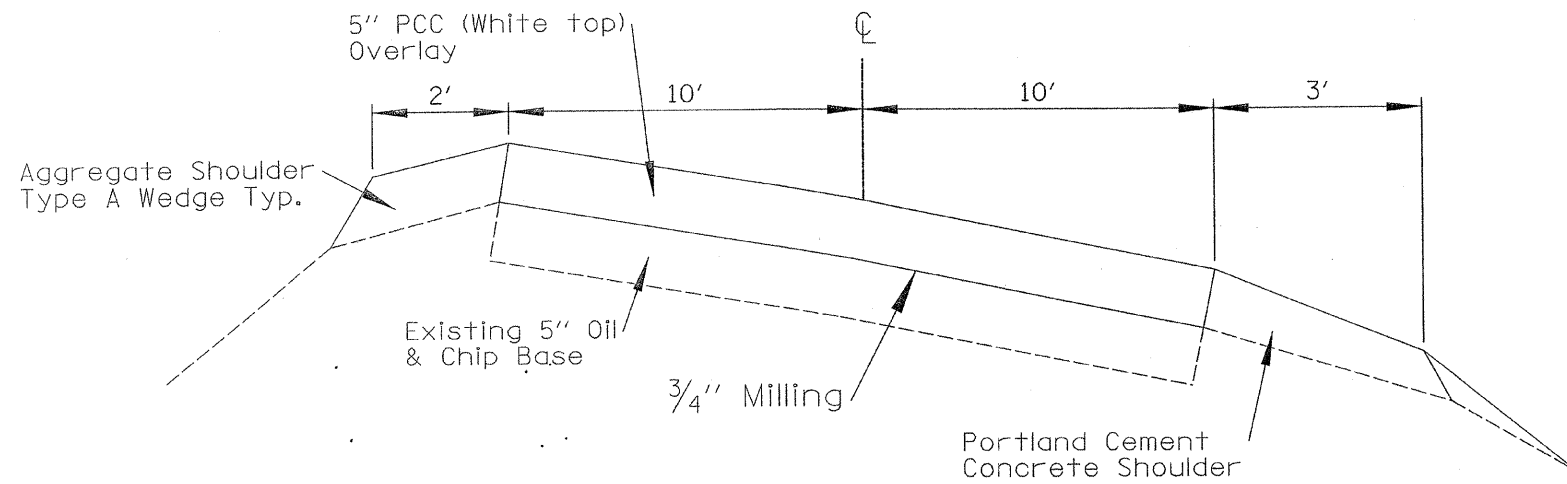


RTE.	SECTION	COUNTY	TOTAL SHEETS	SHEET NO.
*	00-002200-06-RS	SHELBY	19	5
PROJECT NO. ARA - 0713 (111)				
* FAS - 713				

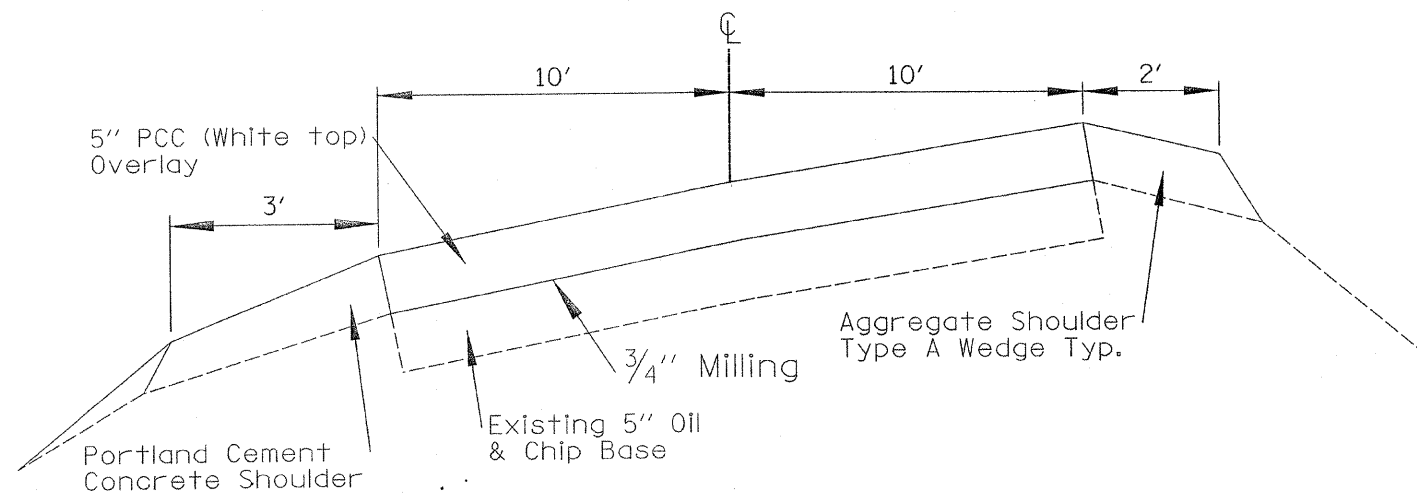


Proposed Typical Section

STA 15+04.67 TO STA 21+00.67

CURVE #1

PI STA = 18+58.00
 $\Delta = 90^\circ 46' 16''$
 R = 250.00
 T = 253.39
 E = 105.95
 D = $22^\circ 55' 06''$
 L = 396.06
 PC STA = 16+04.61
 PT STA = 20+00.67
 SE = 0.08 FT/FT
 TRANSITION LENGTH = 150.00'
 ATTAIN SE = 15+04.61 TO 16+54.61
 REMOVE SE = 19+50.67 TO 21+00.67



Proposed Typical Section

STA 23+62.04 TO STA 29+56.18

CURVE #2

PI STA = 27+13.48
 $\Delta = 90^\circ 19' 46''$
 R = 250.00
 T = 251.44
 E = 104.57
 D = $22^\circ 55' 06''$
 L = 394.14
 PC STA = 24+62.04
 PT STA = 28+56.18
 SE = 0.08 FT/FT
 TRANSITION LENGTH = 150.00'
 ATTAIN SE = 23+62.04 TO 25+12.04
 REMOVE SE = 28+06.18 TO 29+56.18

Portland Cement Concrete Shoulder - 5"		
STA. to STA.	O/S	Quantity
15+04.67 to 21+00.67	10' RT to 13' RT	199
23+62.04 to 29+56.18	10' LT to 13' LT	198
	Total	397

SHELBY COUNTY
 IN TOWN TOWER HILL
 SECTION 00-00220-06-RS