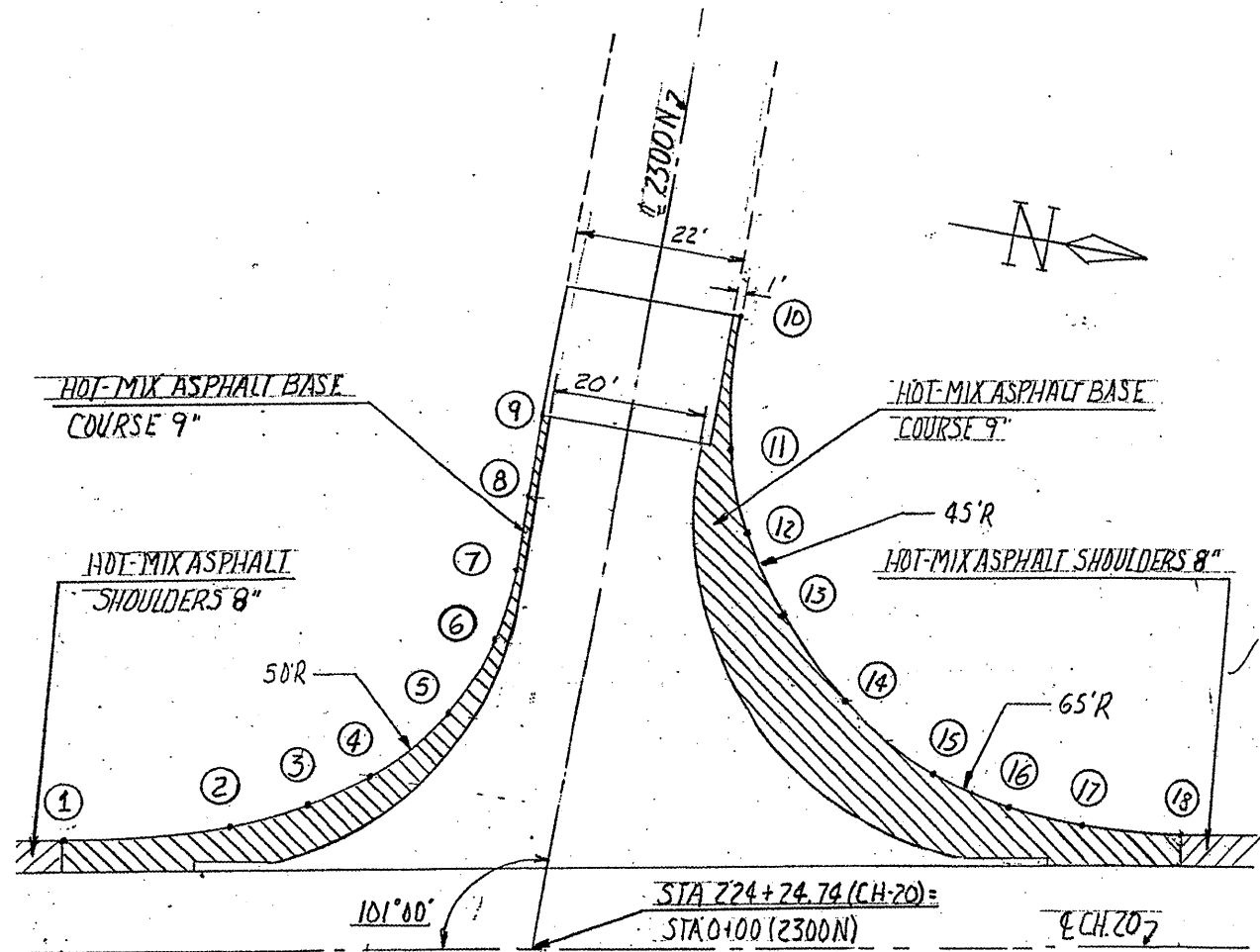


LAYOUT DETAILS FOR HMA BASE COURSE WIDENING SIDE

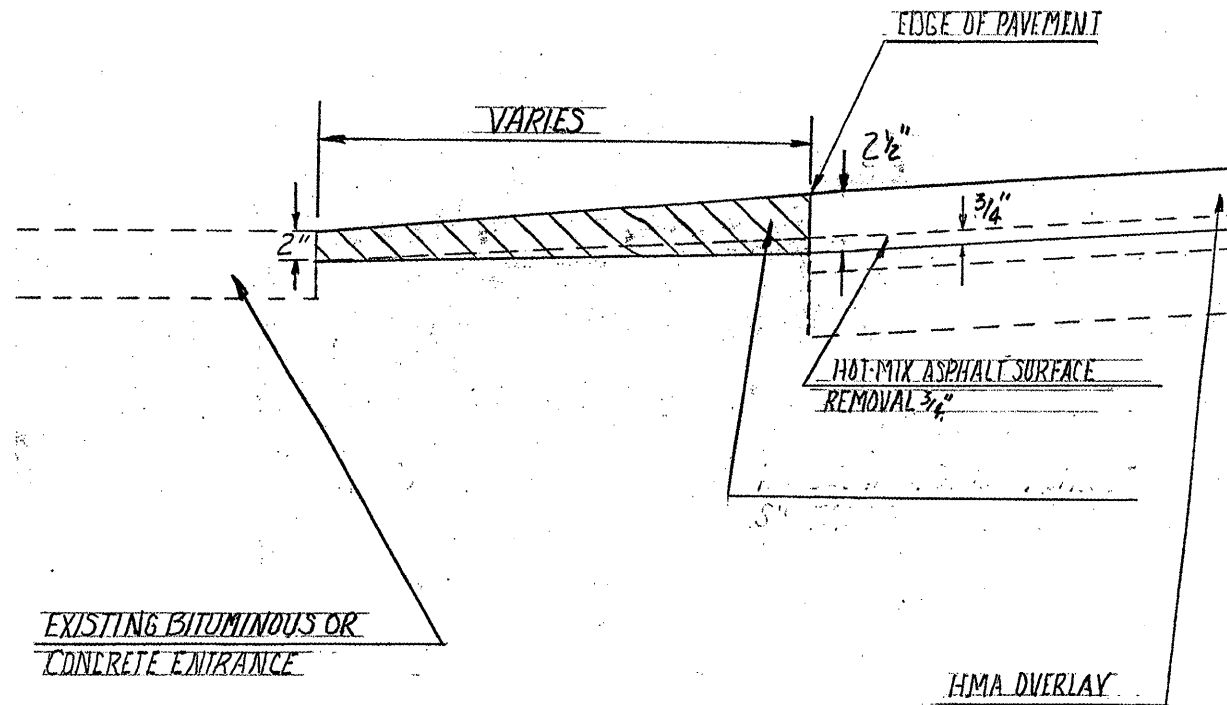
ROAD 2300 N
(LT. STA. 224+24.74)



POINT NO.	STATION LOCATION	POINT NO.	STATION LOCATION
1	15.00' LT. STA 223+64.74 CH 20	10	12.0' RT. STA 0+85.50 2300N
2	16.90' LT. STA 223+85.74 CH 20	11	15.3' RT. STA 0+87.00 2300N
3	19.50' LT. STA 223+95.74 CH 20	12	18.8' RT. STA 0+58.50 2300N
4	23.20' LT. STA 224+03.74 CH 20	13	25.5' RT. STA 0+48.50 2300N
5	17.00' LT. STA 0+28.50 2300N	14	37.0' RT. STA 0+38.5 2300N
6	12.90' LT. STA 0+38.50 2300N	15	23.0' LT. STA 124+77.74 CH 20
7	11.20' LT. STA 0+48.50 2300N	16	19.0' RT. STA 124+87.74 CH 20
8	17.00' LT. STA 0+58.50 2300N	17	16.7' LT. STA 124+97.74 CH 20
9	11.00' LT. STA 0+69.00 2300N	18	15.0' LT. STA 125+10.74 CH 20

SPECIAL DETAIL FOR HMA CONSTRUCTION

Entrance Lt. Station 80+45
Entrance Lt. Station 122+96



Prepared by: Vermilion County Highway Dept. 2732 Batestown Road Oakwood, Illinois 61858	DENMARK RD. (C.H. 20) 2009 RESURFACING SECTION 07-00160-00-RS	SHEET 48
		OF 76
		June 29, 2009