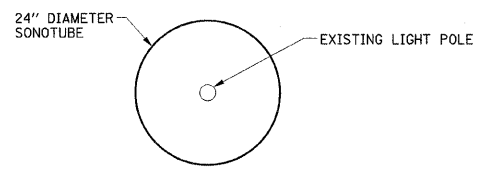
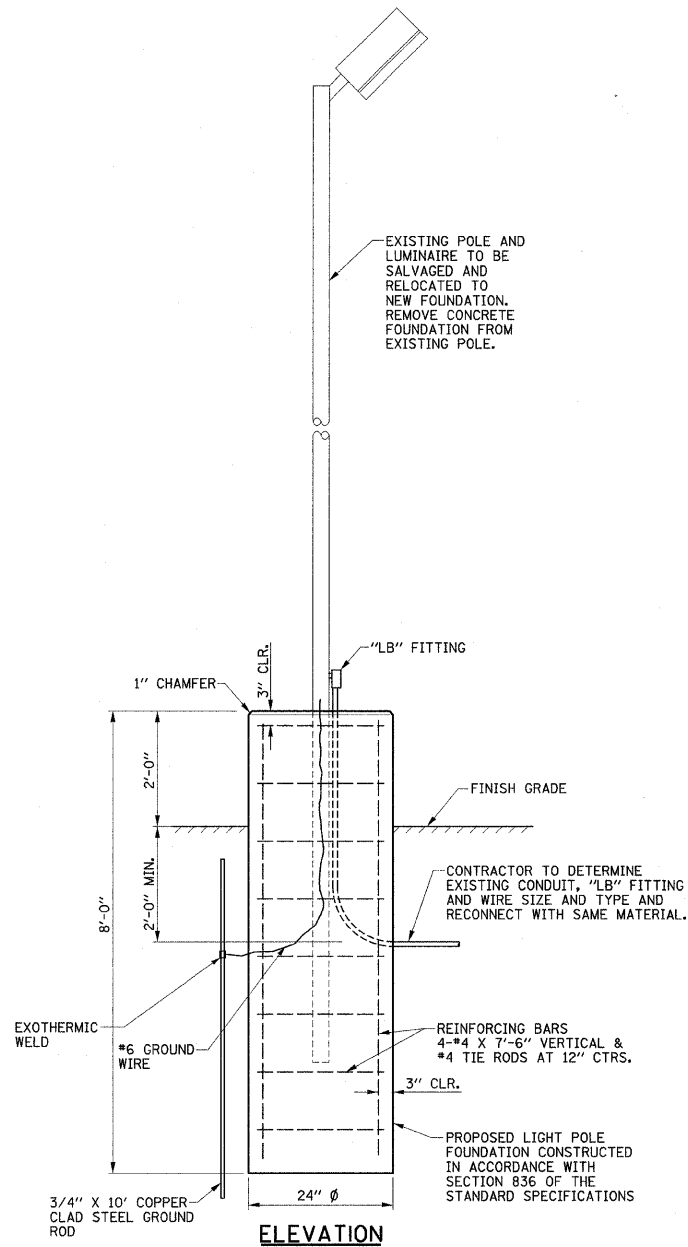
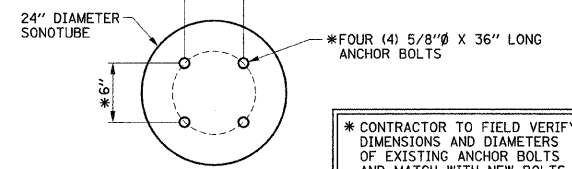
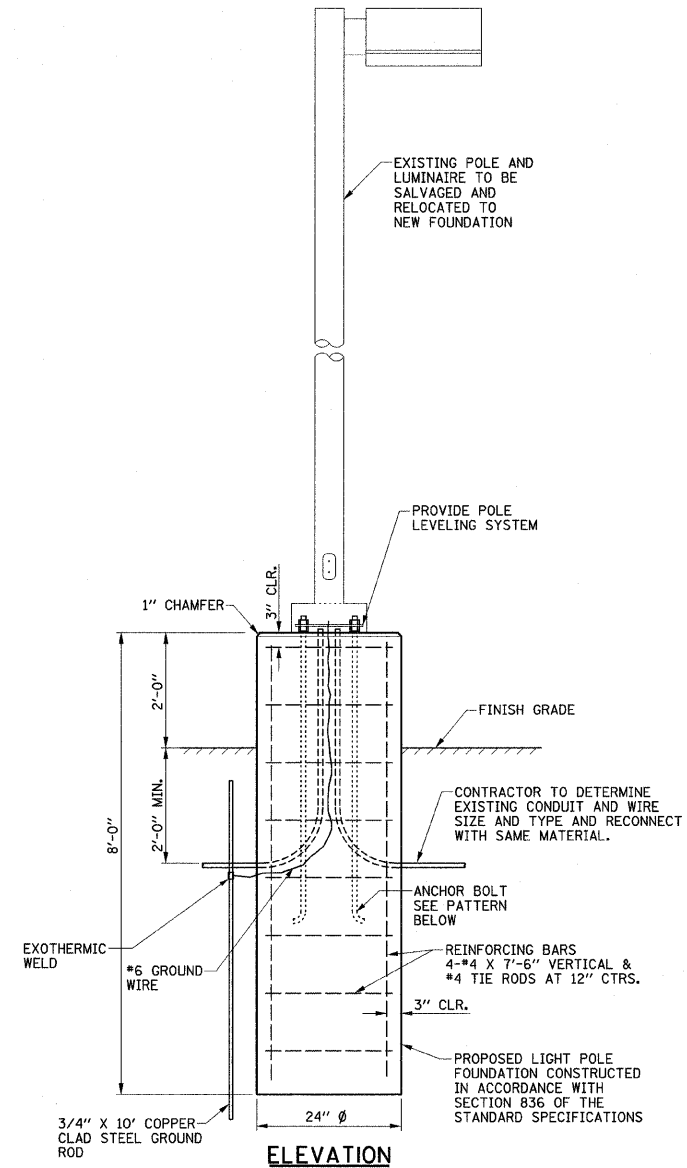


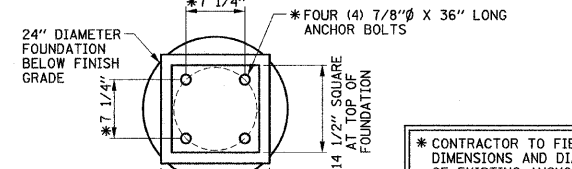
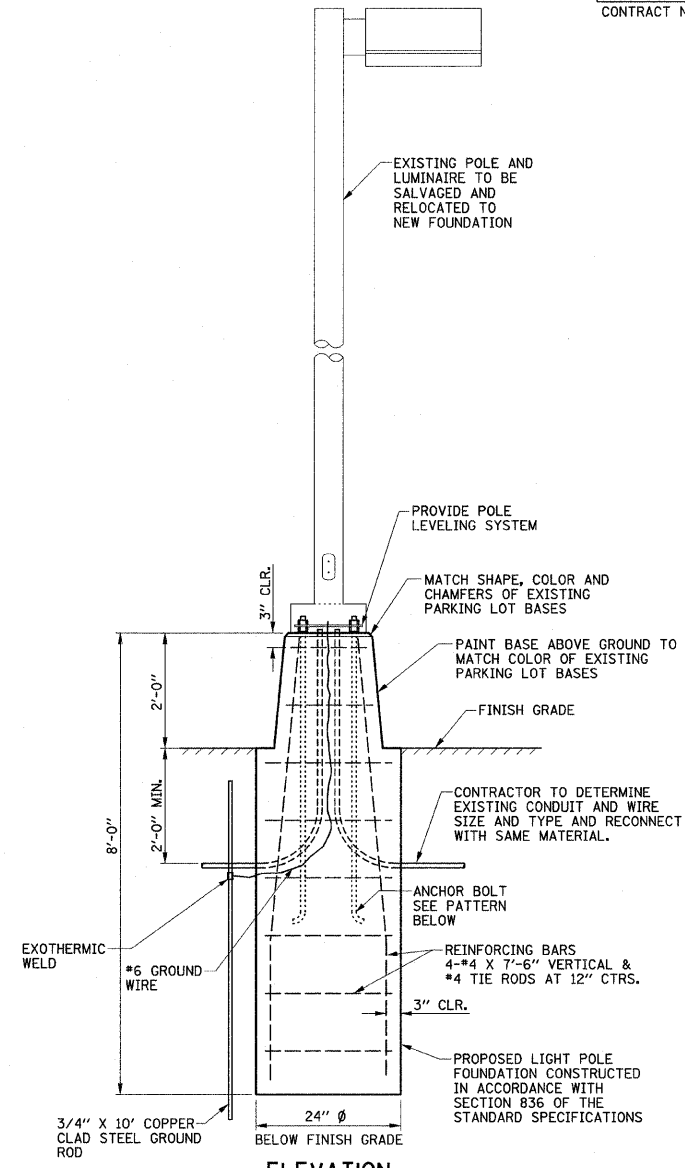
F.A.U. RTE.	SECTION	COUNTY	TOTAL SHEETS	SHEET NO.
6371	93-00295-03-PV	MCLEAN	109	92
STA.		TO STA.		
ILLINOIS F.A. PROJ. NO. M-5227(046)				
CONTRACT NO. 91351				



TOP VIEW
LIGHT POLE FOUNDATION DETAIL
STA. 252+30, 62.0' LT.
 NO SCALE



TOP VIEW
LIGHT POLE FOUNDATION DETAIL
STA. 259+08, 48.0' RT.
 NO SCALE



TOP VIEW
LIGHT POLE FOUNDATION DETAIL
STA. 299+77, 67.5' LT.
 NO SCALE

FOUNDATION GENERAL NOTES

THE LIGHT POLE FOUNDATION WILL BE PAID FOR AT THE CONTRACT UNIT PRICE EACH FOR LIGHT POLE FOUNDATION (SPECIAL) WHICH SHALL INCLUDE ALL MATERIALS AND LABOR INCLUDING CONCRETE, REINFORCEMENT BARS, ANCHOR BOLTS, GROUNDING AND PAINTING. THE COST OF CONSTRUCTING FOUNDATIONS OF VARIOUS SHAPES AND PAINTING WILL NOT BE PAID FOR SEPARATELY.

SALVAGING AND INSTALLING THE EXISTING LIGHT POLES AND LUMINAIRES AND FURNISHING AND INSTALLING THE CONDUITS AND WIRING WILL BE PAID FOR AS RELOCATE EXISTING LIGHTING UNIT. SEE THE SPECIAL PROVISIONS.

ILLINOIS DEPARTMENT OF TRANSPORTATION

MISCELLANEOUS DETAILS

DATE : 6-09
 DRAWN BY : J.L.B.
 CHECKED BY : R.L.H.