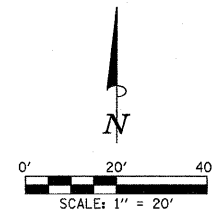
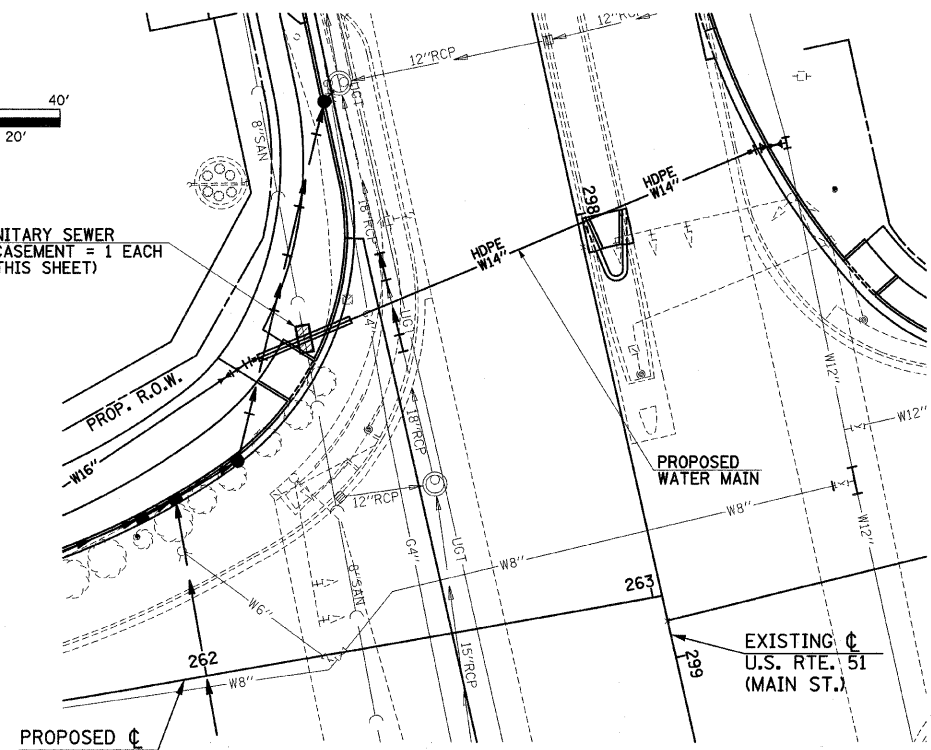


F.A.U. RTE.	SECTION	COUNTY	TOTAL SHEETS	SHEET NO.
6371	93-00295-03-PV	MCLEAN	109	79
STA.	TO STA.		ILLINOIS F.A. PROJ. NO. M-5227(046)	
CONTRACT NO. 91351				

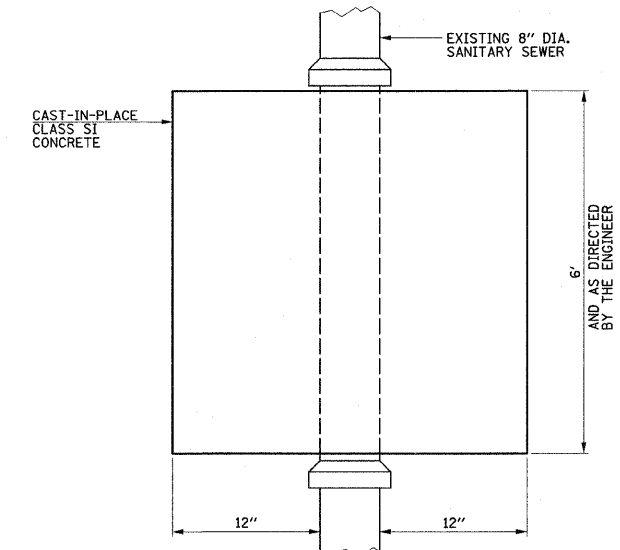


PROPOSED SANITARY SEWER
CONCRETE ENCASEMENT = 1 EACH
(SEE DETAIL THIS SHEET)

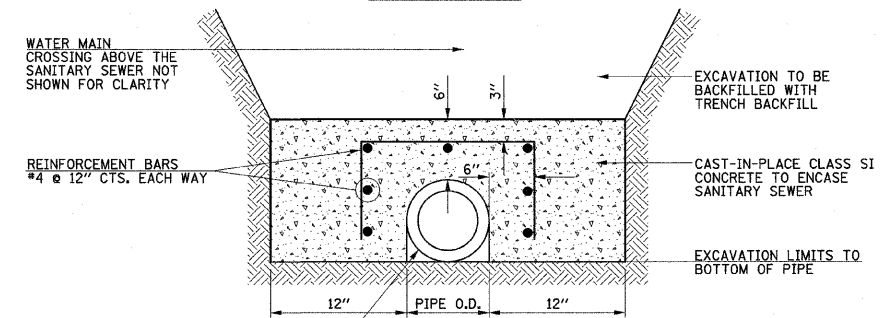


PLAN
HAMILTON RD. & MAIN ST.

- NOTES**
1. THE CONCRETE ENCASEMENT SHALL BE CONSTRUCTED PRIOR TO INSTALLING THE STORM SEWER PIPE AND WATER MAIN TO TO PREVENT DAMAGE OF COLLAPSING THE SANITARY SEWER.
 2. SEE THE SPECIAL PROVISIONS FOR ADDITIONAL REQUIREMENTS AND THE METHOD OF PAYMENT.

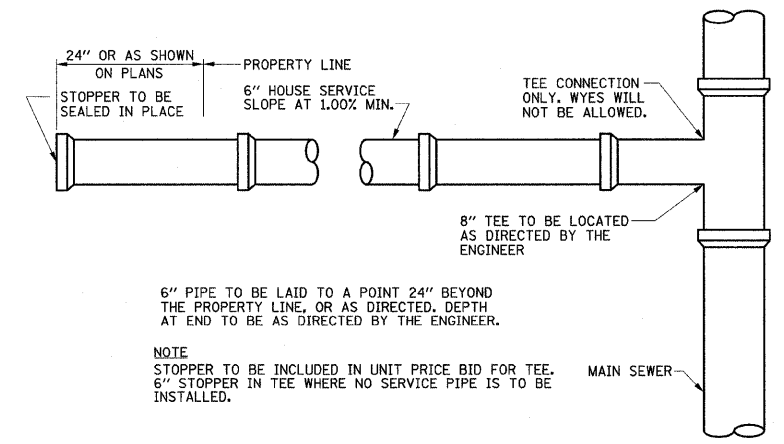


PLAN DETAIL

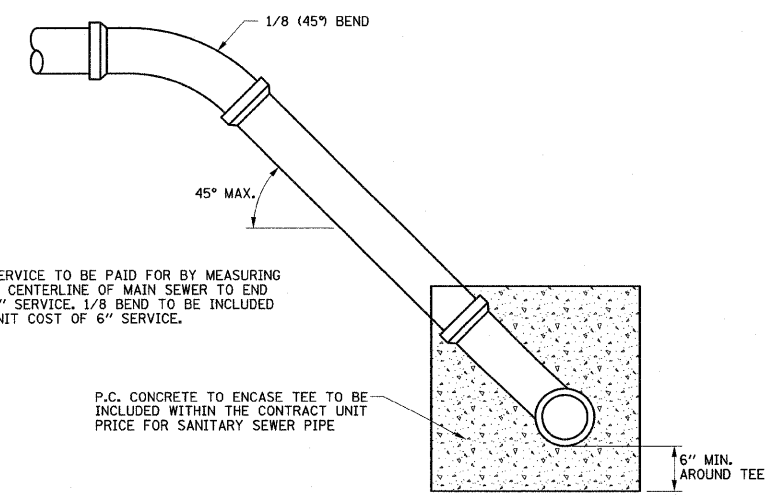


SECTION

SANITARY SEWER ENCASEMENT DETAIL



TYPICAL HOUSE SERVICE



NOTE
6" SERVICE TO BE PAID FOR BY MEASURING FROM CENTERLINE OF MAIN SEWER TO END OF 6" SERVICE. 1/8 BEND TO BE INCLUDED IN UNIT COST OF 6" SERVICE.

TYPICAL CONNECTION OVER 12' DEEP

ILLINOIS DEPARTMENT OF TRANSPORTATION

SANITARY SEWER DETAILS

DATE : 6-09
DRAWN BY : J.L.B.
CHECKED BY : R.L.H.

SCALE : NONE