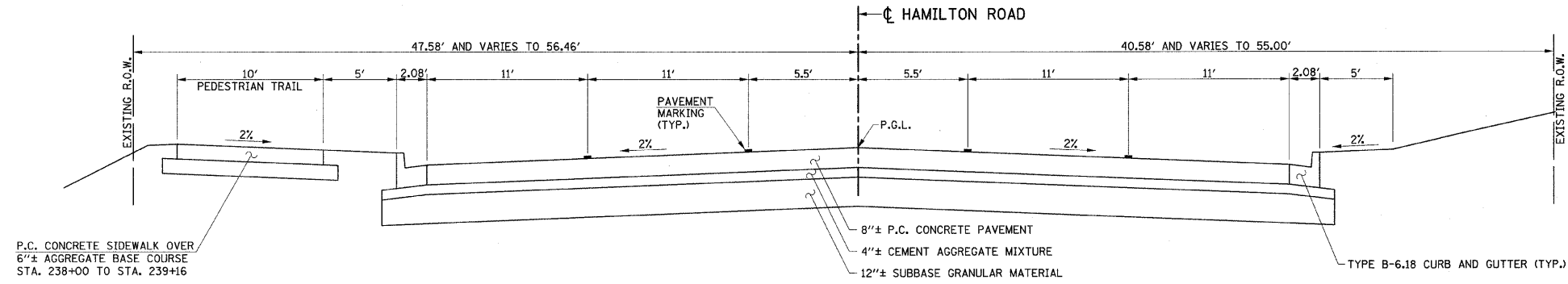
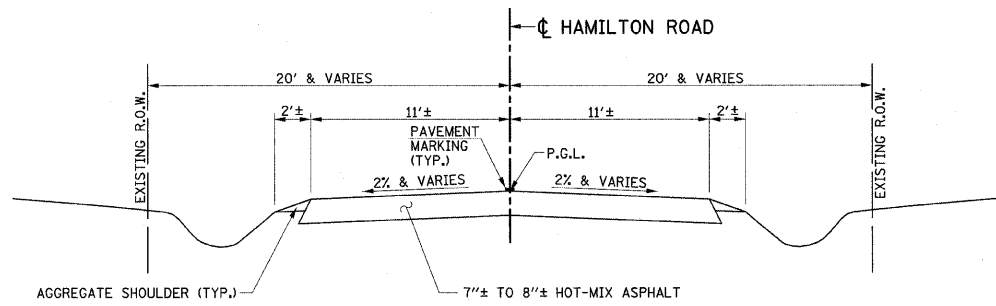


F.A.J. RTE.	SECTION	COUNTY	TOTAL SHEETS	SHEET NO.
6371	93-00295-03-PV	MCLEAN	109	13
STA.		TO STA.		
		ILLINOIS F.A. PROJ. NO. M-5227(046)		
CONTRACT NO. 91351				



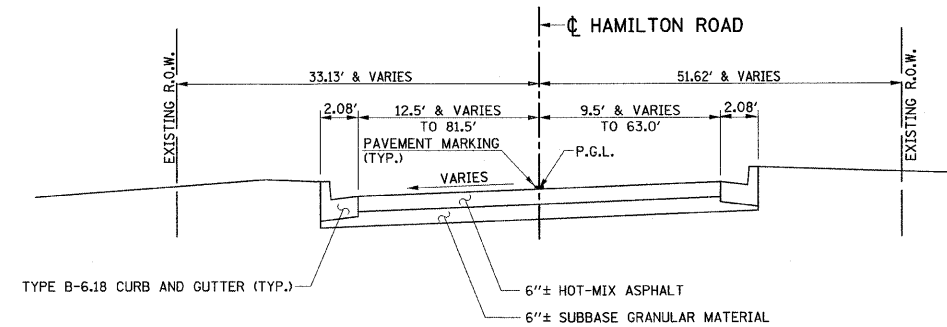
**EXISTING TYPICAL CROSS SECTION
HAMILTON ROAD**

STA. 238+00.00 TO STA. 240+90.00
(TYPICAL SECTION SHOWN IS ALONG THE PROPOSED CENTERLINE OF HAMILTON RD, AS CONSTRUCTED IN SECTION NO. 93-00295-02-PV)



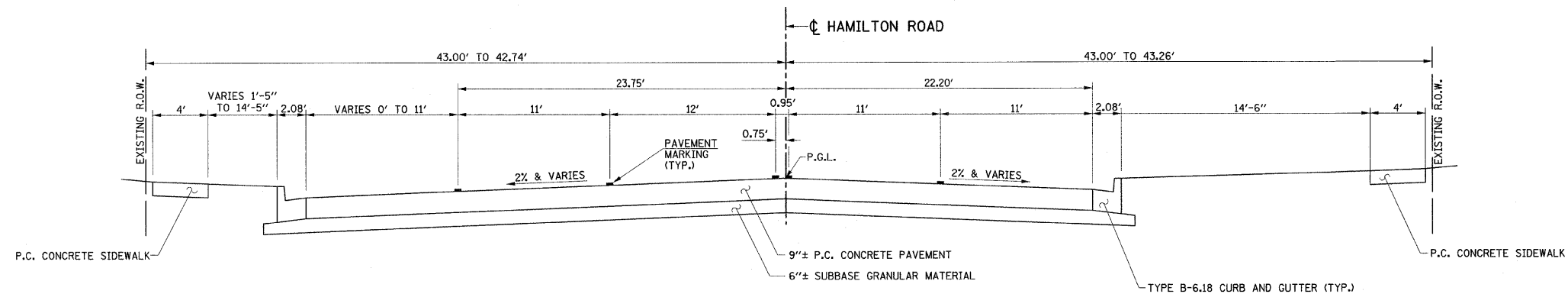
**EXISTING TYPICAL CROSS SECTION
HAMILTON ROAD**

STA. 240+90.00 TO STA. 260+15
(TYPICAL SECTION SHOWN IS ALONG THE CENTERLINE OF EXISTING HAMILTON RD.)



**EXISTING TYPICAL CROSS SECTION
HAMILTON ROAD**

STA. 260+15 TO STA. 262+67.00
(TYPICAL SECTION SHOWN IS ALONG THE CENTERLINE OF EXISTING HAMILTON RD.)



**EXISTING TYPICAL CROSS SECTION
HAMILTON ROAD**

STA. 500+34.95 TO STA. 505+00
(TYPICAL SECTION SHOWN IS ALONG THE CENTERLINE OF EXISTING HAMILTON RD.)

NOTE
THE EXISTING PAVEMENT TYPES AND THICKNESSES WERE TAKEN FROM EXISTING PLANS AND FROM PAVEMENT CORES AND REPRESENT THE BEST AVAILABLE INFORMATION. NO ADDITIONAL COMPENSATION WILL BE ALLOWED FOR PAVEMENT REMOVAL ITEMS DUE TO VARIATIONS IN PAVEMENT TYPES OR THICKNESSES.

SEE HORIZONTAL ALIGNMENT LAYOUT AND CONTROL SHEET FOR LOCATIONS OF EXISTING R.O.W. AND EXISTING PERMANENT EASEMENTS.

ILLINOIS DEPARTMENT OF TRANSPORTATION

**EXISTING TYPICAL SECTIONS
HAMILTON ROAD**

DATE : 6-09
DRAWN BY : J.L.B.
CHECKED BY : R.L.H.

SCALE : NONE