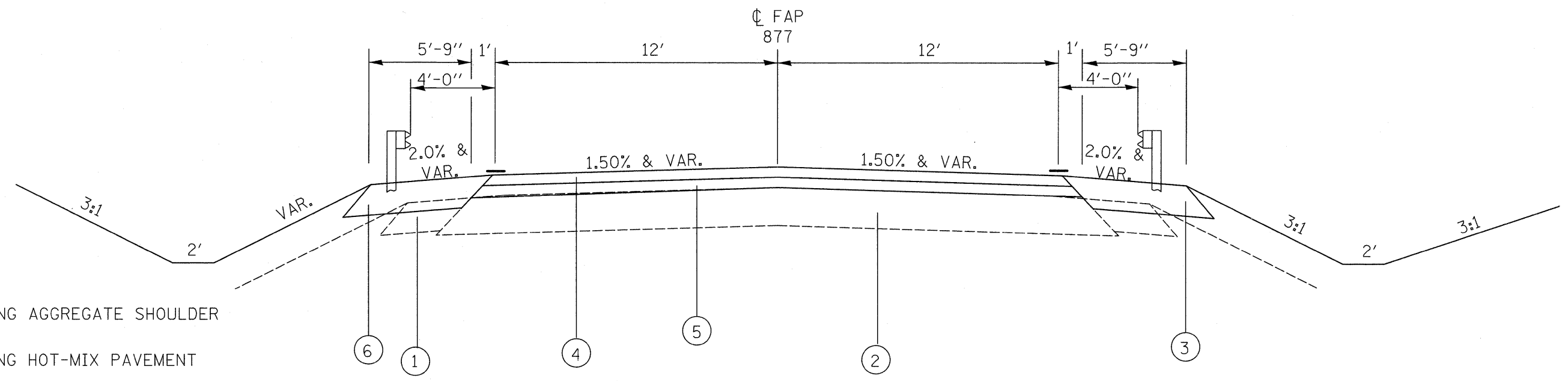


- ① EXISTING AGGREGATE SHOULDER
- ② EXISTING HOT-MIX PAVEMENT
- ③ PROPOSED HOT-MIX ASPHALT SHOULDER, 8"
- ④ HOT MIX ASPHALT SURFACE COURSE, 1 1/4"
- ⑤ HOT MIX ASPHALT BINDER COURSE, 1 1/2"
- ⑥ PROPOSED HOT-MIX ASPHALT SHOULDER, 10"

TO BE USED
 STA. 238+49.95 TO 238+96.73

*EXISTING 13' PAVEMENT STRIPED 12' LANES



- ① EXISTING AGGREGATE SHOULDER
- ② EXISTING HOT-MIX PAVEMENT
- ③ PROPOSED HOT-MIX ASPHALT SHOULDER, 8"
- ④ HOT MIX ASPHALT SURFACE COURSE, 1 1/4"
- ⑤ HOT MIX ASPHALT BINDER COURSE, 1 1/2"
- ⑥ PROPOSED HOT-MIX ASPHALT SHOULDER, 10"

TO BE USED
 STA. 240+73.31 TO 241+23.71

FILE NAME =	USER NAME = #USER*	DESIGNED -	REVISED -	STATE OF ILLINOIS DEPARTMENT OF TRANSPORTATION	TYPICAL SECTIONS			F.A. RTE.	SECTION	COUNTY	TOTAL SHEETS	SHEET NO.
#FILE#	PLOT SCALE = #SCALE*	DRAWN -	REVISED -					877	101B-1	WHITE	42	6
	PLOT DATE = #DATE*	CHECKED -	REVISED -		SCALE:	SHEET NO.	OF SHEETS	STA.	TO STA.	CONTRACT NO. 78084		
		DATE -	REVISED -					FED. ROAD DIST. NO. ILLINOIS FED. AID PROJECT				