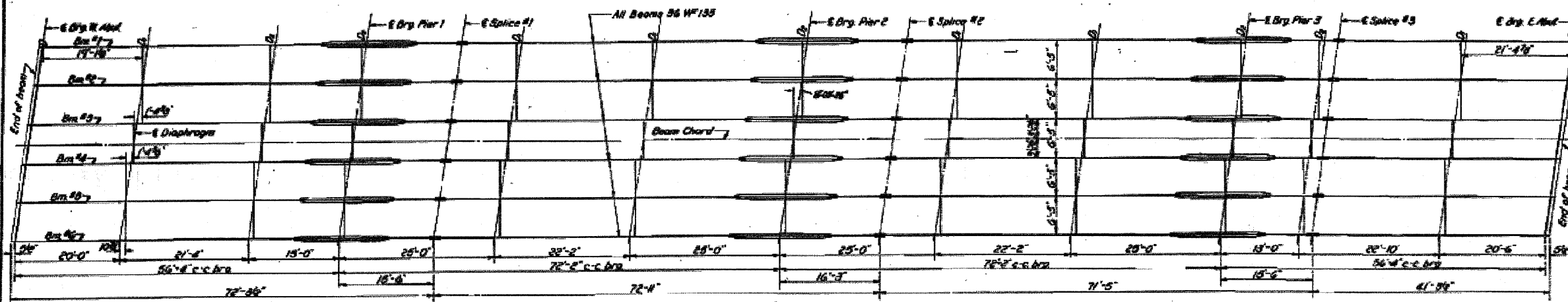


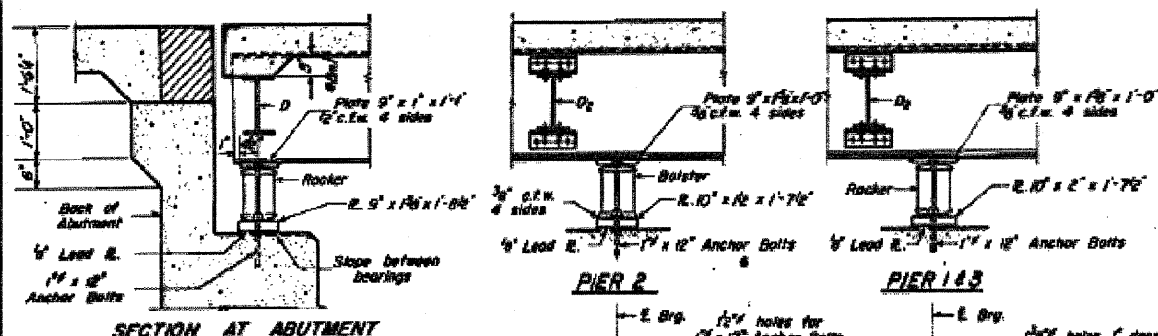
STATE OF ILLINOIS
DEPARTMENT OF PUBLIC WORKS & BUILDINGS
DIVISION OF HIGHWAYS

NO.	DATE	BY	CHKD.	APP'D.
1	12-1-58	BUREAU	21	28
2	12-1-58		12	12

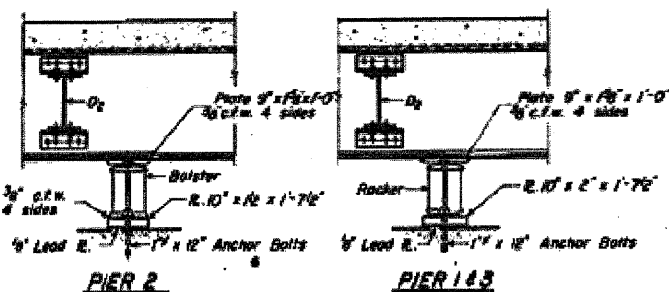
8 SHEETS



PLAN OF STRUCTURAL STEEL

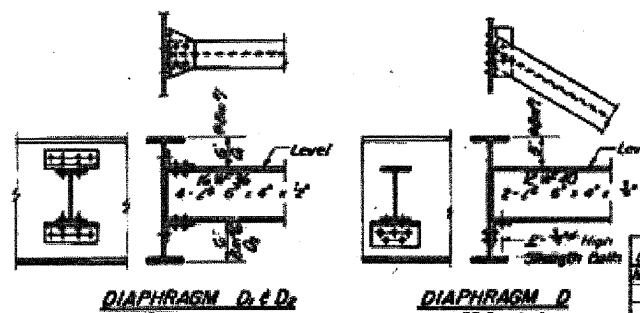


SECTION AT ABUTMENT



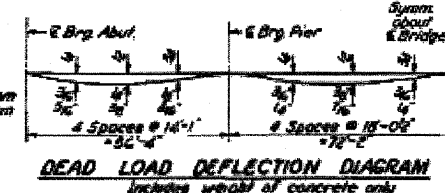
PIER 2

PIER 143



DIAPHRAGM D1, D2

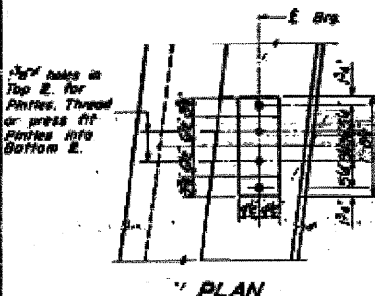
DIAPHRAGM D



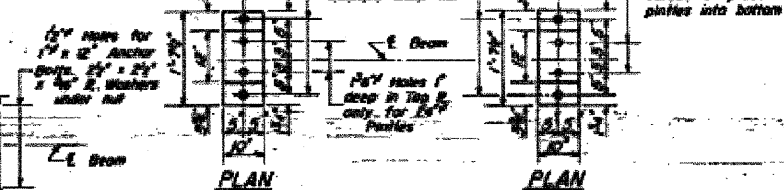
DEAD LOAD DEFLECTION DIAGRAM
Includes weight of concrete only

ELEVATION TOP OF BEAMS

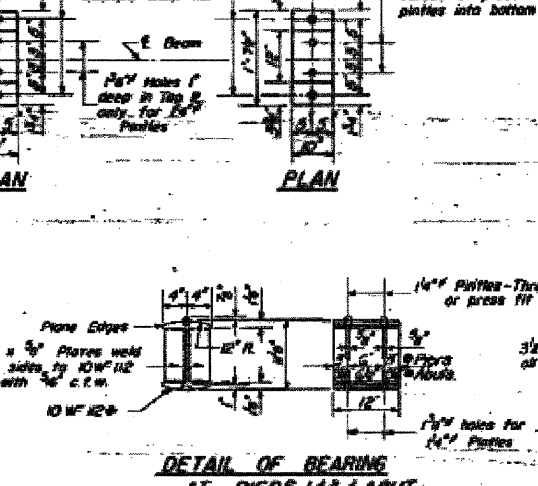
Beam Location	Span 1	Span 2	Span 3	Span 4	Span 5	Span 6	Span 7
1. Structure 1	G4763	G4760	G4759	G4753	G4750	G4750	G4749
2	G4770	G4766	G4763	G4761	G4760	G4757	G4756
3	G4776	G4772	G4771	G4767	G4766	G4762	G4761
4	G4782	G4779	G4777	G4774	G4772	G4769	G4765
5	G4789	G4785	G4784	G4780	G4779	G4775	G4771
6	G4795	G4791	G4790	G4786	G4784	G4781	G4778
7. Structure 2	G4762	G4759	G4759	G4756	G4752	G4751	G4749
8	G4766	G4763	G4763	G4760	G4756	G4757	G4755
9	G4772	G4770	G4771	G4768	G4766	G4764	G4762
10	G4778	G4776	G4777	G4774	G4771	G4770	G4768
11	G4784	G4784	G4784	G4781	G4780	G4777	G4776
12	G4790	G4789	G4790	G4786	G4784	G4783	G4781



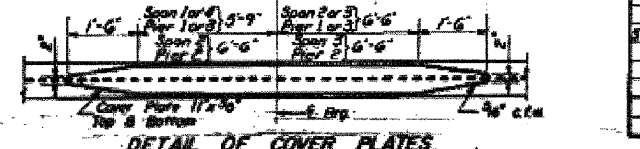
PLAN



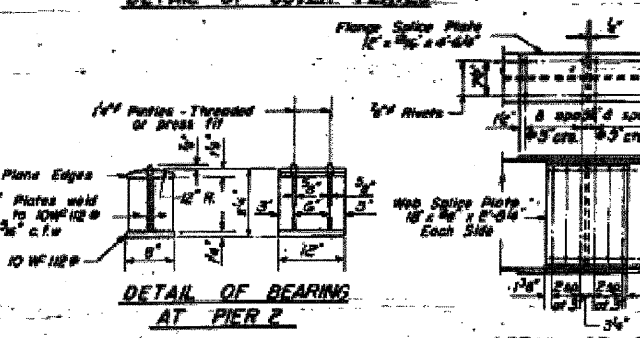
DETAIL OF PINTLE



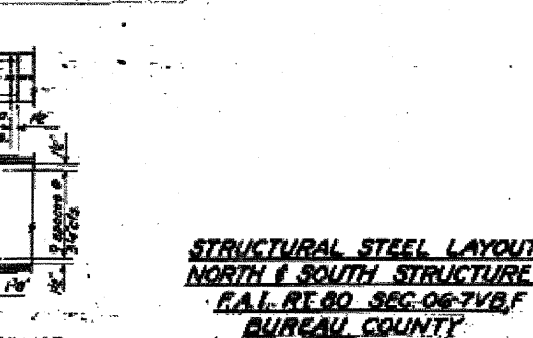
DETAIL OF BEARING AT PIERS 143 ABUT



DETAIL OF COVER PLATES



DETAIL OF BEARING AT PIER 2



DETAIL OF SPLICE

STRUCTURAL STEEL LAYOUT
NORTH & SOUTH STRUCTURE
R.A.I. RE. 80. SEC. 06-TVB.F
BUREAU COUNTY
STA. 1762+49.41

DESIGNED BY: M. J. ...
CHECKED BY: ...
DATE: APR 23 1961