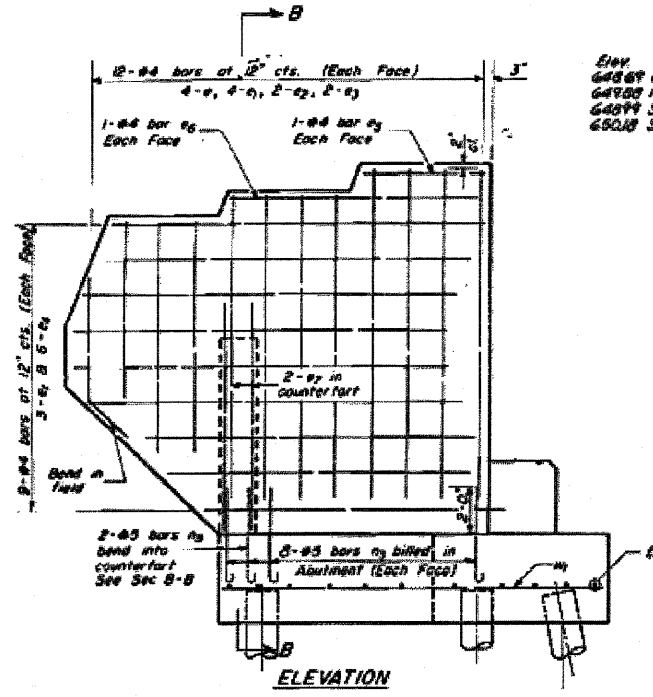
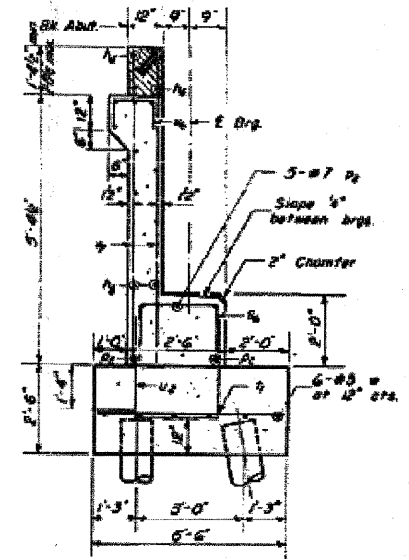
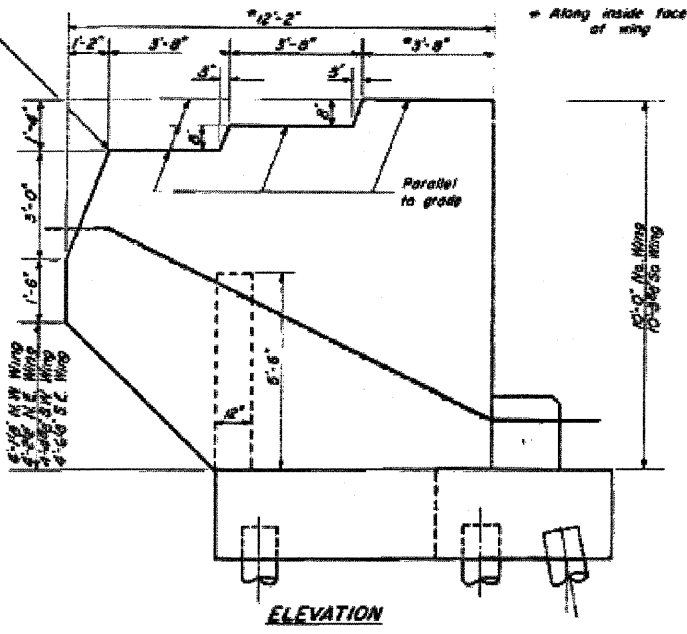


STATE OF ILLINOIS
DEPARTMENT OF PUBLIC WORKS & BUILDINGS
DIVISION OF HIGHWAYS

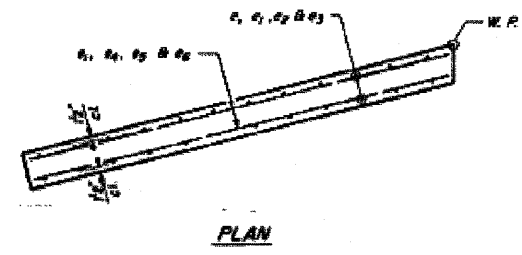
DATE	BY	CHKD	APP'D
11-1-60	DL-184	BUREAU	4E
			11
			13 SHEETS



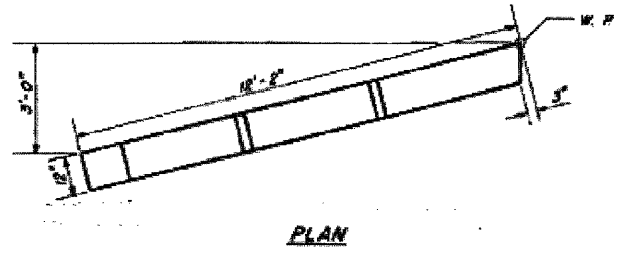
Elev
64888 NW Wing
64900 NE Wing
64914 SW Wing
65018 SE Wing



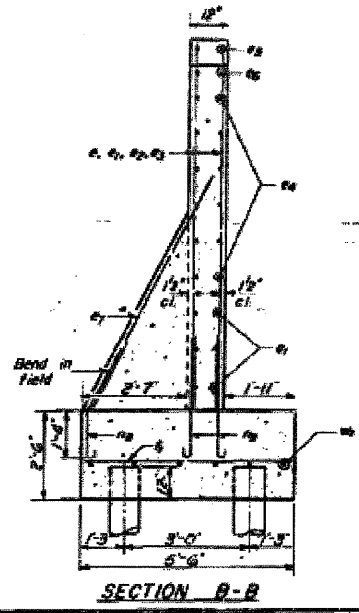
SECTION A-A



PLAN



PLAN



SECTION B-B

ONE END POST
BILL OF MATERIAL

Bar	No.	Size	Length	Shape
1	8	#4	9'-3"	---
2	16	#4	8'-6"	---
3	4	#4	6'-6"	---
4	4	#4	5'-0"	---
5	12	#4	10'-6"	---
6	2	#4	3'-6"	---
7	2	#4	7'-0"	---
8	2	#5	7'-0"	---

* Class X Concrete Cu. Yds. 3.7
* Reinforcement Bars Lbs. 270

* QUANTITIES INCLUDED WITH THE QUANTITIES ON SHEET 7 OF 13.

END POST
BRIDGE OVER NEGRO CREEK
F.A.I. RT. 80 SEC. 6-7B-1
BUREAU COUNTY
STA. 1755+70

DESIGNED: James H. Ponce
CHECKED: D. J. P.
DRAWN: W. A. Schaefer
DATE: Nov 2 1960

AW-1 Drawn 1-29-60

FILE NAME =	USER NAME = breboypc	DESIGNED -	REVISED -
c:\pwwork\pwwork\breboypc\d0112640\d368	908-shd-details.DGN	DRAWN -	REVISED -
	PLOT SCALE = 50.0638' / IN.	CHECKED -	REVISED -
	PLOT DATE = Sep 07, 2009 - 01:38:37 PM	DATE -	REVISED -

STATE OF ILLINOIS
DEPARTMENT OF TRANSPORTATION

EXISTING BRIDGE PLANS (FOR INFORMATION ONLY)

SCALE: _____ SHEET NO. ___ OF ___ SHEETS STA. _____ TO STA. _____

F.A.I. RTE.	SECTION	COUNTY	TOTAL SHEETS	SHEET NO.
I-80	**	BUREAU	344	278
			66908	
[ILLINOIS] FED. AID PROJECT				

**06-[7BR&BR-1,7VB-M,6BR&6.7 RS-1 & 1