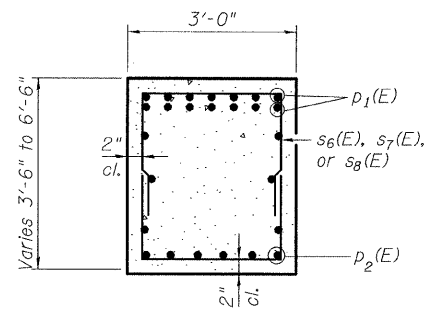
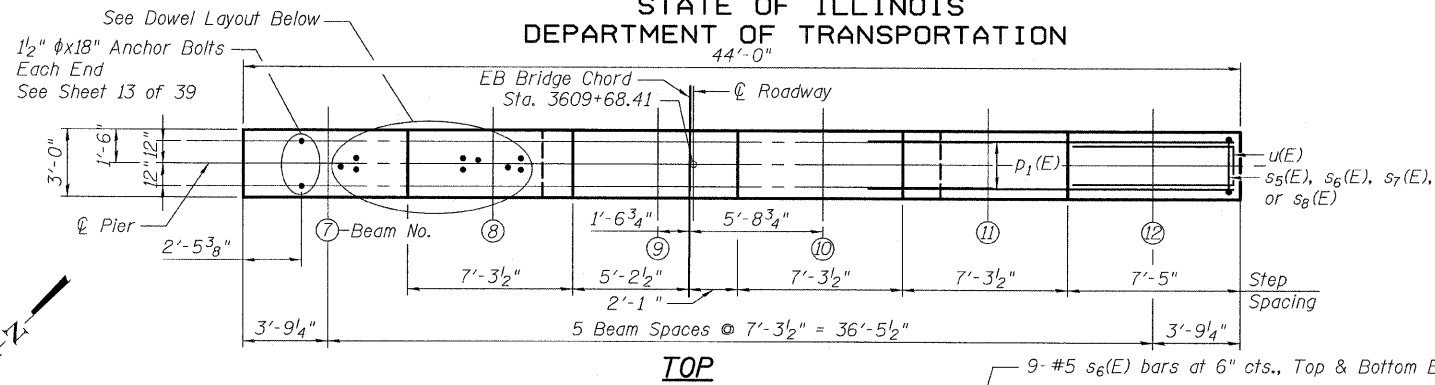


STATE OF ILLINOIS
DEPARTMENT OF TRANSPORTATION

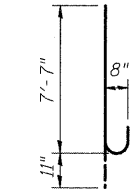
BILL OF MATERIAL



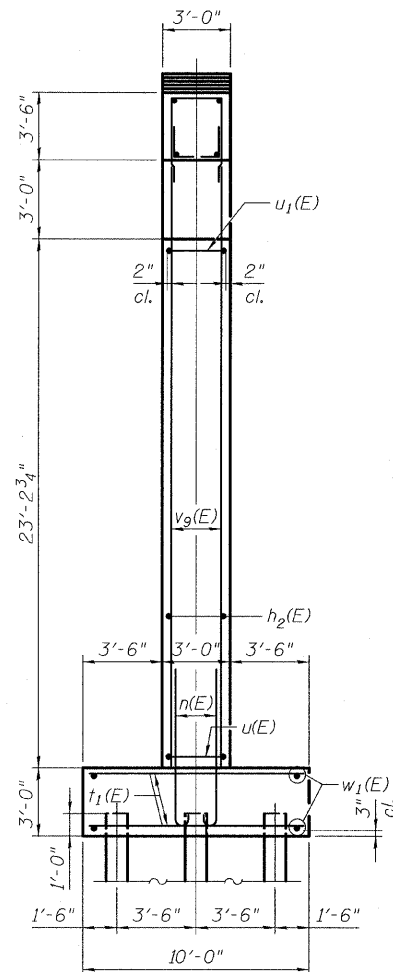
SECTION A-A



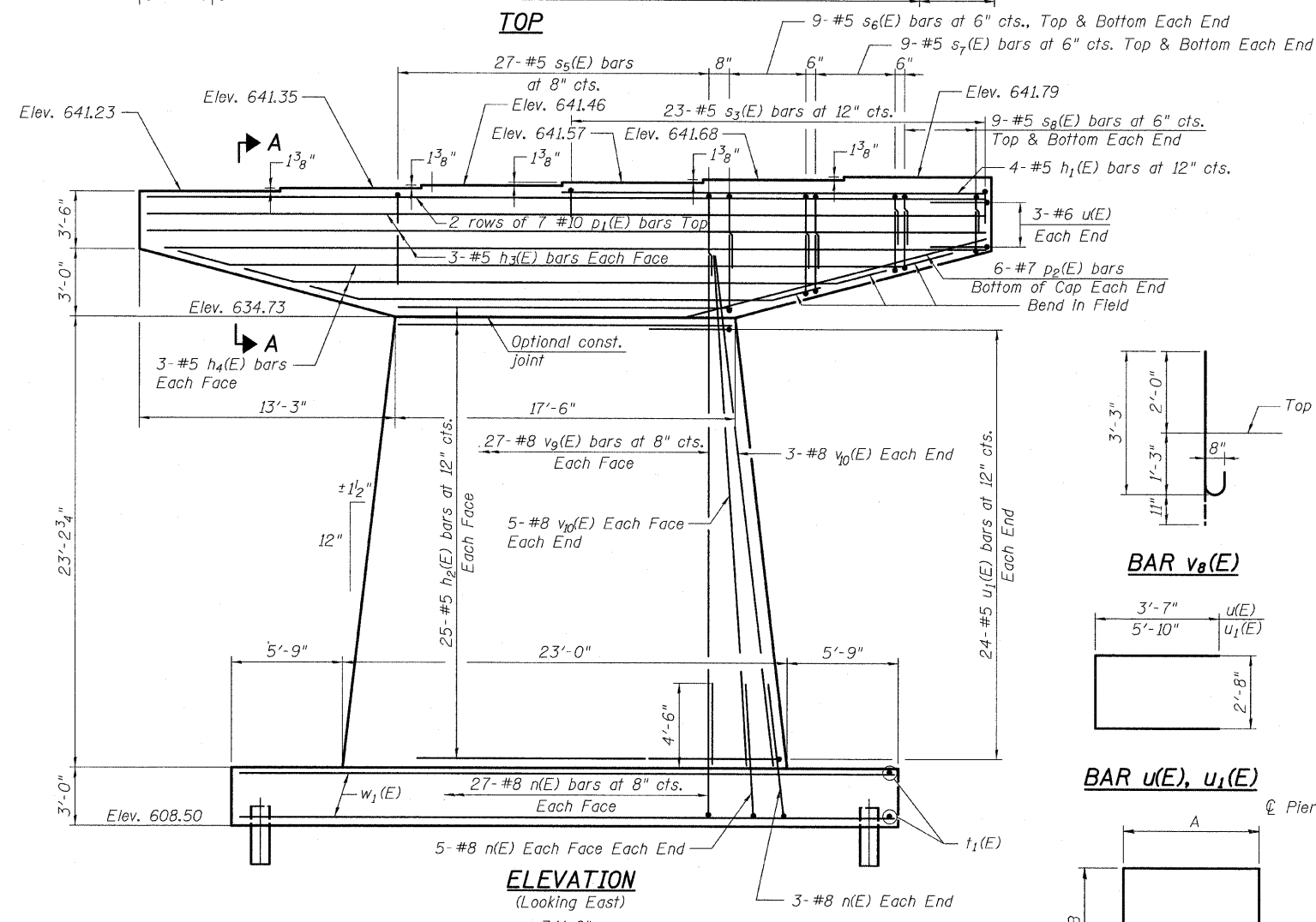
TOP



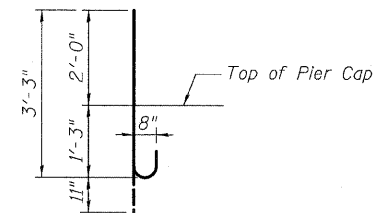
BAR n(E)



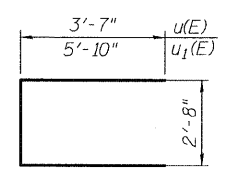
END VIEW



ELEVATION
(Looking East)



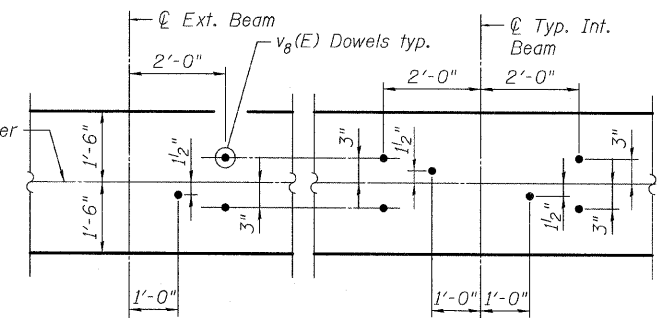
BAR v8(E)



BAR u(E), u1(E)

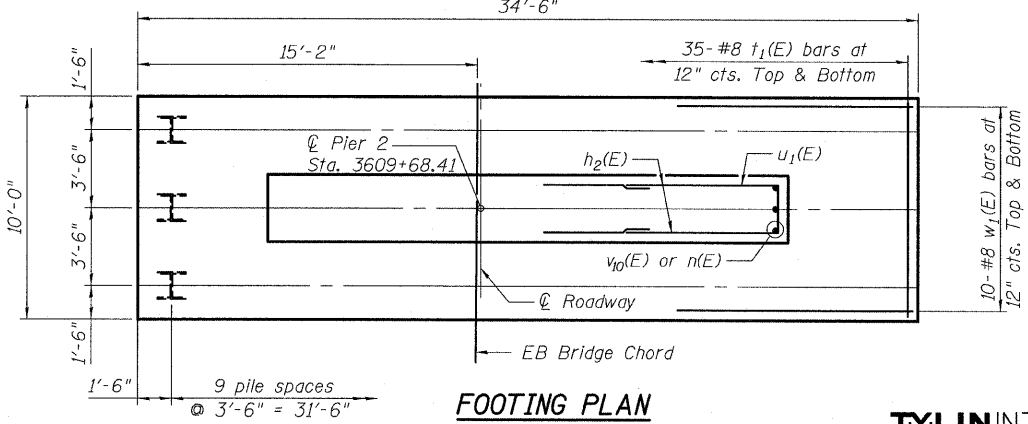
BARS s3(E), s5(E) THRU s8(E)
A & B DIMENSIONS

Bar	A	B
s3(E)	2'-8"	2'-0"
s5(E)	2'-8"	4'-6"
s6(E)	2'-8"	4'-2"
s7(E)	2'-8"	3'-8"
s8(E)	2'-8"	3'-2"



DOWEL LAYOUT

PIER 2
STRUCTURE NO. 006-0174 (EB)



FOOTING PLAN

- NOTES:**
- Space reinforcement in cap to miss anchor bolts.
 - Pour steps monolithically with cap.
 - For details of piles, see sheet 32 of 39.

PILE DATA

Type:	HP 14x73
Nominal Required Bearing:	270 kips
Allowable Resistance Available:	90 kips
Est. Length:	41'
No. Production Piles:	29 Piles
No. Test Piles:	1 Pile

DESIGNED	AD
CHECKED	PDF
DRAWN	IM
CHECKED	PDF

SHEET NO. 29	F.A. RTE. 80	SECTION *	COUNTY BUREAU	TOTAL SHEETS 34	SHEET NO. 227
39 SHEETS			CONTRACT NO. 66908		
FED. ROAD DIST. NO.		ILLINOIS		FED. AID PROJECT	

TYLIN INTERNATIONAL