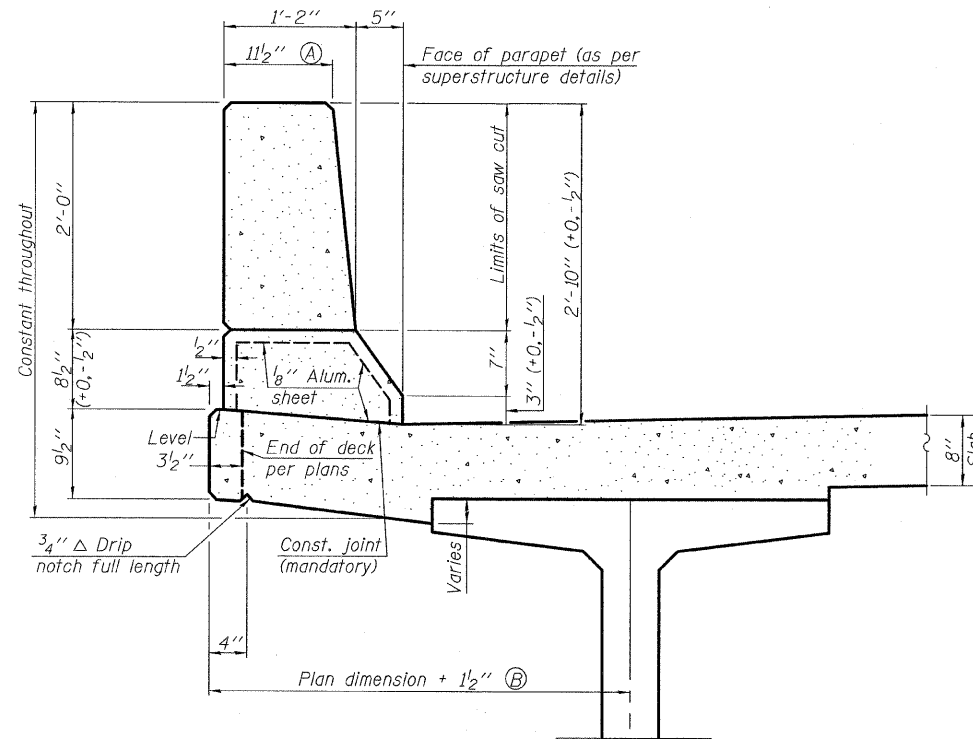


STATE OF ILLINOIS
DEPARTMENT OF TRANSPORTATION

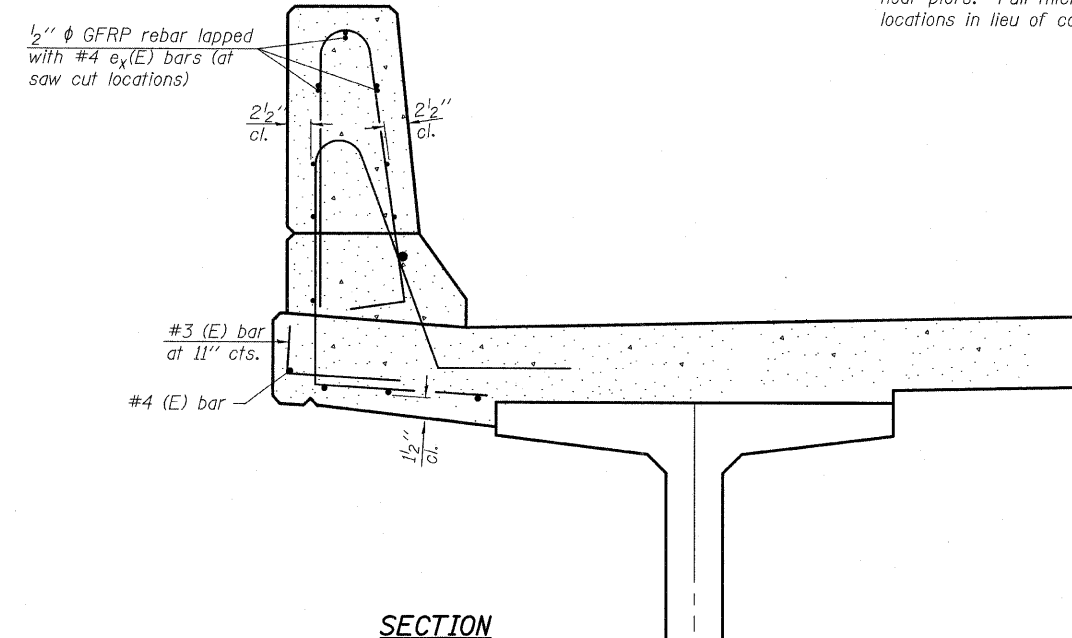
GENERAL NOTES

All dimensions shall remain the same as shown on contract plans, except dimensions A and B which are to be revised as shown to provide additional clearance. Additional concrete needed to revise dimension A and B= 0.0165 cu. yds./ft. of parapet.

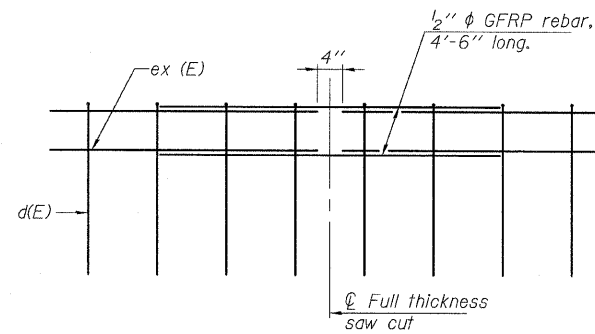
Place aluminum sheet in curb portion at and near piers. Full thickness saw cut at all joint locations in lieu of cork joint filler.



SECTION
(Showing dimensions)

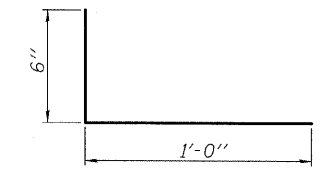


SECTION
(Showing reinforcement clearances for slip forming and additional reinforcement bars)



GFRP REBAR STIFFENING DETAIL

(Place as shown in parapet section at each parapet joint location.)



#3 (E) BAR

**CONCRETE PARAPET
SLIPFORMING OPTION**

STRUCTURE NO. 006-0174 (EB)
STRUCTURE NO. 006-0175 (WB)

DESIGNED	SP
CHECKED	DF
DRAWN	SP
CHECKED	DF

SHEET NO. 15 39 SHEETS	F.A. RTE. 80	SECTION *	COUNTY BUREAU	TOTAL SHEETS 344	SHEET NO. 213
	CONTRACT NO. 66908				
FED. ROAD DIST. NO.		ILLINOIS	FED. AID PROJECT		

TYLIN INTERNATIONAL