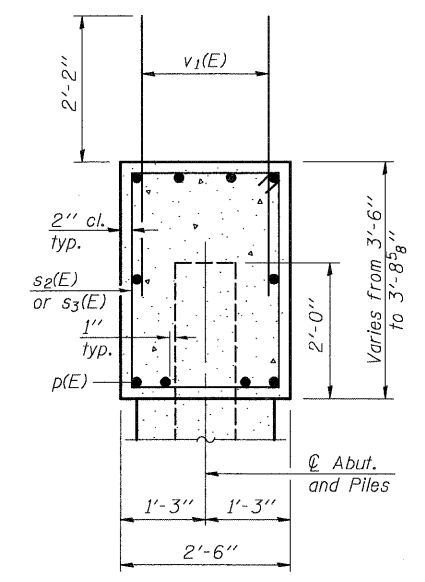
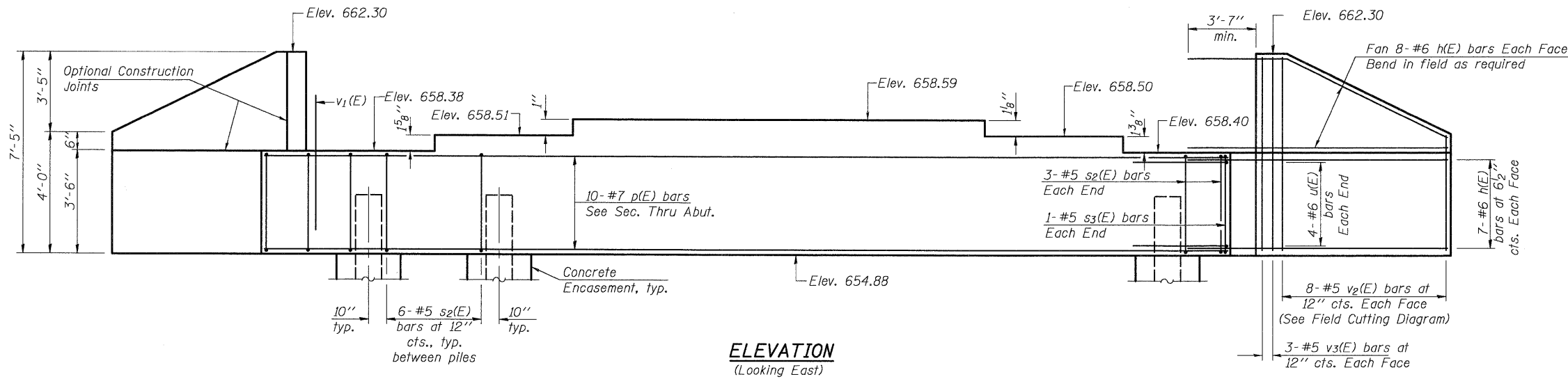


Notes:
 Pour steps monolithically with cap.

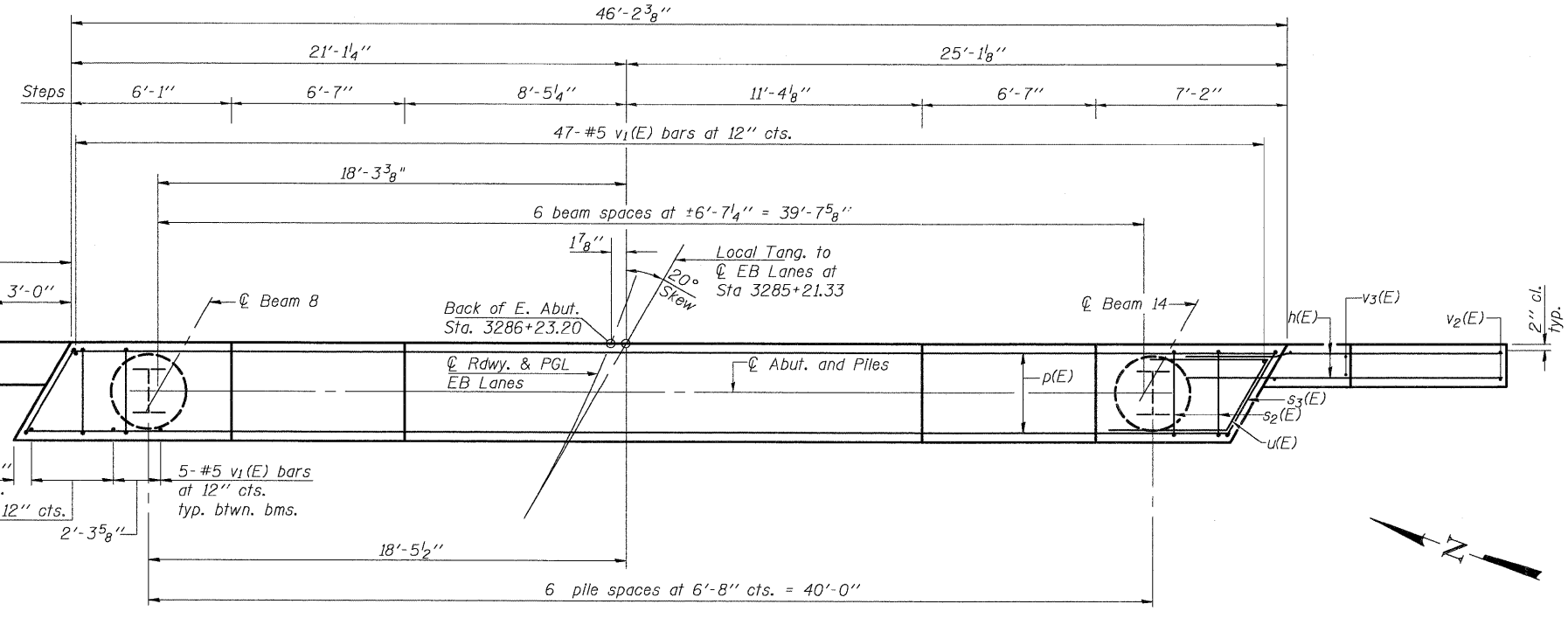


SEC. THRU ABUT.
 (dim. at right L's)

BILL OF MATERIAL

Bar	No.	Size	Length	Shape
h(E)	60	#6	13'-7"	—
p(E)	10	#7	45'-11"	—
s2(E)	42	#5	11'-7"	□
s3(E)	2	#5	11'-11"	□
u(E)	8	#6	9'-4"	┘
v1(E)	83	#5	4'-4"	—
v2(E)	16	#5	10'-11"	—
v3(E)	12	#5	7'-2"	—
Structure Excavation			Cu. Yd.	125
Concrete Structures			Cu. Yd.	20.4
Reinforcement Bars, Epoxy Coated			Pound	3450
Furnishing Steel Piles, HP12x53			Foot	384
Driving Piles			Foot	384
Test Pile, Steel HP12x53			Each	1
Concrete Encasement			Cu. Yd.	2.4

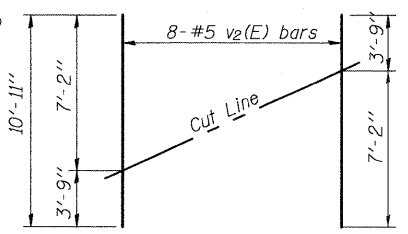
For details of piles and Concrete Encasement, see sheet 38 of 45.



PLAN

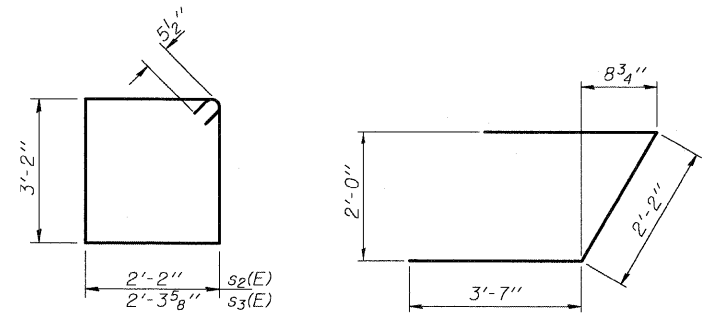
PILE DATA

Type: Steel HP12 x 53
 Nominal Required Bearing: 360 kip
 Allowable Resistance Available: 120 kip
 Est. Length: 64 ft.
 No. Production Piles: 6
 No. Test Piles: 1



FIELD CUTTING DIAGRAM

Order v2(E) full length. Cut as shown and use remainder of bars in opposite face.



BARS s2(E) & s3(E)

BAR u(E)

CB Coombe-Bloxdorf P.C.
 - CIVIL ENGINEERS -
 - STRUCTURAL ENGINEERS -
 - LAND SURVEYORS -
 Design Firm License No. 184-002703

PROJECT NO.	05061
SCALE	
DATE	6/25/09
DESIGN BY	RM/MCB
DRAWN BY	TFG
CHECKED BY	MCB

SHEET NO. 33	F.A.I. RTE.	SECTION	COUNTY	TOTAL SHEETS	SHEET NO.
45 SHEETS	80	*	BUREAU	344	186
CONTRACT NO. 66908					
FED. ROAD DIST. NO. 7 ILLINOIS FED. AID PROJECT					

*06-L7BR & BR-1, TVB-M, 6BR & 6, 7 RS-1 & 11

PLOT DATE = 09/08/2009
 FILE NAME = 06060172-0175-66908-033-e-abut-eb.dgn
 USER NAME = BFC