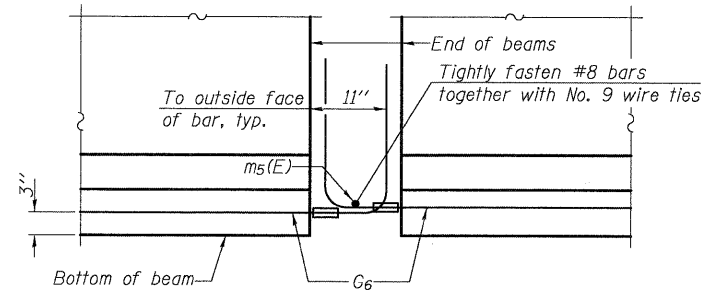
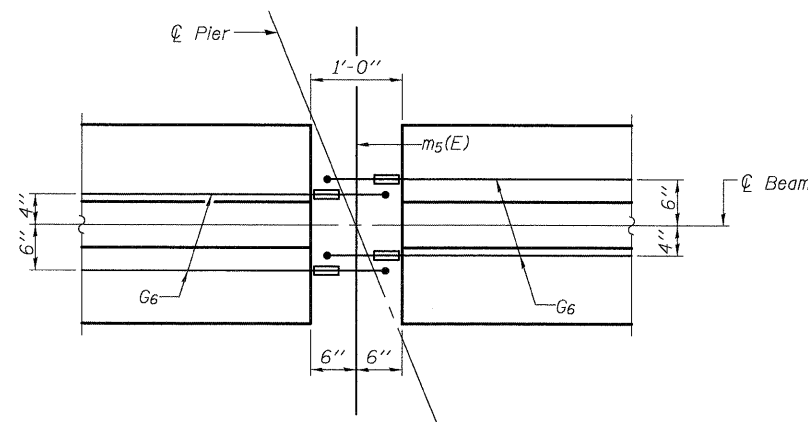


NOTES

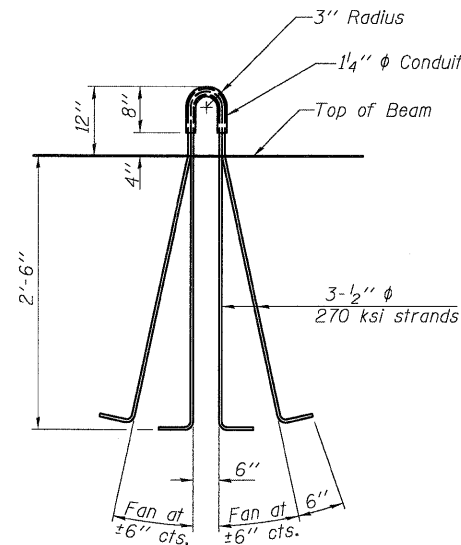
Inserts for $\frac{3}{4}$ " ϕ threaded dowel rods, when specified, are to be two strut, ferrule type for interior beams and single ferrule, flared loop type for exterior beams. Prestressing steel shall be uncoated high strength, low relaxation 7-wire strand, Grade 270. The nominal diameter shall be $\frac{1}{2}$ " and the nominal cross-sectional area shall be 0.153 sq. in. Reinforcement bars shall conform to ASTM A 706, Grade 60. (See Special Provisions). A minimum $2\frac{1}{2}$ " ϕ lifting pin shall be used to engage the lifting loops during handling. Tilt G_6 bars when necessary to maintain $1\frac{1}{2}$ " clearance. The top and bottom plates shall be AASHTO M270 Grade 50. The bottom plates and studs shall be galvanized according to AASHTO M111. Threaded rods shall be ASTM F 1554 Grade 55. The G_6 bar assembly shall have the threaded ends oversized to ensure no reduction in cross sectional area after threading. The coupler splice shall be capable of developing 125 percent of the yield strength of the reinforcement bar.



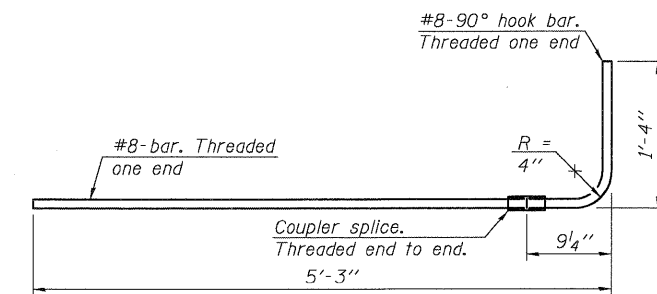
ELEVATION OF BEAM AT PIER



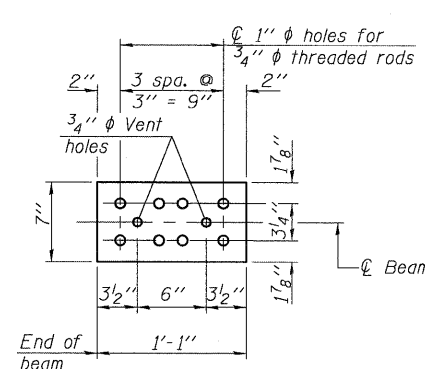
PLAN OF BEAM AT PIER



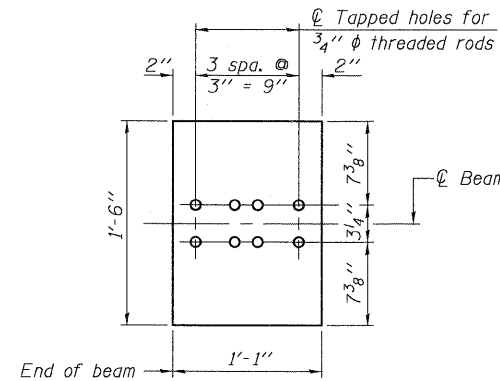
LIFTING LOOP DETAIL



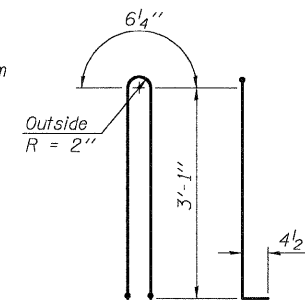
G6 BAR ASSEMBLY



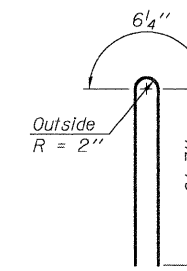
TOP PLATE



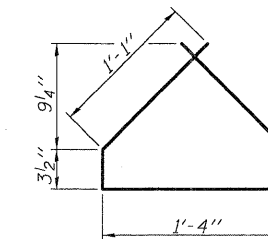
BOTTOM PLATE



BAR G1



BAR G2



BAR G4

BILL OF MATERIAL

Item	Unit	Total
Furnishing and Erecting Precast Prestressed Concrete I-Beams, 36"	Ft.	2358

**36" PPC I-BEAM DETAILS
SN 006-0172 (EB) & SN 006-0173 (WB)**

<p>Coombe-Bloxdorf P.C. - CIVIL ENGINEERS - - STRUCTURAL ENGINEERS - - LAND SURVEYORS - Design Firm License No. 184-002703</p>	PROJECT NO. 05061	SHEET NO. 29	F.A.I. RTE.	SECTION	COUNTY	TOTAL SHEETS	SHEET NO.
	DATE 8/05/09		80	*	BUREAU	344	182
	DESIGN BY RM/MCB	45 SHEETS	CONTRACT NO. 66908				
	DRAWN BY TFG CHECKED BY MCB	FED. ROAD DIST. NO. 7 ILLINOIS FED. AID PROJECT					

*06-L7BR & BR-1, TVB-M, 6BR & 6, 7 RS-1 & 11