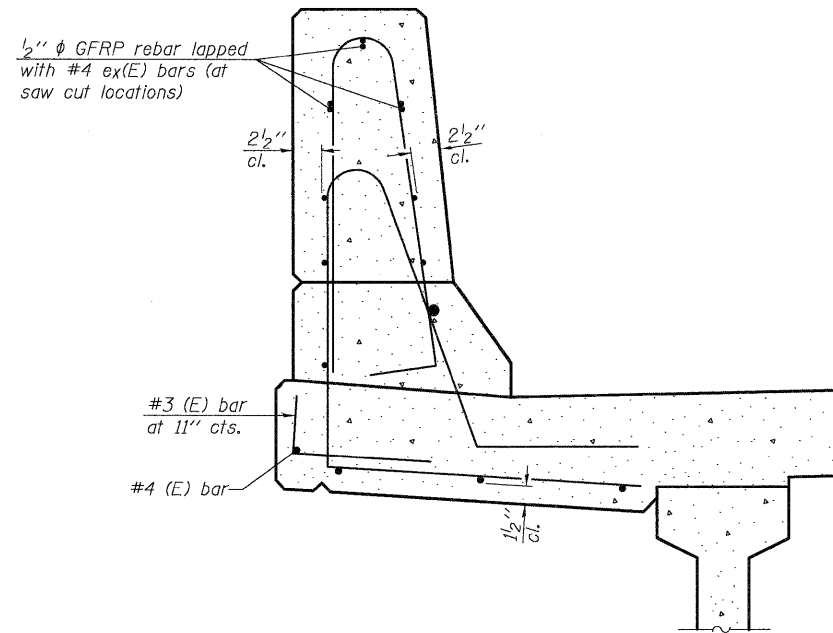
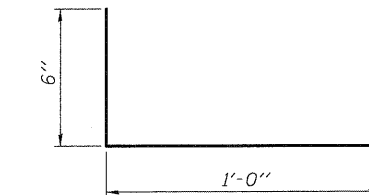


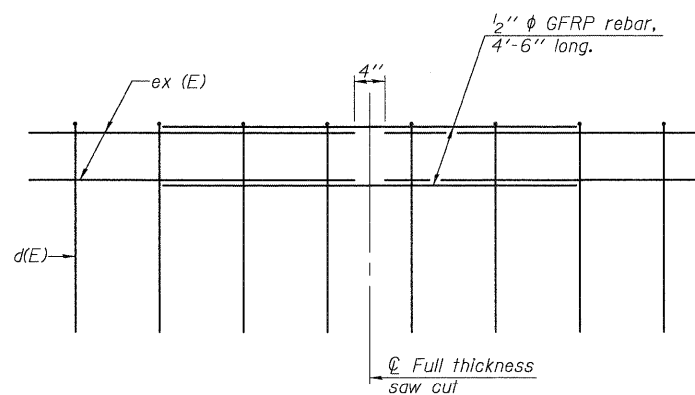
SECTION
(Showing dimensions)



SECTION
(Showing reinforcement clearances for slip forming and additional reinforcement bars)



#3 (E) BAR



GFRP REBAR STIFFENING DETAIL
(Place as shown in parapet section at each parapet joint location.)

CONCRETE PARAPET SLIPFORMING OPTION				
SN 006-0172 (EB) & SN 006-0173 (WB)				
F.A.I. RTE.	SECTION	COUNTY	TOTAL SHEETS	SHEET NO.
80	*	BUREAU	344	174
CONTRACT NO. 66908				
FED. ROAD DIST. NO. 7 ILLINOIS FED. AID PROJECT				

CB Coombe-Bloxdorf P.C.
- CIVIL ENGINEERS -
- STRUCTURAL ENGINEERS -
- LAND SURVEYORS -
Design Firm License No. 184-002703

PROJECT NO. 05061	SHEET NO. 21
SCALE	45 SHEETS
DATE 6/25/09	
DESIGN BY RM/MCB	
DRAWN BY TFG	
CHECKED BY MCB	

*06-17BR & BR-1, TVB-M, 6BR & 6, 7 RS-1 & IJ

PLOT DATE = 09/09/2009
FILE NAME = \\0060172.0173-66908-02-sfp-34.dgn
PLOTTER = HP2255T P7 IN
USER NAME = EFC

SFP-34

10-1-08