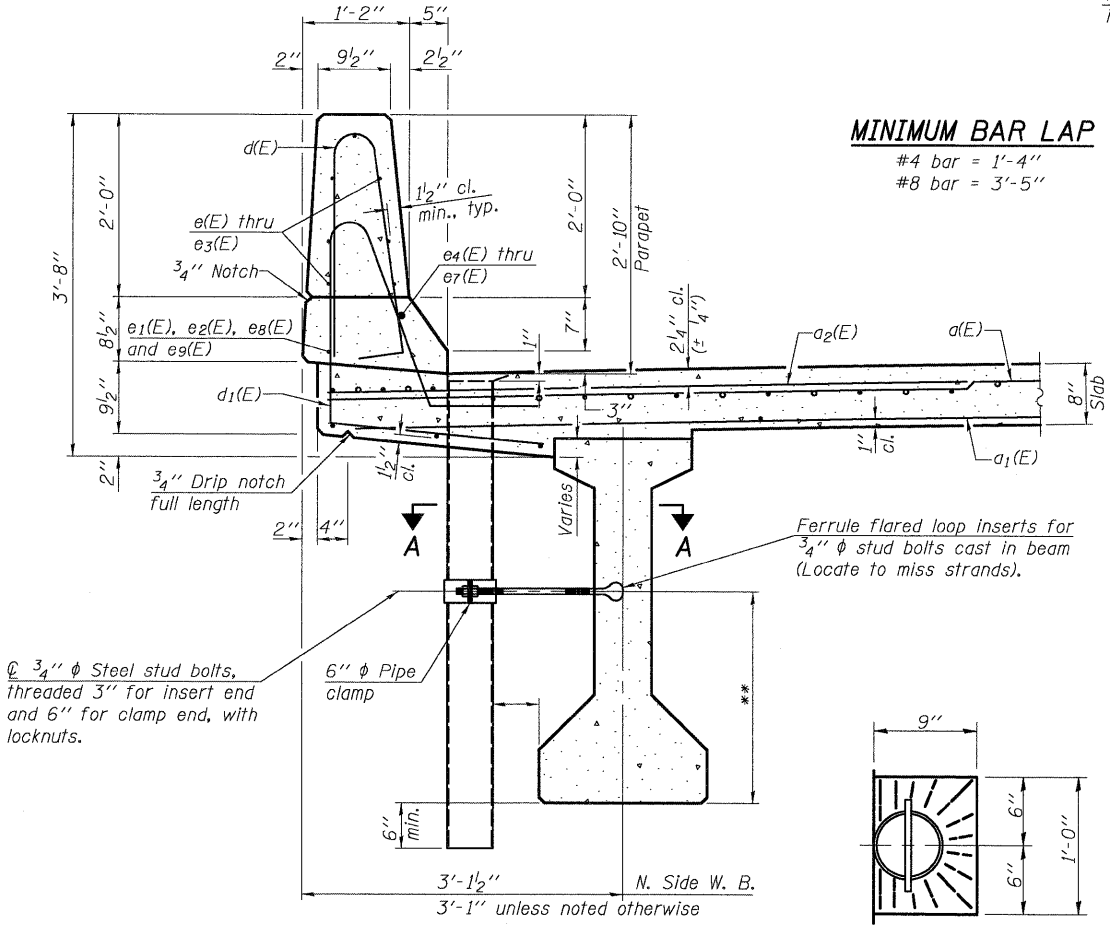


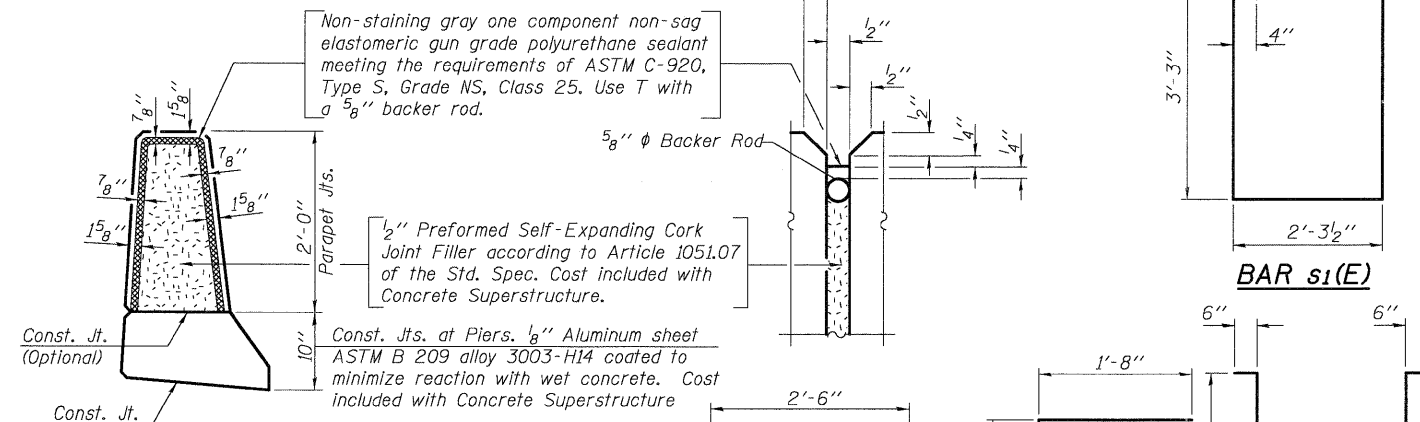
INSIDE ELEVATION OF PARAPET

MINIMUM BAR LAP
 #4 bar = 1'-4"
 #8 bar = 3'-5"



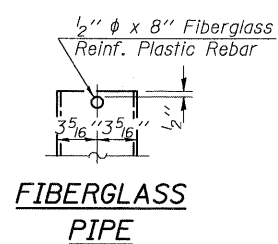
SECTION THRU PARAPET

TOP PLAN

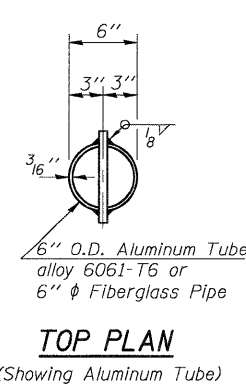


PARAPET JOINT DETAILS

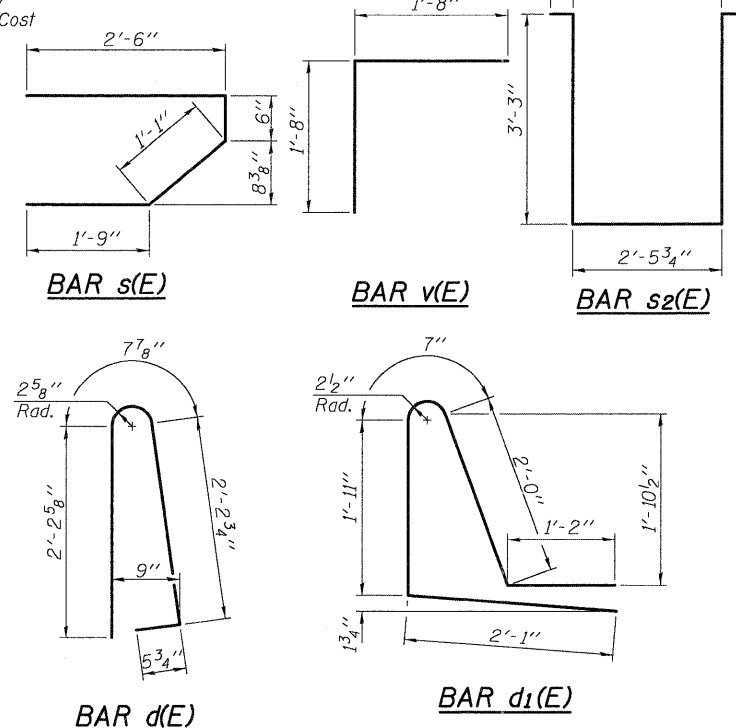
Notes:
 Fiberglass pipe shall conform to ASTM D2996, with short-time rupture strength hoop tensile stress of 30,000 p.s.i. minimum.
 The exterior surfaces of the floor drains shall be coated or pigmented by the manufacturer with a color that matches the concrete.
 The clamping device and inserts shall be galvanized according to AASHTO M 232.



FIBERGLASS PIPE



ALUMINUM TUBE



BAR s(E)

BAR v(E)

BAR s2(E)

BAR d(E)

BAR d1(E)

TWO-SUPERSTRUCTURES BILL OF MATERIAL

Bar	No.	Size	Length	Shape
a(E)	458	#5	42'-9"	—
a1(E)	412	#5	42'-1"	—
a2(E)	456	#6	6'-6"	—
a3(E)	8	#5	45'-10"	—
a4(E)	96	#5	1'-6"	—
b(E)	552	#5	30'-1"	—
b1(E)	172	#6	22'-6"	—
b2(E)	588	#5	26'-0"	—
d(E)	752	#5	5'-7"	—
d1(E)	752	#5	7'-9"	—
e(E)	168	#4	17'-2"	—
e1(E)	64	#4	7'-2"	—
e2(E)	64	#4	6'-2"	—
e3(E)	56	#4	19'-0"	—
e4(E)	16	#8	27'-11"	—
e5(E)	8	#8	7'-2"	—
e6(E)	8	#8	6'-2"	—
e7(E)	8	#8	21'-0"	—
e8(E)	16	#4	26'-10"	—
e9(E)	8	#4	19'-11"	—
m(E)	20	#6	45'-10"	—
m1(E)	8	#6	2'-1"	—
m2(E)	56	#6	9'-4"	—
m3(E)	72	#6	4'-7"	—
m4(E)	96	#4	5'-7"	—
m5(E)	28	#8	5'-8"	—
s(E)	168	#5	5'-10"	—
s1(E)	144	#4	9'-10"	—
s2(E)	120	#4	10'-0"	—
v(E)	160	#5	3'-4"	—
Reinforcement Bars, Epoxy Coated		Lbs.	105340	
Concrete Superstructure		Cu. Yds.	563.8	
Bar Splicers		Each	160	

Bars indicated thus 1 x 2-#5 etc. indicates 1 line of bars with 2 lengths per line.

SUPERSTRUCTURE DETAILS
 SN 006-0172 (EB) & SN 006-0173 (WB)

 Coombe-Bloxdorf P.C. - CIVIL ENGINEERS - - STRUCTURAL ENGINEERS - - LAND SURVEYORS - Design Firm License No. 184-002703	PROJECT NO. 05061 SCALE: 80 DATE: 6/25/09 DESIGN BY: RM/MCB DRAWN BY: TFG CHECKED BY: MCB	SHEET NO. 18 45 SHEETS	F.A.I. RTE. 80 SECTION * COUNTY BUREAU CONTRACT NO. 66908	TOTAL SHEETS 344 SHEET NO. 171
	FED. ROAD DIST. NO. 7 ILLINOIS FED. AID PROJECT *06-I7BR & BR-1, TVB-M, 6BR & 6, 7 RS-1 & IJ			

PLOT DATE = 09/06/2009
 FILE NAME = ..\060172-0173-66908-018-super-detail.dgn
 USER NAME = CFC