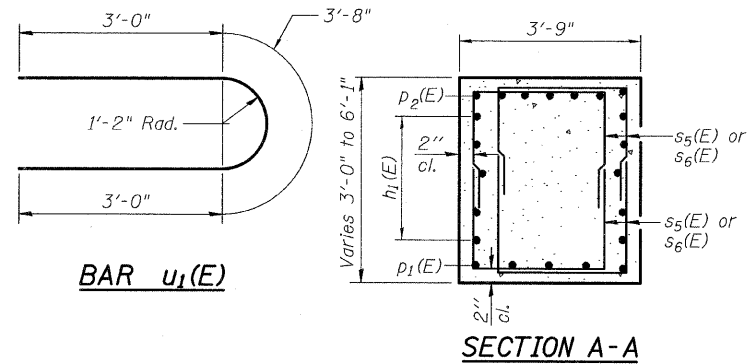
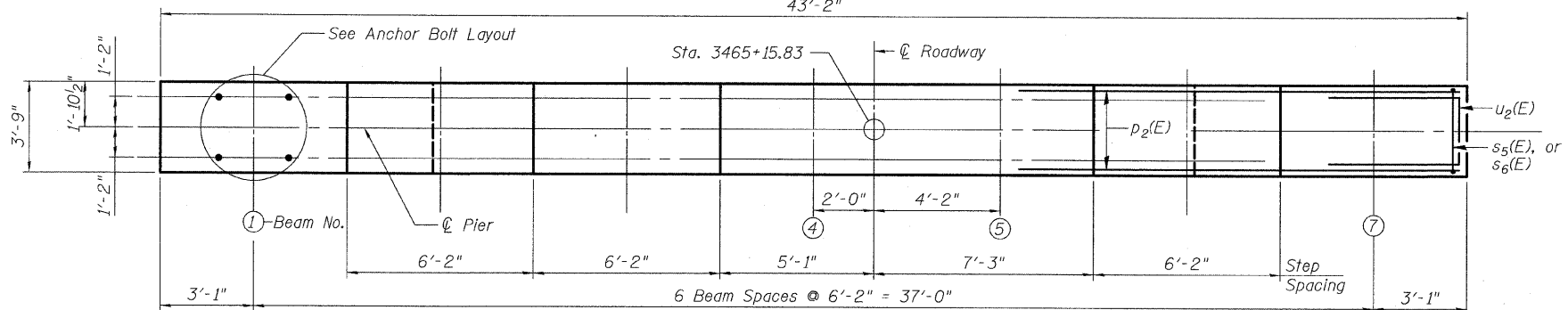


STATE OF ILLINOIS
DEPARTMENT OF TRANSPORTATION

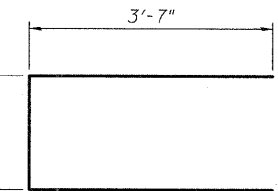
Notes:
Space reinforcement in cap to miss anchor bolts.
Pour steps monolithically with cap.
For details of piles, see sheet 53 of 59.



MINIMUM BAR LAP
#4 bar = 1'-8"

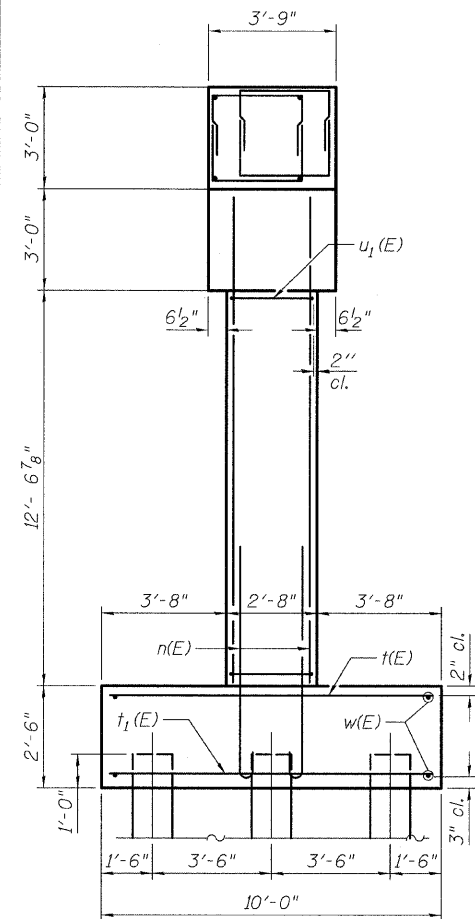
PIER
BILL OF MATERIAL

Bar	No.	Size	Length	Shape
h(E)	26	#5	22'-6"	—
h ₁ (E)	10	#5	42'-10"	—
n(E)	54	#7	6'-6"	⌋
p ₁ (E)	10	#5	11'-0"	—
p ₂ (E)	7	#9	42'-10"	—
s ₅ (E)	98	#4	10'-0"	⌊
s ₆ (E)	24	#4	7'-10"	⌊
t(E)	28	#6	9'-8"	—
t ₁ (E)	28	#8	9'-8"	—
u ₁ (E)	26	#5	9'-8"	⌋
u ₂ (E)	8	#6	10'-6"	—
v ₁₁ (E)	54	#7	16'-5"	—
w(E)	20	#6	26'-8"	—
Structure Excavation		Cu. Yd.	64.3	
Concrete Structures		Cu. Yd.	88.5	
Reinforcement Bars, Epoxy Coated		Pound	7,820	
Furnishing Steel Piles, HP14x73		Foot	574	
Driving Piles		Foot	574	
Test Pile, HP14x73		Each	1	

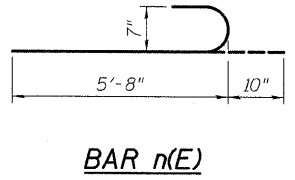
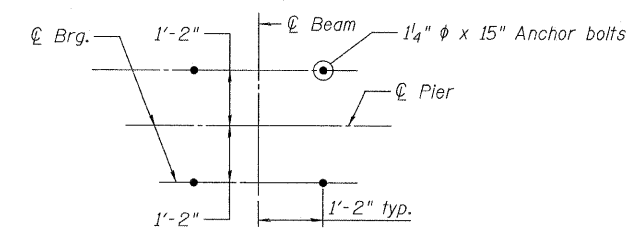
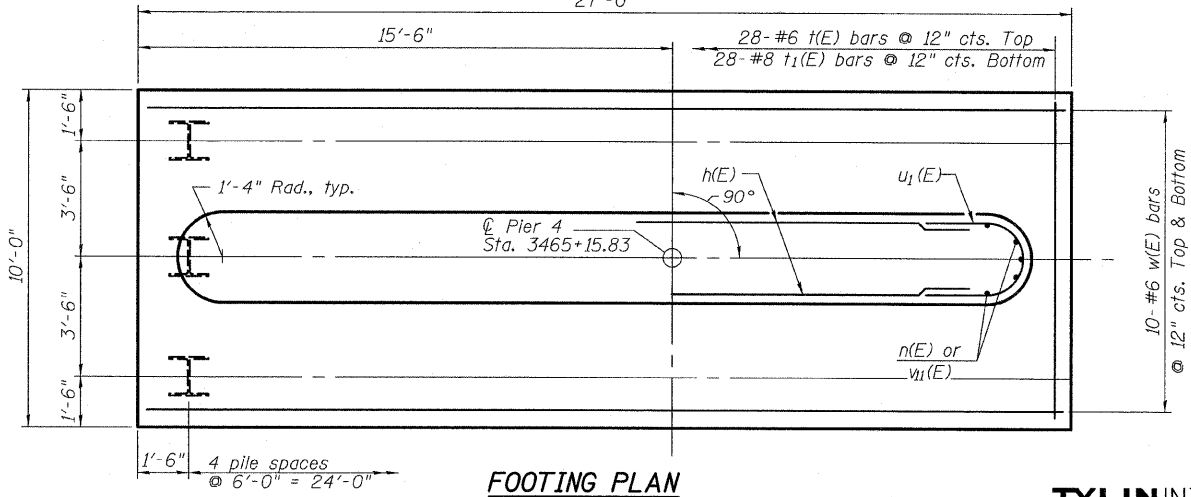


BARS s₅(E), s₆(E)
A & B DIMENSIONS

Bar	A	B
s ₅ (E)	2'-8"	3'-8"
s ₆ (E)	2'-8"	2'-7"



ELEVATION
(Looking East)
27'-0"



PIER 4
STRUCTURE NO. 006-0171 WB

PILE DATA
Type: HP 14x73
Nominal Required Bearing: 400 kips
Factored Resistance Available: 200 kips
Est. Length: 41'
No. Production Piles: 14
No. Test Piles: 1

DESIGNED - SP
CHECKED - PDF
DRAWN - IM,PK
CHECKED - PDF

SHEET NO. 51	F.A. RTE. 80	SECTION *	COUNTY BUREAU	TOTAL SHEETS 344	SHEET NO. 145
59 SHEETS	FED. ROAD DIST. NO.	ILLINOIS FED. AID PROJECT	CONTRACT NO. 66908		

TYLIN INTERNATIONAL