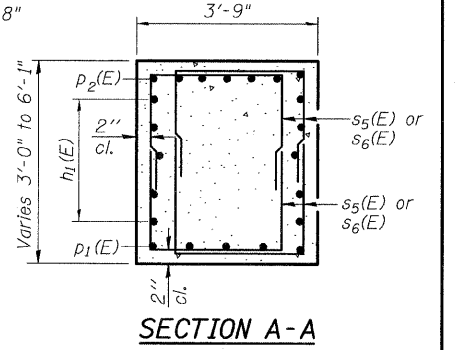
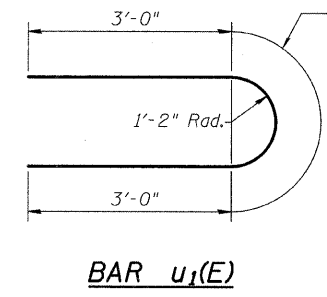
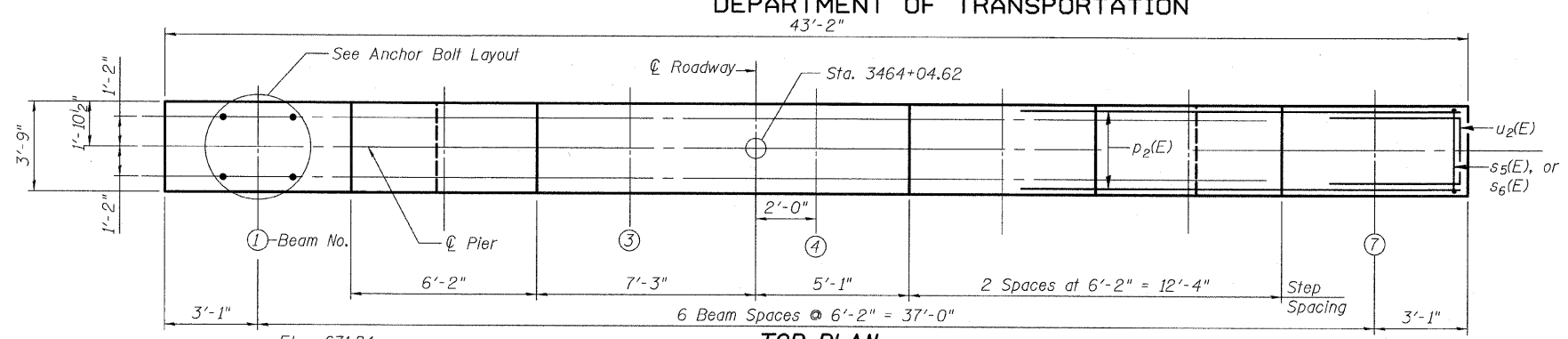


STATE OF ILLINOIS  
DEPARTMENT OF TRANSPORTATION

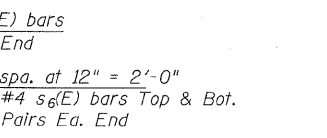
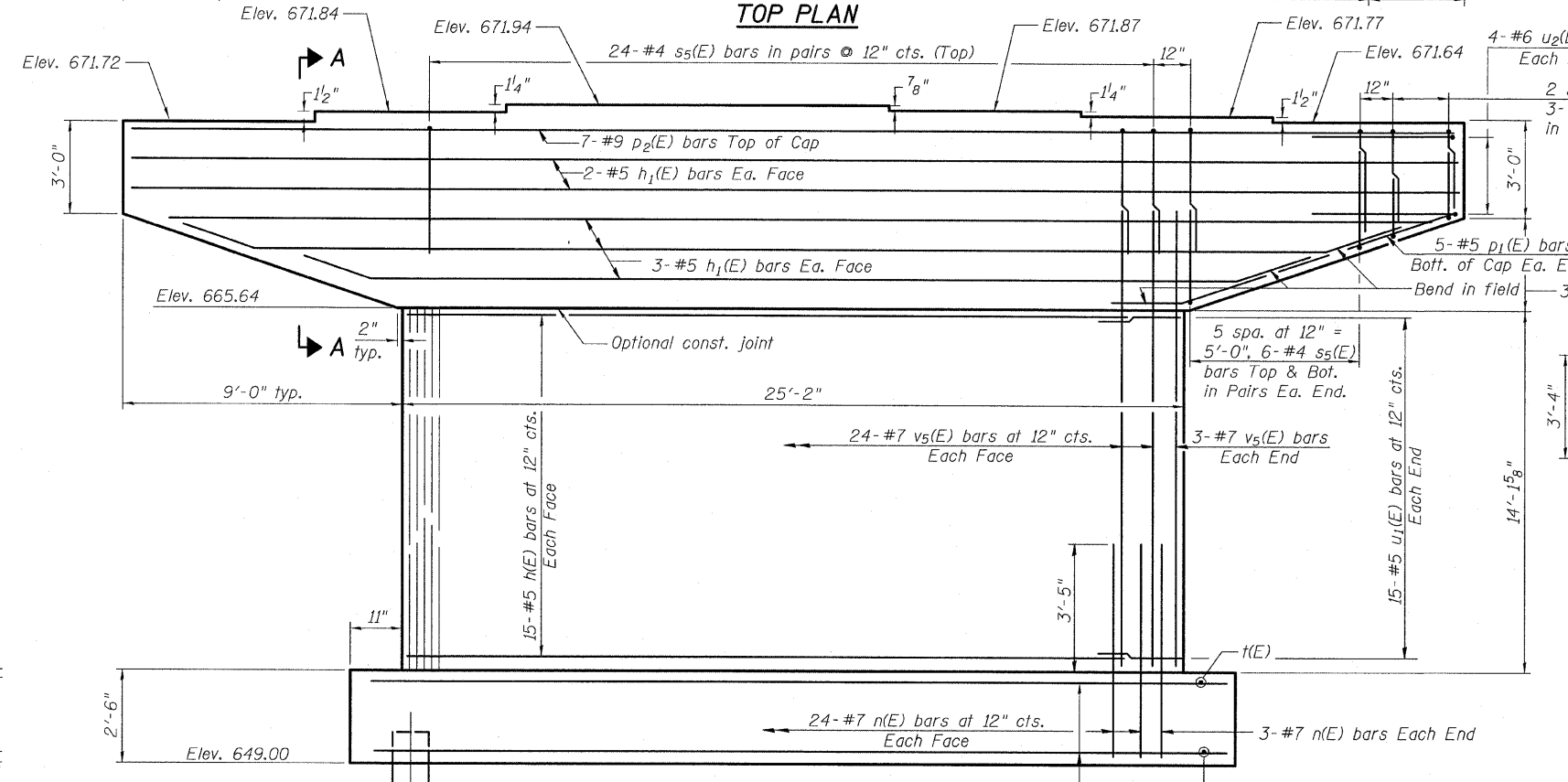
Notes:  
Space reinforcement in cap to miss anchor bolts.  
Four steps monolithically with cap.  
For details of piles, see sheet 53 of 59.



MINIMUM BAR LAP  
#4 bar = 1'-8"

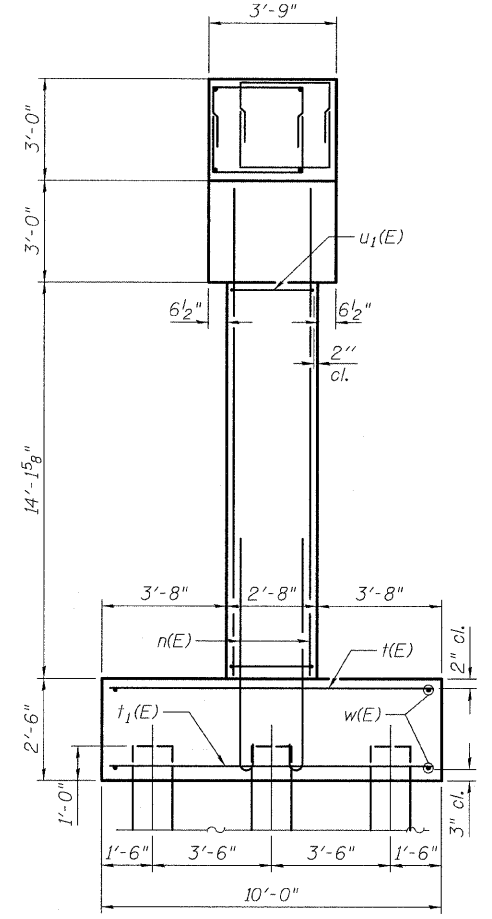
PIER  
BILL OF MATERIAL

Bar	No.	Size	Length	Shape
h(E)	30	#5	22'-6"	—
h1(E)	10	#5	42'-10"	—
n(E)	54	#7	6'-6"	⌋
p1(E)	10	#5	11'-0"	—
p2(E)	7	#9	42'-10"	—
s5(E)	98	#4	10'-0"	⌋
s6(E)	24	#4	7'-10"	⌋
t(E)	28	#6	9'-8"	—
t1(E)	28	#8	9'-8"	—
u1(E)	30	#5	9'-8"	⌋
u2(E)	8	#6	10'-6"	⌋
v5(E)	54	#7	18'-2"	—
w(E)	20	#6	26'-8"	—
Structure Excavation		Cu. Yd.	64.3	
Concrete Structures		Cu. Yd.	92.4	
Reinforcement Bars, Epoxy Coated		Pound	8,150	
Furnishing Steel Piles, HP14x73		Foot	588	
Driving Piles		Foot	588	
Test Pile, HP14x73		Each	1	



BAR s5(E), s6(E)  
A & B DIMENSIONS

Bar	A	B
s5(E)	2'-8"	3'-8"
s6(E)	2'-8"	2'-7"

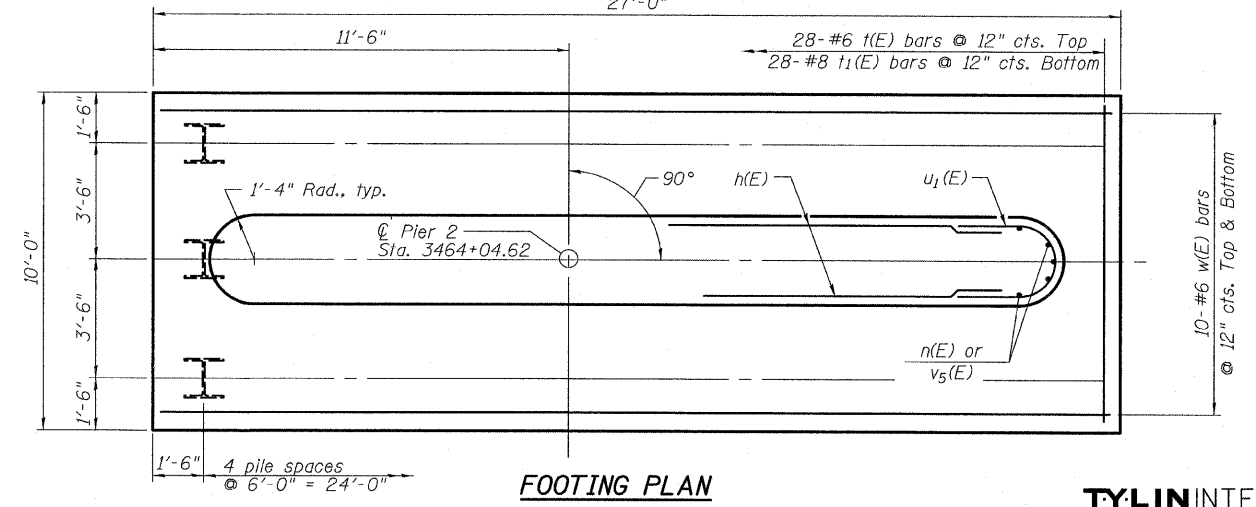


END VIEW

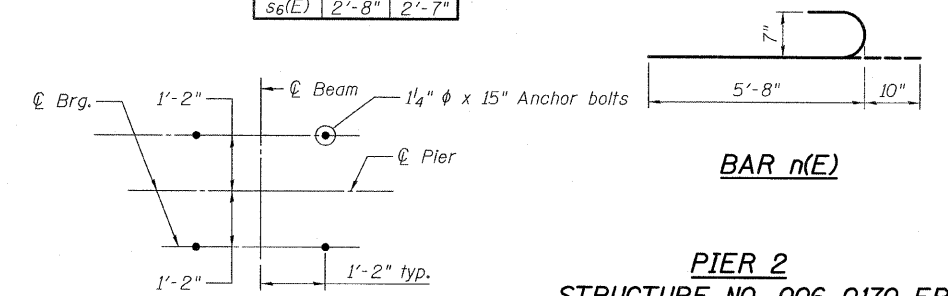
PILE DATA

Type: HP 14x73  
Nominal Required Bearing: 400 kips  
Factored Resistance Available: 200 kips  
Est. Length: 42'  
No. Production Piles: 14  
No. Test Piles: 1

DESIGNED	- SP
CHECKED	- PDF
DRAWN	- PF,IM
CHECKED	- PDF



FOOTING PLAN



ANCHOR BOLT LAYOUT

BAR n(E)

PIER 2  
STRUCTURE NO. 006-0170 EB

SHEET NO. 45	F.A. RTE. 80	SECTION *	COUNTY BUREAU	TOTAL SHEETS 344	SHEET NO. 139
59 SHEETS	FED. ROAD DIST. NO.	ILLINOIS	FED. AID PROJECT	CONTRACT NO. 66908	

TYLIN INTERNATIONAL