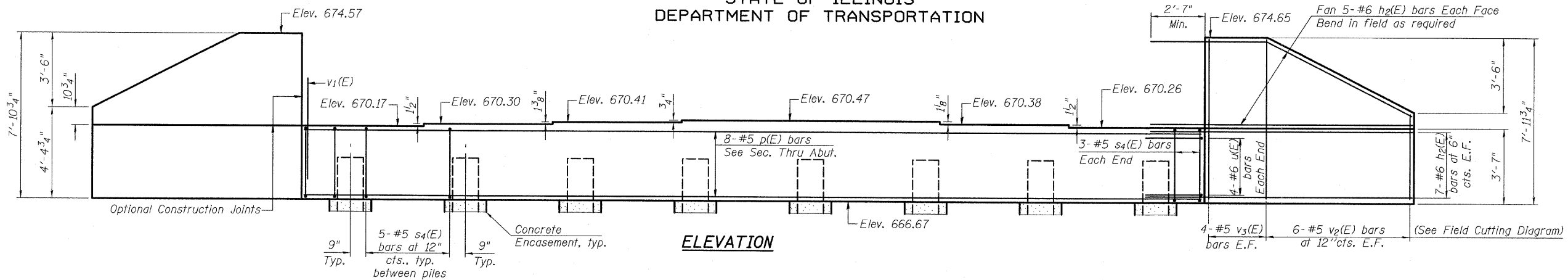
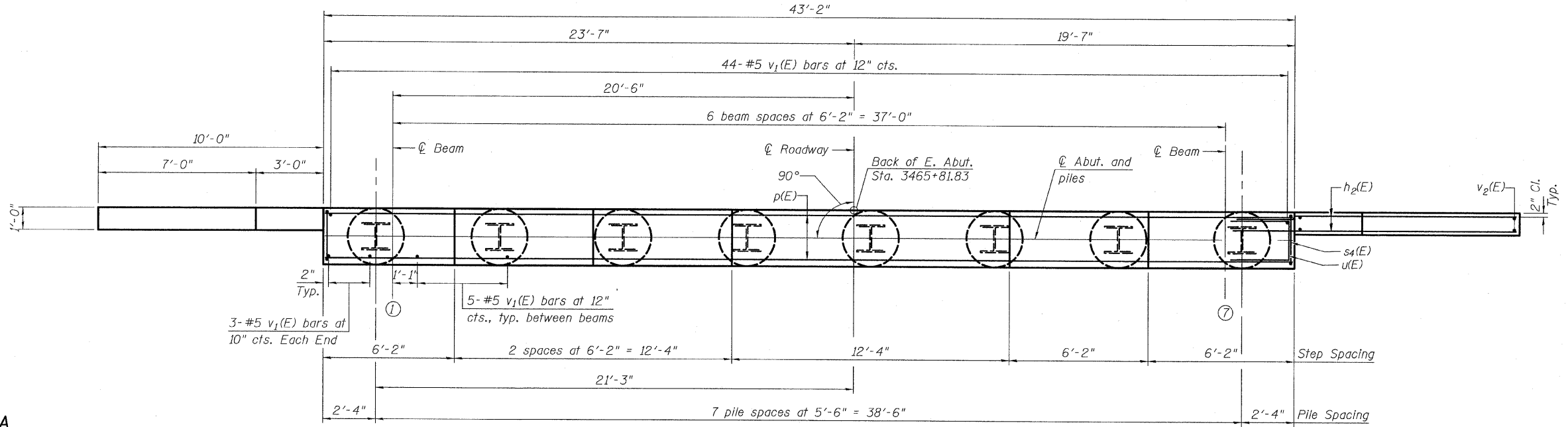


STATE OF ILLINOIS
DEPARTMENT OF TRANSPORTATION



ELEVATION



PLAN



LAP SPLICES

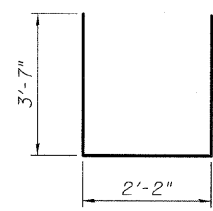
Bar	Lap
#4	1'-8"
#5	2'-2"
#6	2'-7"
#7	3'-5"
#8	4'-6"

PILE DATA

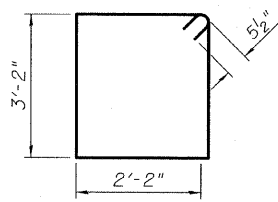
Type: Steel HP14x73
 Nominal Required Bearing: 300 kips
 Factored Resistance Available: 150 kips
 Est. Length: 48 ft.
 No. Production Piles: 7 Piles
 No. Test Piles: 1 Pile

NOTES:

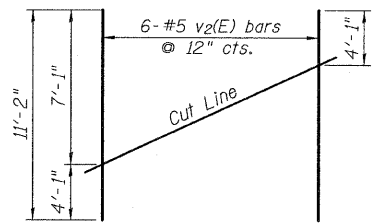
1. Pour steps monolithically with cap.
2. For details of piles and Concrete Encasement, see sheet 53 of 59.



BAR u(E)



BAR s4(E)

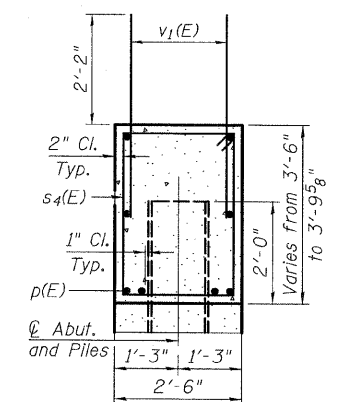


FIELD CUTTING DIAGRAM

Order v2(E) full length. Cut as shown and use remainder of bars in opposite face.

BILL OF MATERIAL

Bar	No.	Size	Length	Shape
h2(E)	48	#6	13'-3"	—
p(E)	8	#6	42'-10"	—
s4(E)	41	#5	11'-7"	□
u(E)	8	#6	9'-4"	U
v1(E)	80	#5	4'-4"	—
v2(E)	12	#5	11'-2"	—
v3(E)	16	#5	7'-7"	—
Structure Excavation	Cu. Yd.	66.9		
Concrete Structures	Cu. Yd.	19.7		
Reinforcement Bars, Epoxy Coated	Pound	2710		
Furnishing Steel Piles, HP 14x73	Foot	336		
Driving Piles	Foot	336		
Test Pile, HP14x73	Each	1		
Concrete Encasement	Cu. Yd.	4.4		



SEC. THRU ABUT.

LEGEND

E.F. - Denotes Each Face.

DESIGNED	- PK
CHECKED	- PDF
DRAWN	- PK
CHECKED	- PDF

EAST ABUTMENT
STRUCTURE NO. 006-0171 WB

SHEET NO. 42	F.A. RTE.	SECTION	COUNTY	TOTAL SHEETS	SHEET NO.
	80	*	BUREAU	344	131
59 SHEETS	FED. ROAD DIST. NO.		ILLINOIS	FED. AID PROJECT	
			CONTRACT NO. 66908		

TYLIN INTERNATIONAL