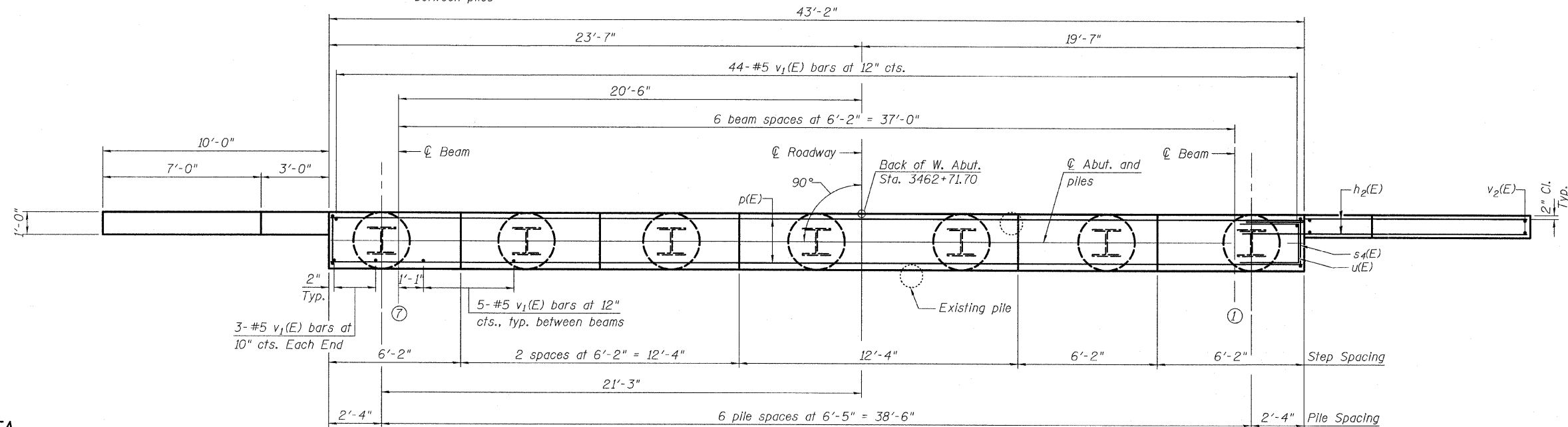
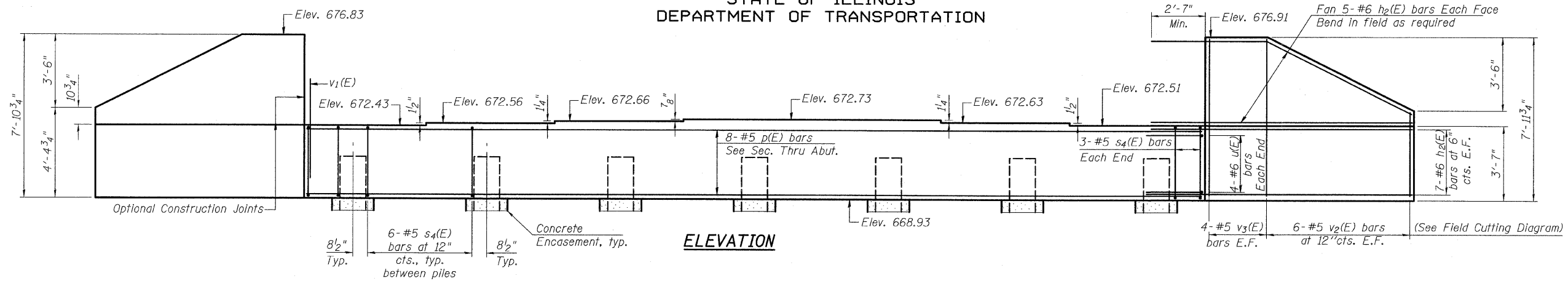


STATE OF ILLINOIS
DEPARTMENT OF TRANSPORTATION



LAP SPLICES

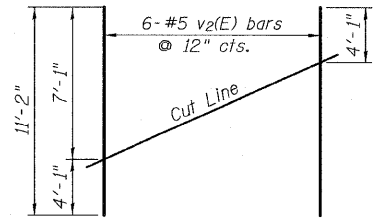
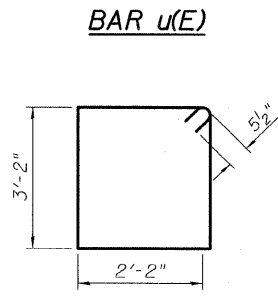
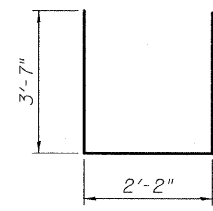
Bar	Lap
#4	1'-8"
#5	2'-2"
#6	2'-7"
#7	3'-5"
#8	4'-6"

PILE DATA

Type: Steel HP14x73
 Nominal Required Bearing: 300 kips
 Factored Resistance Available: 150 kips
 Est. Length: 63 ft.
 No. Production Piles: 6 Piles
 No. Test Piles: 1 Pile

NOTES:

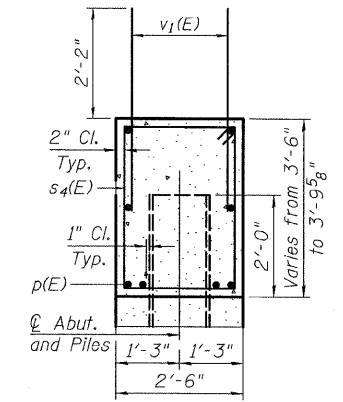
1. Pour steps monolithically with cap.
2. Contractor may adjust pile spacing to miss existing piles.
3. For details of piles and Concrete Encasement, see sheet 53 of 59.



Order v₂(E) full length. Cut as shown and use remainder of bars in opposite face.

BILL OF MATERIAL

Bar	No.	Size	Length	Shape
h ₂ (E)	48	#6	13'-3"	—
p(E)	8	#6	42'-10"	—
s ₄ (E)	42	#5	11'-7"	□
u(E)	8	#6	9'-4"	—
v ₁ (E)	80	#5	4'-4"	—
v ₂ (E)	12	#5	11'-2"	—
v ₃ (E)	16	#5	7'-7"	—
Structure Excavation	Cu. Yd.		92.4	
Concrete Structures	Cu. Yd.		19.7	
Reinforcement Bars, Epoxy Coated	Pound		2720	
Furnishing Steel Piles, HP 14x73	Foot		378	
Driving Piles	Foot		378	
Test Pile, HP14x73	Each		1	
Concrete Encasement	Cu. Yd.		3.8	



**WEST ABUTMENT
STRUCTURE NO. 006-0170 EB**

LEGEND

E.F. - Denotes Each Face.

DESIGNED	- PK
CHECKED	- PDF
DRAWN	- PK
CHECKED	- PDF

SHEET NO.	F.A. RTE.	SECTION	COUNTY	TOTAL SHEETS	SHEET NO.
59 SHEETS	80	*	BUREAU	344	135
			CONTRACT NO. 66908		
FED. ROAD DIST. NO.		ILLINOIS FED. AID PROJECT			

TYLIN INTERNATIONAL