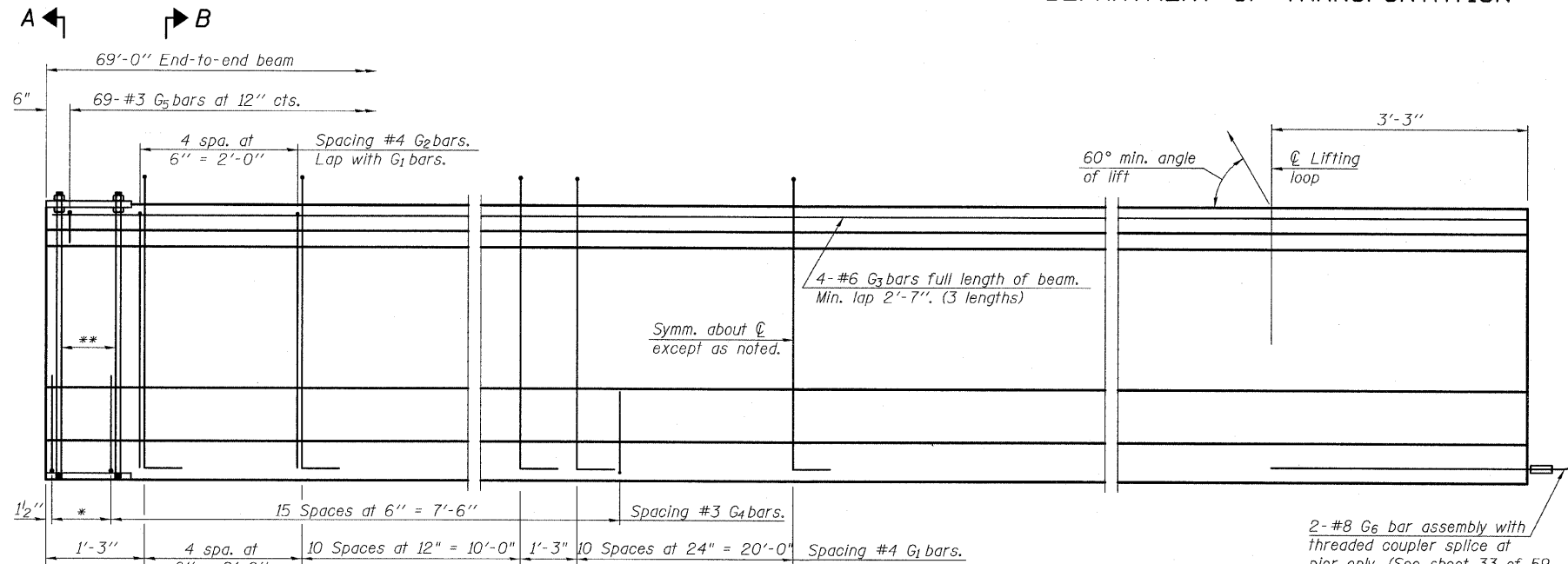


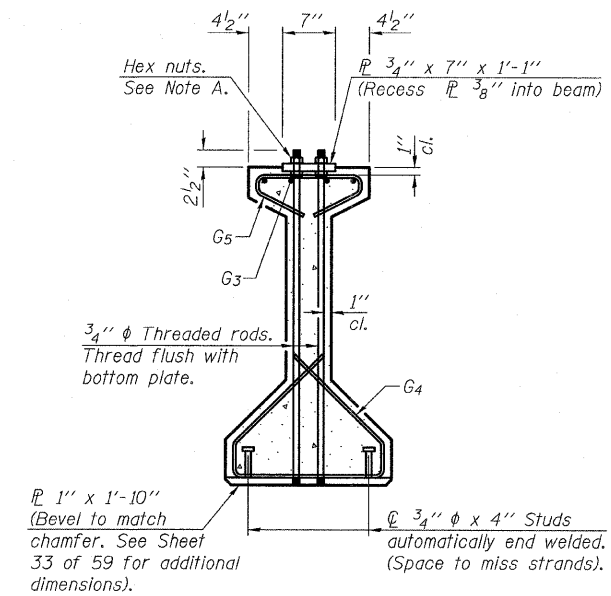
STATE OF ILLINOIS
DEPARTMENT OF TRANSPORTATION



ELEVATION OF BEAM
(Showing reinforcement & dimensions)

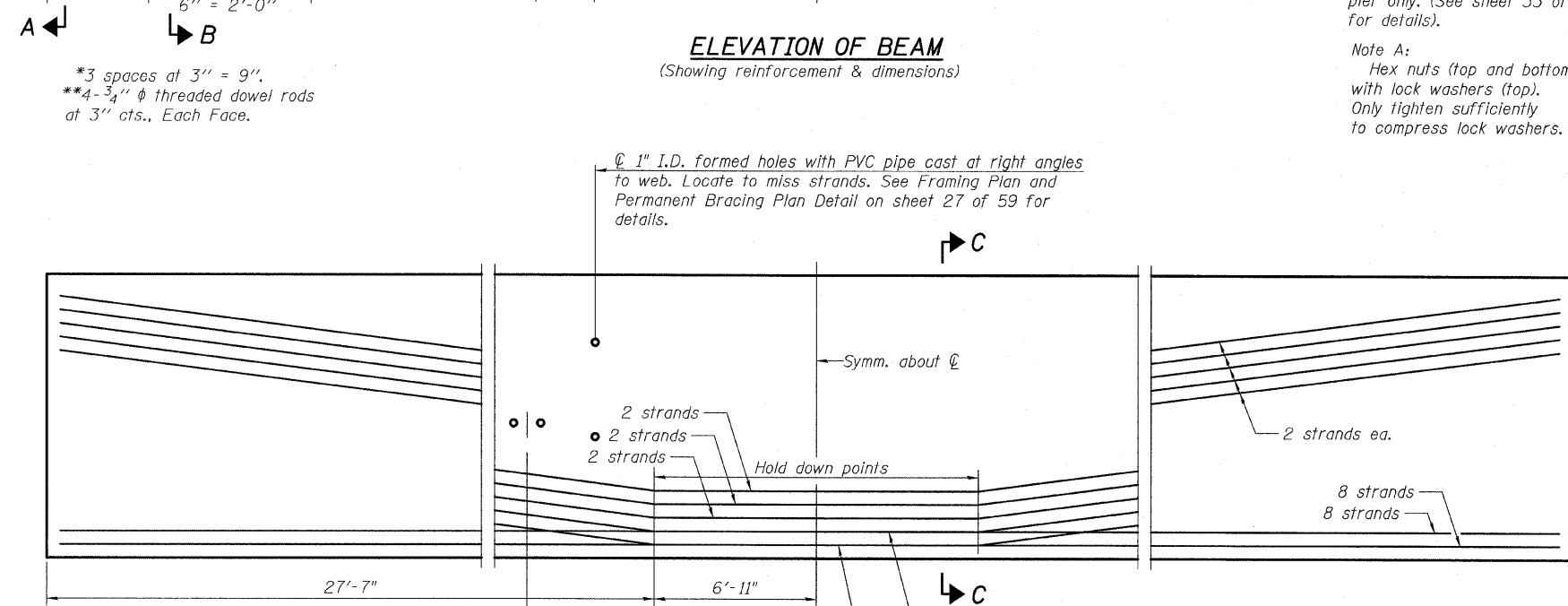
2-#8 G6 bar assembly with threaded coupler splice at pier only. (See sheet 33 of 59 for details).

Note A:
Hex nuts (top and bottom) with lock washers (top). Only tighten sufficiently to compress lock washers.

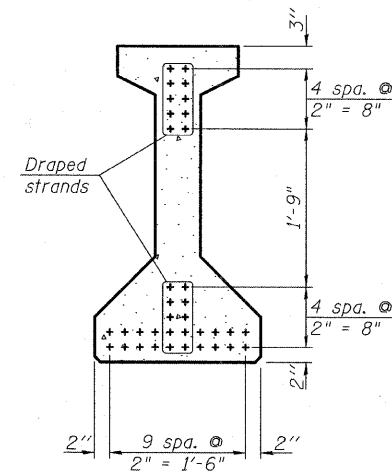


SECTION A-A

SECTION B-B



ELEVATION OF BEAM
(Showing prestressing steel)



SECTION C-C

*****BAR LIST
ONE BEAM ONLY**

Bar	No.	Size	Length	Shape
G1	51	#4	8'-5"	NL
G2	10	#4	6'-8"	N
G3	12	#6	24'-8"	
G4	38	#3	4'-11"	U
G5	69	#3	2'-6"	U
G6	4	#8	6'-6"	U

***For information only
Notes:
See sheet 33 of 59 for additional details and Bill of Material.
Required release strength, f'ci, shall be 5,000 psi.

DESIGNED - PK
CHECKED - PDF, SP
DRAWN - PK
CHECKED - PDF

**42" PPC I-BEAM (SPAN 4)
STRUCTURE NO. 006-0170 EB**

SHEET NO. 31 59 SHEETS	F.A. RTE.	SECTION	COUNTY	TOTAL SHEETS	SHEET NO.
	80	*	BUREAU	344	125
FED. ROAD DIST. NO.			ILLINOIS FED. AID PROJECT		
CONTRACT NO. 66908					

TYLIN INTERNATIONAL