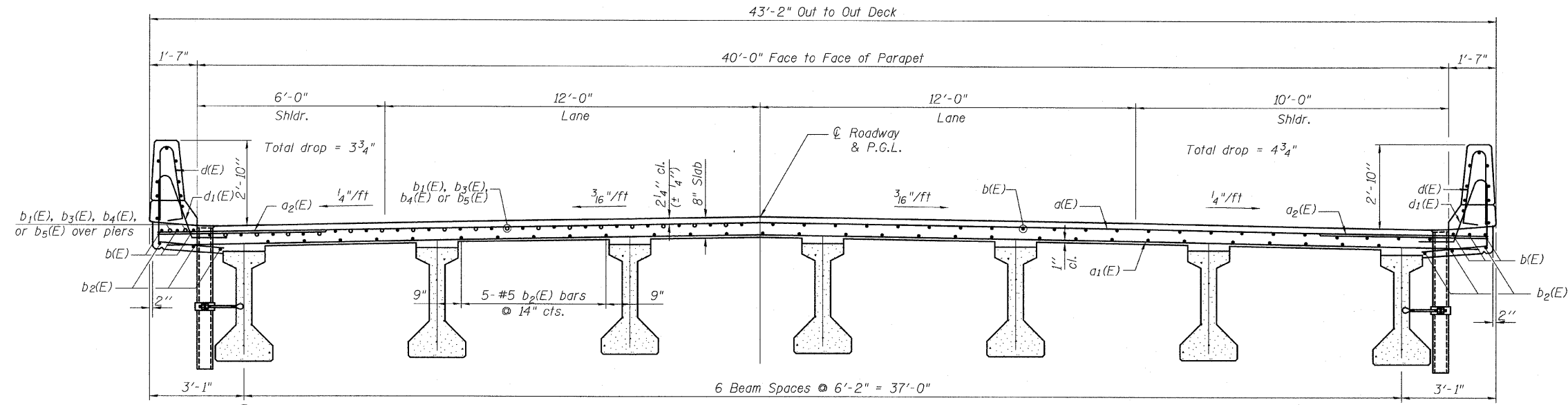
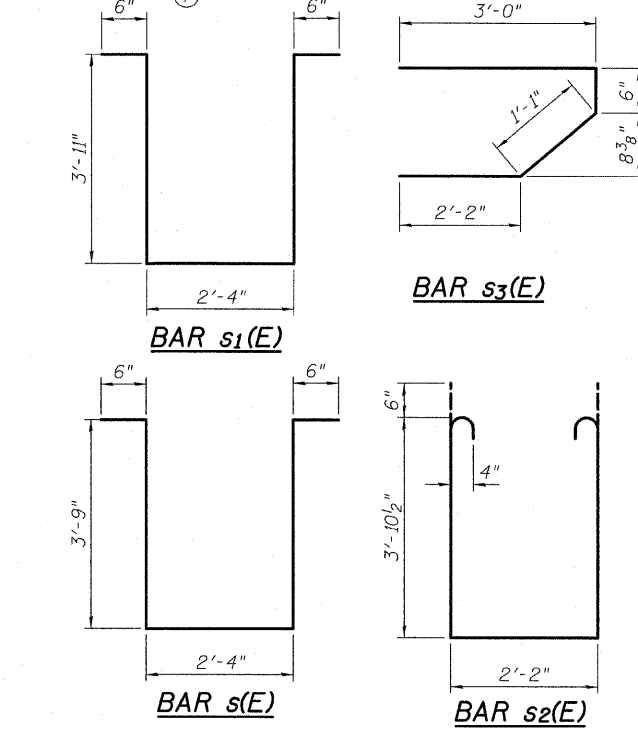
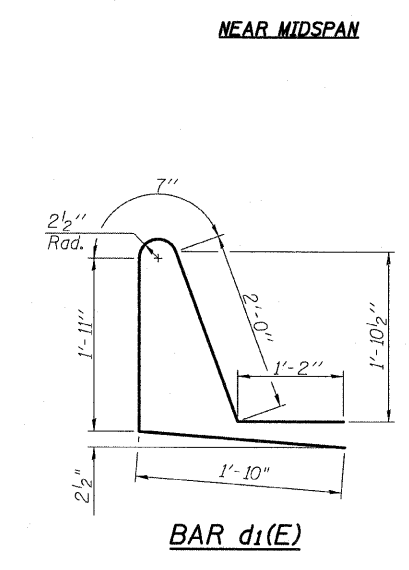
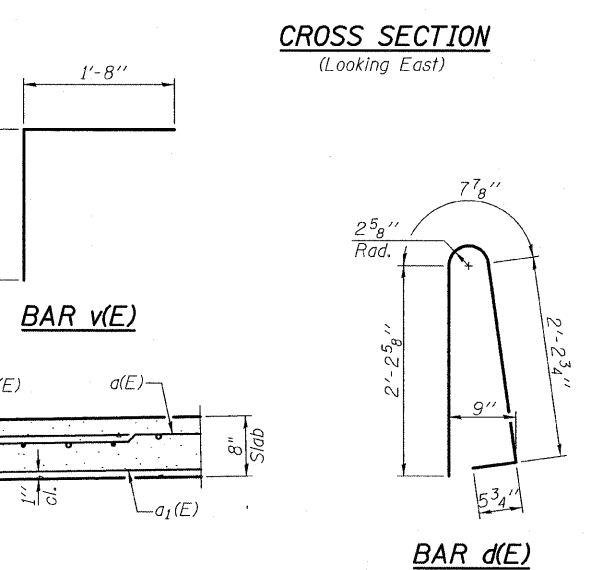
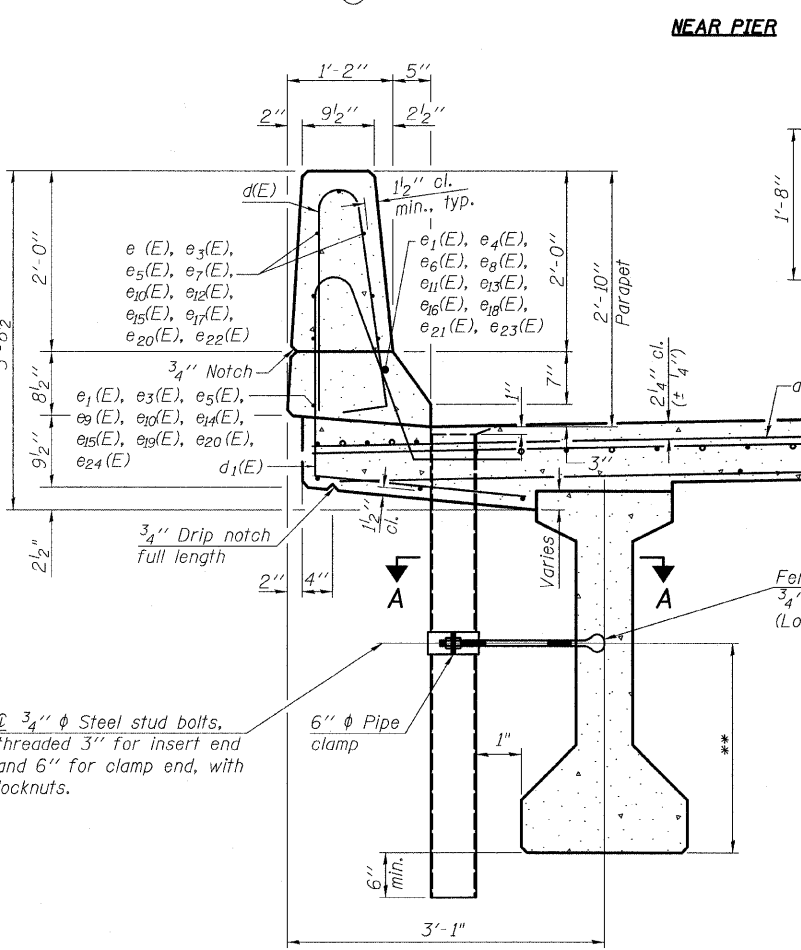


STATE OF ILLINOIS
DEPARTMENT OF TRANSPORTATION

**SUPERSTRUCTURE
BILL OF MATERIAL**



Bar	No.	Size	Length	Shape
a(E)	373	#5	42'-5"	—
a ₁ (E)	373	#5	41'-10"	—
a ₂ (E)	374	#6	6'-0"	—
b(E)	506	#5	30'-2"	—
b ₁ (E)	63	#6	26'-7"	—
b ₂ (E)	432	#5	27'-10"	—
b ₃ (E)	63	#6	25'-11"	—
b ₄ (E)	63	#6	24'-1"	—
b ₅ (E)	63	#6	25'-5"	—
d(E)	678	#5	5'-7"	┌
d ₁ (E)	678	#5	7'-6"	┌
e(E)	42	#4	15'-6"	—
e ₁ (E)	4	#8	25'-3"	—
e ₂ (E)	4	#4	24'-2"	—
e ₃ (E)	16	#4	6'-5"	—
e ₄ (E)	2	#8	6'-5"	—
e ₅ (E)	32	#4	9'-6"	—
e ₆ (E)	4	#8	9'-6"	—
e ₇ (E)	42	#4	19'-7"	—
e ₈ (E)	4	#8	31'-4"	—
e ₉ (E)	4	#4	30'-4"	—
e ₁₀ (E)	32	#4	6'-0"	—
e ₁₁ (E)	4	#8	6'-0"	—
e ₁₂ (E)	28	#4	18'-7"	—
e ₁₃ (E)	4	#8	20'-5"	—
e ₁₄ (E)	4	#4	19'-5"	—
e ₁₅ (E)	32	#4	8'-6"	—
e ₁₆ (E)	4	#8	8'-6"	—
e ₁₇ (E)	42	#4	17'-3"	—
e ₁₈ (E)	4	#8	27'-10"	—
e ₁₉ (E)	4	#4	26'-10"	—
e ₂₀ (E)	16	#4	6'-9"	—
e ₂₁ (E)	2	#8	6'-9"	—
e ₂₂ (E)	42	#4	16'-5"	—
e ₂₃ (E)	4	#8	26'-7"	—
e ₂₄ (E)	4	#4	25'-7"	—
m(E)	96	#4	5'-4"	—
m ₁ (E)	60	#6	4'-0"	—
m ₂ (E)	28	#8	5'-10"	—
m ₃ (E)	4	#6	2'-0"	—
m ₄ (E)	28	#6	8'-11"	—
m ₅ (E)	10	#6	42'-10"	—
s(E)	90	#4	10'-10"	┌
s ₁ (E)	30	#4	11'-2"	┌
s ₂ (E)	72	#4	10'-11"	┌
s ₃ (E)	84	#5	6'-9"	┌
v(E)	88	#5	3'-4"	┌
Reinforcement Bars, Epoxy Coated		Lbs.		92,980
Concrete Superstructure		Cu. Yds.		486.0

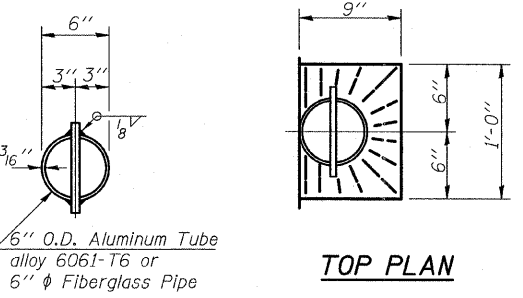
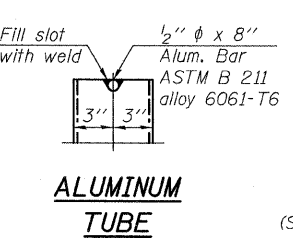
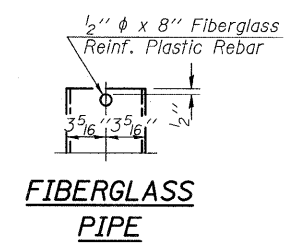


DESIGNED - I.M.
CHECKED - PDF
DRAWN - I.M.
CHECKED - PDF

SECTION THRU PARAPET
**For insert locations See PPC I-beam sheets.

SECTION A-A
*Dimension as required by Pipe Clamp

Notes:
Fiberglass pipe shall conform to ASTM D2996, with short-time rupture strength hoop tensile stress of 30,000 p.s.i. minimum.
The exterior surfaces of the floor drains shall be coated or pigmented by the manufacturer with a color that matches the concrete.
The clamping device and inserts shall be galvanized according to AASHTO M 232.



TOP PLAN
(Showing Aluminum Tube)

**SUPERSTRUCTURE DETAILS - I
STRUCTURE NO. 006-0170 EB**

SHEET NO. 15 59 SHEETS	F.A. RTE. 80	SECTION *	COUNTY BUREAU	TOTAL SHEETS 344	SHEET NO. 109
	CONTRACT NO. 66908				
FED. ROAD DIST. NO.		ILLINOIS FED. AID PROJECT			

TYLIN INTERNATIONAL