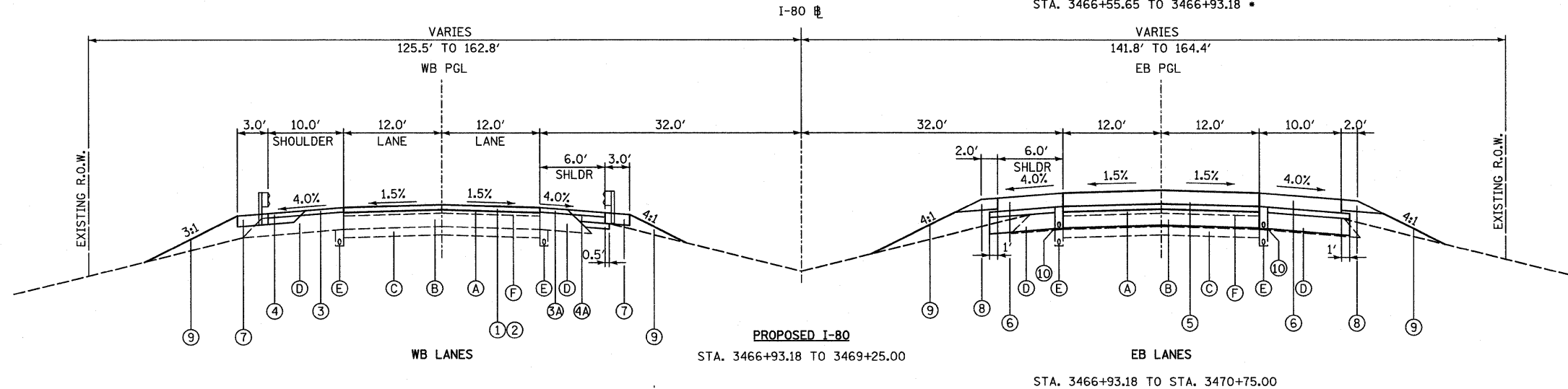
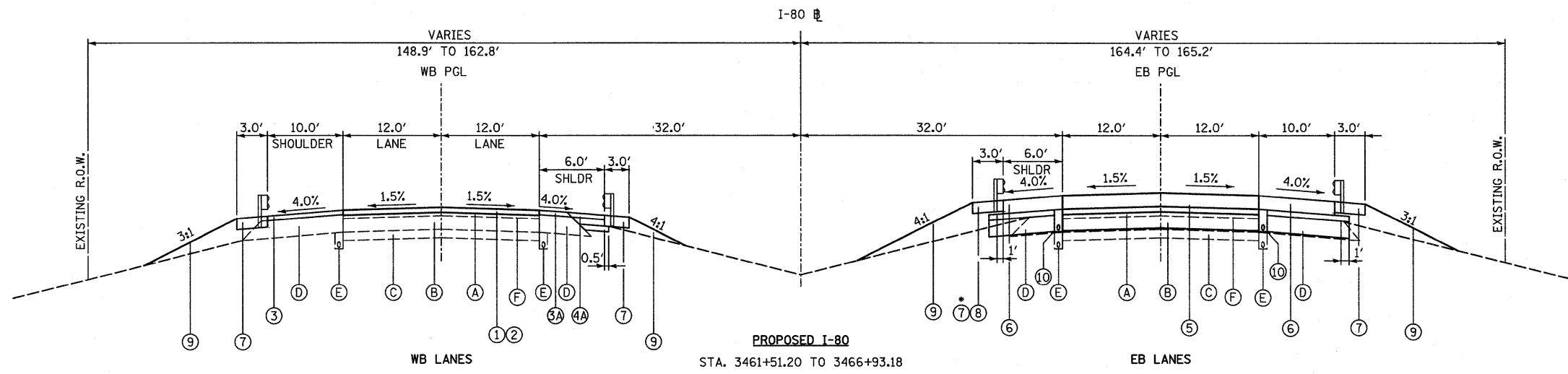
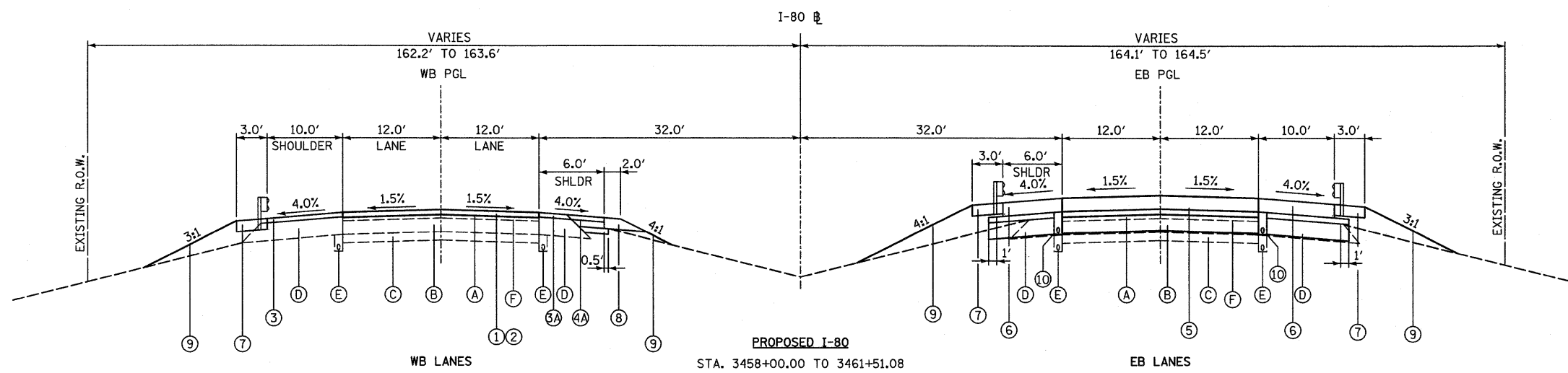


P:\02429\I-80\Road\602429.30_C\Z01993TYP02.dgn
 8/14/2009 3:54:33 PM



EXISTING LEGEND

- (A) EXISTING HOT-MIX ASPHALT OVERLAYS
- (B) EXISTING 10" PCC PAVEMENT
- (C) EXISTING 6" GRANULAR SUB-BASE
- (D) EXISTING STABILIZED SHOULDERS
- (E) EXISTING 4" PIPE UNDERDRAIN
- (F) EXISTING 2" POLYMERIZED SURFACE COURSE

PROPOSED LEGEND

- (1) MAINLINE RESURFACING, 1 3/4" INCLUDES: 1 3/4" POLYMERIZED HOT-MIX ASPHALT SURFACE COURSE, MIX "D", N105
- (2) POLYMERIZED LEVELING BINDER (MACHINE METHOD), N90 (3/4" MIN. VARIABLE DEPTH) (AS NECESSARY)
- (3) SHOULDER RESURFACING, 1 3/4" INCLUDES: 1 3/4" HOT-MIX ASPHALT SURFACE COURSE, MIX "C", N50
- (3A) SHOULDER RESURFACING, 1 3/4" INCLUDES: 1 3/4" POLYMERIZED HOT-MIX ASPHALT SURFACE COURSE, MIX "D", N105
- (4) FULL-DEPTH HOT-MIX ASPHALT SHOULDERS, 12" INCLUDES: 1 3/4" HOT-MIX ASPHALT SURFACE COURSE, MIX "C", N50 10 1/4" HOT-MIX ASPHALT BINDER COURSE, IL-19.0, N50 6" AGGREGATE BASE COURSE, TYPE A
- (4A) FULL-DEPTH HOT-MIX ASPHALT SHOULDERS, 12" INCLUDES: 1 3/4" POLYMERIZED HOT-MIX ASPHALT SURFACE COURSE, MIX "D", N105 10 1/4" HOT-MIX ASPHALT BINDER COURSE, IL-19.0, N90 6" AGGREGATE BASE COURSE, TYPE A
- (5) FULL-DEPTH CRC PAVEMENT INCLUDES: 10" CONTINUOUSLY REINFORCED PORTLAND CEMENT CONCRETE PAVEMENT 4" STABILIZED SUB-BASE (HMA) 12" AGGREGATE SUBGRADE
- (6) FULL-DEPTH CONCRETE SHOULDERS INCLUDES: 10" PORTLAND CEMENT CONCRETE SHOULDERS 4" SUB-BASE GRANULAR MATERIAL, TYPE C 12" AGGREGATE SUBGRADE
- (7) GUARDRAIL STABILIZATION HOT-MIX ASPHALT SHOULDERS 6"
- (8) AGGREGATE SHOULDERS, TYPE B 8"
- (9) PROPOSED GROUND LINE
- (10) PROPOSED 4" PIPE UNDERDRAIN

TYLIN INTERNATIONAL

USER NAME = *USER*	DESIGNED - CAC	REVISED -
PLOT SCALE = *SCALE*	DRAWN - CAC	REVISED -
PLOT DATE = 8/14/2009	CHECKED - JDF	REVISED -
	DATE - 08/14/2009	REVISED -

**STATE OF ILLINOIS
DEPARTMENT OF TRANSPORTATION**

**F.A.I. ROUTE 80 (I-80)
EXISTING AND PROPOSED TYPICAL SECTIONS**

SCALE:	SHEET NO.	OF SHEETS	STA.	TO STA.	F.A.I. RTE. 80	SECTION	COUNTY	TOTAL SHEETS	SHEET NO.
							BUREAU	144	12
					CONTRACT NO. 66908				
					ILLINOIS FED. AID PROJECT				
					* 06-17BR & BR-1,TVB-M, 6BR & 6, 7 RS-1 & IJ				