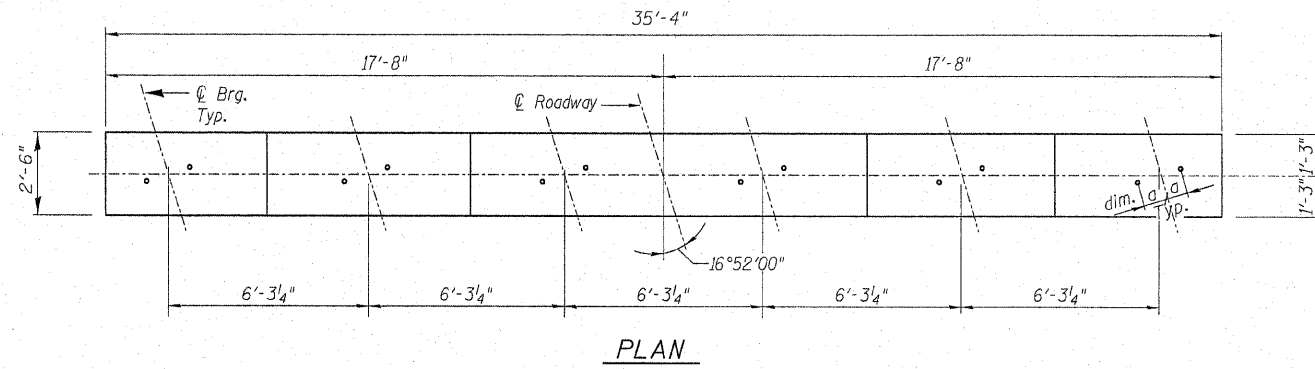


STATE OF ILLINOIS
DEPARTMENT OF TRANSPORTATION

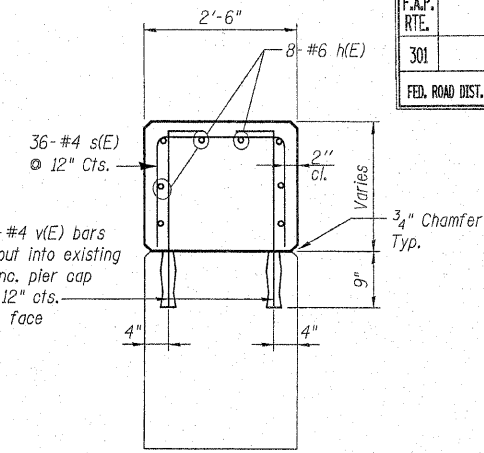
F.A.P. RTE.	SECTION	COUNTY	TOTAL SHEETS	SHEET NO.
301	1-HBR-2F	WINNEBAGO	29	19
FED. ROAD DIST. NO. 7	ILLINOIS	CONTRACT NO. 64F62		

SHEET NO. 17
27 SHEETS

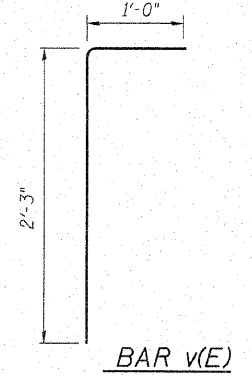
Notes:
Space reinforcement in cap to miss anchor bolts.
Four steps monolithically with cap.



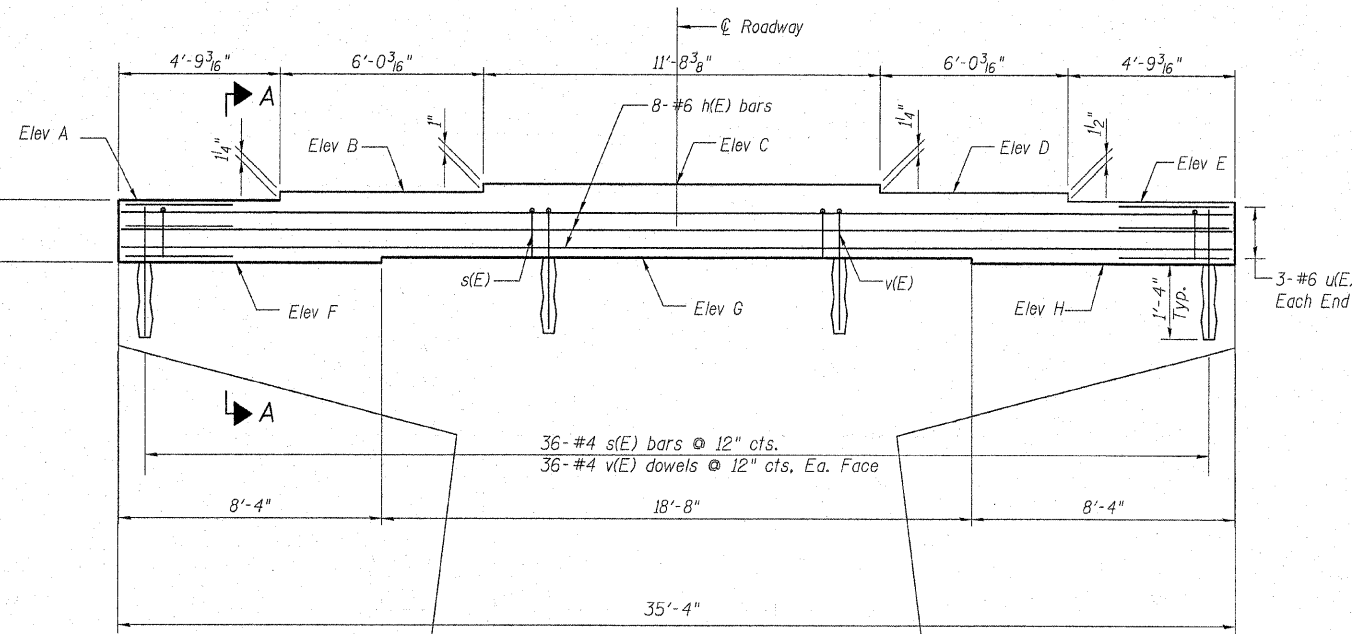
PLAN



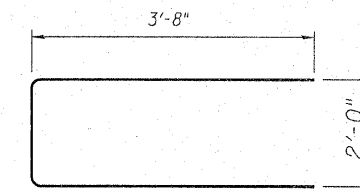
SECTION A-A



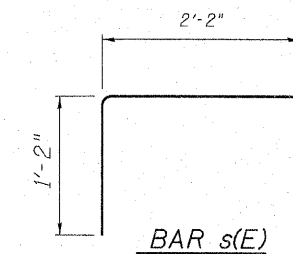
BAR v(E)



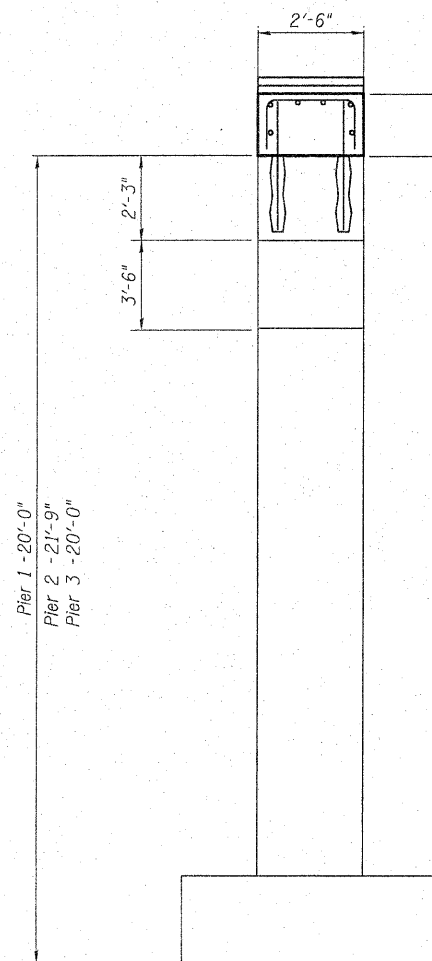
ELEVATION
(Looking North)



BAR u(E)



BAR s(E)



END VIEW

BILL OF MATERIAL (ONE PIER)

Bar	No.	Size	Length	Shape
h(E)	8	#6	35'-0"	—
s(E)	36	#4	4'-6"	□
u(E)	6	#6	9'-4"	—
v(E)	72	#4	3'-3"	—
Concrete Structures			Cu. Yd.	4.2
Reinforcement Bars, Epoxy Coated			Pound	770.0

	Pier 1	Pier 2	Pier 3
Elev. A	784.17	784.57	784.76
Elev. B	784.27	784.67	784.86
Elev. C	784.35	784.74	784.93
Elev. D	784.25	784.64	784.83
Elev. E	784.13	784.52	784.71
Elev. F	782.80	782.62	782.33
Elev. G	782.95	782.78	782.49
Elev. H	782.80	782.62	782.33
dim. a	1'-0 7/8"	7 1/2"	1'-0 7/8"

FOR INFORMATION ONLY
PIER DETAILS (1, 2 & 3)
MERIDIAN ROAD OVER US 20
F.A.P. 301 (US 20) - SEC. 1-HBR-2 F
WINNEBAGO COUNTY
STATION 100+00
STRUCTURE NO. 101-0096

12:07:34 PM 7/22/2009 h:\proj\2945\GIS\Structural\Meridian_Road\Draws from SDNDGN Files\Final Drawings I-2009\100096-6\1050-017-PIERDET AILS.dgn

DESIGNED	GUN / OAO
CHECKED	FCO
DRAWN	TCS / GUN
CHECKED	FCO