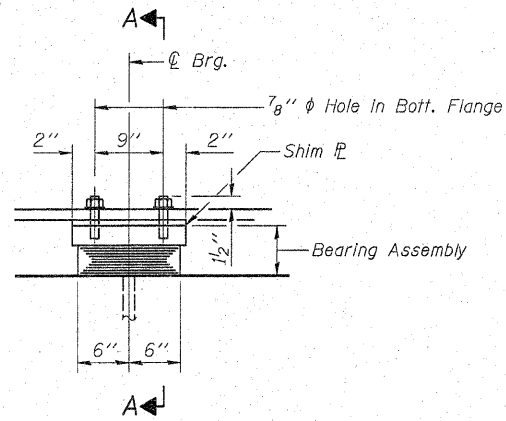
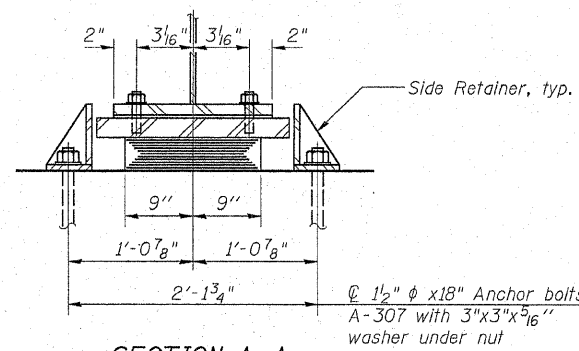


STATE OF ILLINOIS
DEPARTMENT OF TRANSPORTATION

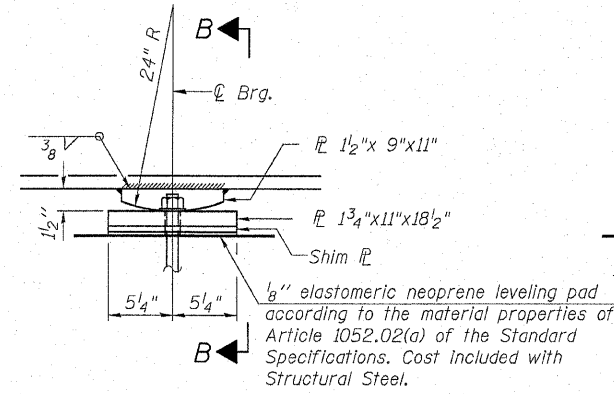
F.A.P. RTE.	SECTION	COUNTY	TOTAL SHEET NO.	SHEET NO. 12
301	1-HBR-2F	WINNEBAGO	29 14	27 SHEETS
FED. ROAD DIST. NO. 7	ILLINOIS	CONTRACT NO. 64F62		



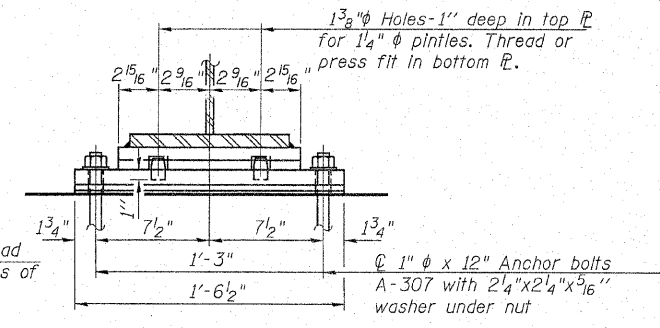
ELEVATION AT PIERS 1 & 3



SECTION A-A



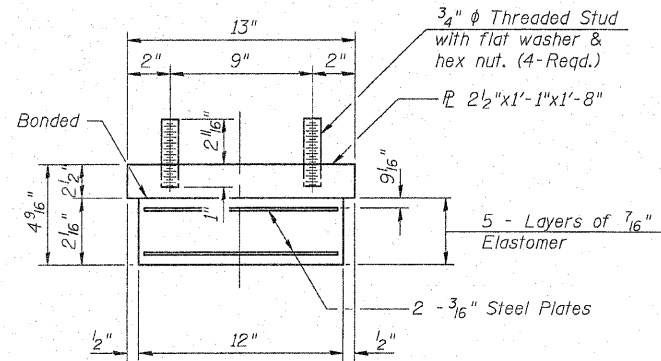
ELEVATION AT PIER 2



SECTION B-B

TYPE I ELASTOMERIC EXP. BRG.

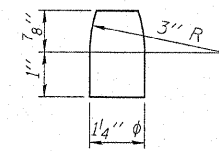
FIXED BEARING



BEARING ASSEMBLY

Notes:
Side retainers and other steel members required for the bearing assembly shall be included in the cost of Furnishing Elastomeric Bearing Assembly, Type I.
Two 1/8 in. adjusting shims shall be provided for each bearing in addition to all other plates or shims and placed as shown on bearing details.

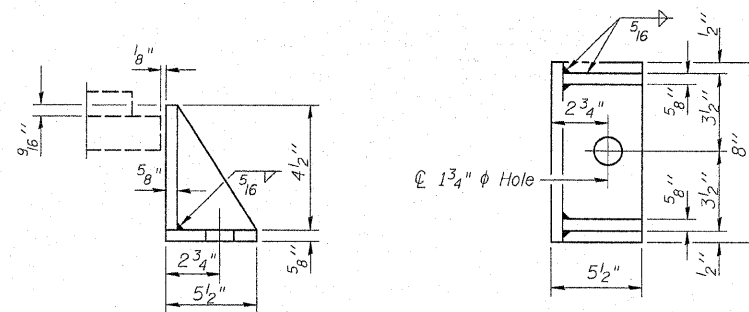
Anchor Bolts not included in this contract.



PINTLE

Note:
Shim plates shall not be placed under Bearing Assembly.

The structural steel plates of the Bearing Assembly shall conform to the requirements of AASHTO M 270 Grade 36.



SIDE RETAINER FOR PIERS 1 & 3

Equivalent rolled angle with stiffeners will be allowed in lieu of welded plates.

BILL OF MATERIAL

Item	Unit	Total
Furnishing Elastomeric Bearing Assembly Type I	Each	12

DESIGNED	GUN / OAO
CHECKED	FCO
DRAWN	TCS / GUN
CHECKED	FCO

11-1-06

BEARING DETAILS (PIERS)
MERIDIAN ROAD OVER US 20
F.A.P. 301 (US 20) - SEC. 1-HBR-2F
WINNEBAGO COUNTY
STATION 100+00
STRUCTURE NO. 101-0096

HOH

HARRY O. HEFFER-ASSOCIATES, INC.
DESIGN AND CONSULTING ENGINEERS

55 East Jackson Blvd.
Suite 500
Chicago, IL 60604
312-346-4131

PROJECT NUMBER
2945

12/07/10 PM

7/22/2009

A:\proj\act\2945\06\US\Structural\Meridian_Road\Draws from_SDD\DM Files\Final Drawings 1-2009\10100096-64D50-012-BEARDET AILS.dgn