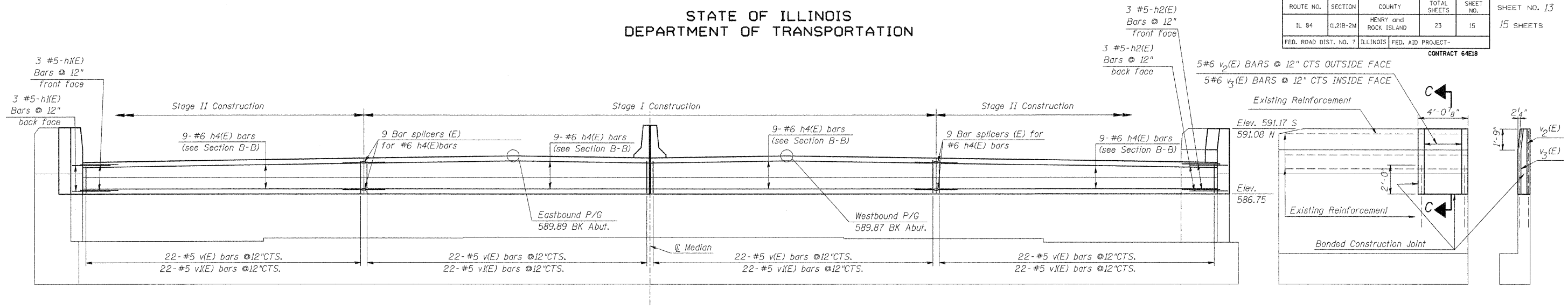


STATE OF ILLINOIS  
DEPARTMENT OF TRANSPORTATION

ROUTE NO.	SECTION	COUNTY	TOTAL SHEETS	SHEET NO.
IL 84	(1,2)B-2M	HENRY and ROCK ISLAND	23	15
FED. ROAD DIST. NO. 7 ILLINOIS FED. AID PROJECT-				

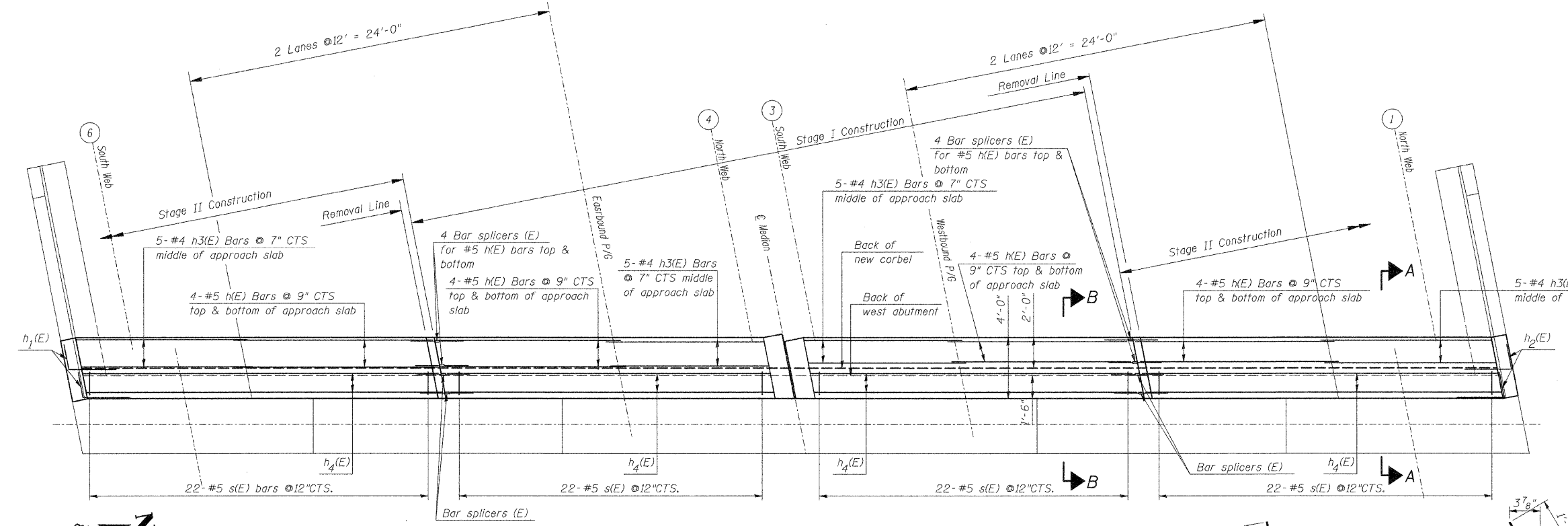
CONTRACT 64E18

SHEET NO. 13  
15 SHEETS

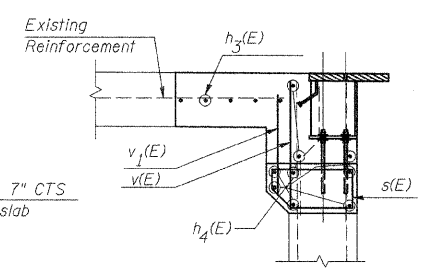


ELEVATION

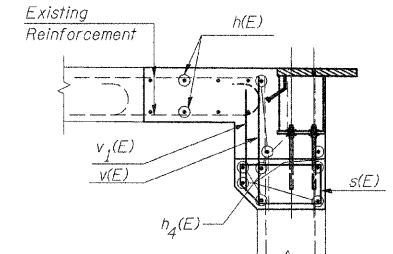
INSIDE ELEVATION WINGWALL SECTION C-C



PLAN



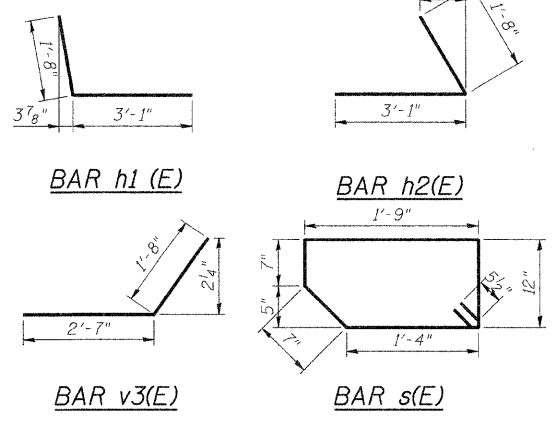
SECTION A-A



SECTION B-B

BILL OF MATERIAL

Bar	No.	Size	Length	Shape	Location	
h(E)	32	#5	13'-0"	—	Approach Slab	
h1(E)	6	#5	4'-9"	└	Wingwall- Abutment	
h2(E)	6	#5	4'-9"	└	Wingwall- Abutment	
h3(E)	20	#5	13'-0"	—	Approach Slab	
h4(E)	36	#6	23'-3"	—	Abutment	
v(E)	88	#5	2'-10"	—	Abutment	
v1(E)	88	#5	2'-5"	—	Abutment	
v2(E)	10	#6	4'-3"	—	Wingwall	
v3(E)	10	#6	4'-3"	—	Wingwall	
s(E)	88	#5	6'-2"	—	Abutment	
Reinforcement Bars, Epoxy Coated					POUNDS	3,200
Concrete Removal					Cu. Yd.	16.2
Concrete Superstructure					Cu. Yd.	20.7



DESIGNED	M.H.
CHECKED	P.B.
DRAWN	C.L.
CHECKED	M.H./P.B.

**CONCRETE PLACEMENT WEST ABUTMENT**  
 IL ROUTE 84 OVER ROCK RIVER  
 FAP ROUTE 595 (IL 84), SECTION (1,2)B-2-M  
 HENRY COUNTIES  
 STATION 189+44  
 STRUCTURE NO. 037-0128

SCALE: DATE: Sept. 30, 2009  
 Soodan & Associates, Inc.  
 100 North LaSalle Street, Suite 1800  
 Chicago, Illinois 60602