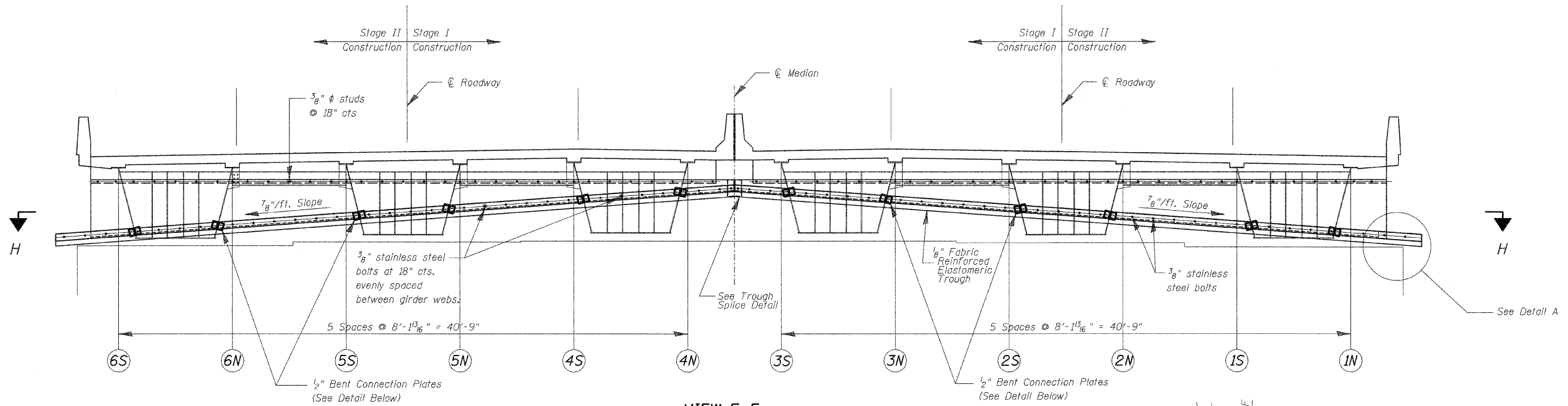


STATE OF ILLINOIS
DEPARTMENT OF TRANSPORTATION

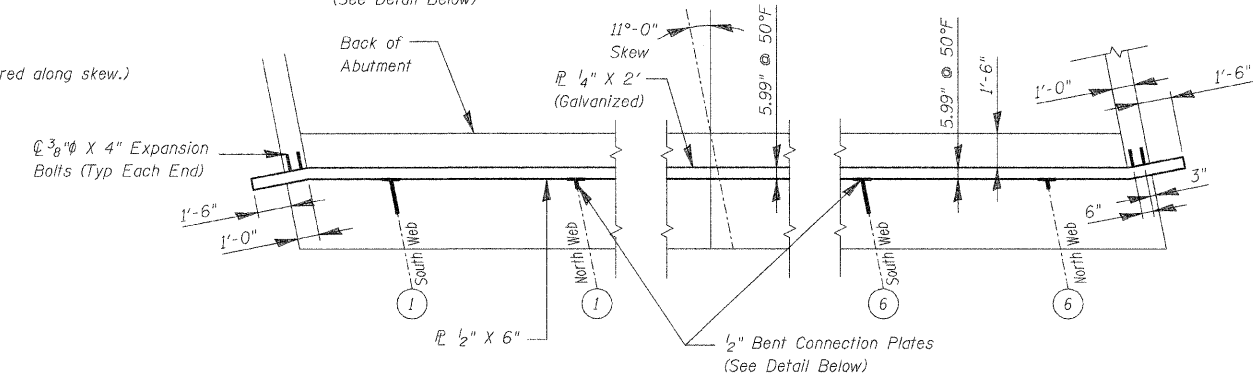
ROUTE NO.	SECTION	COUNTY	TOTAL SHEETS	SHEET NO.
IL 84	(1,2)B-2M	HENRY and ROCK ISLAND	73	12
FED. ROAD DIST. NO. 7	ILLINOIS	FED. AID PROJECT-	CONTRACT 64E18	

SHEET NO. 10
15 SHEETS

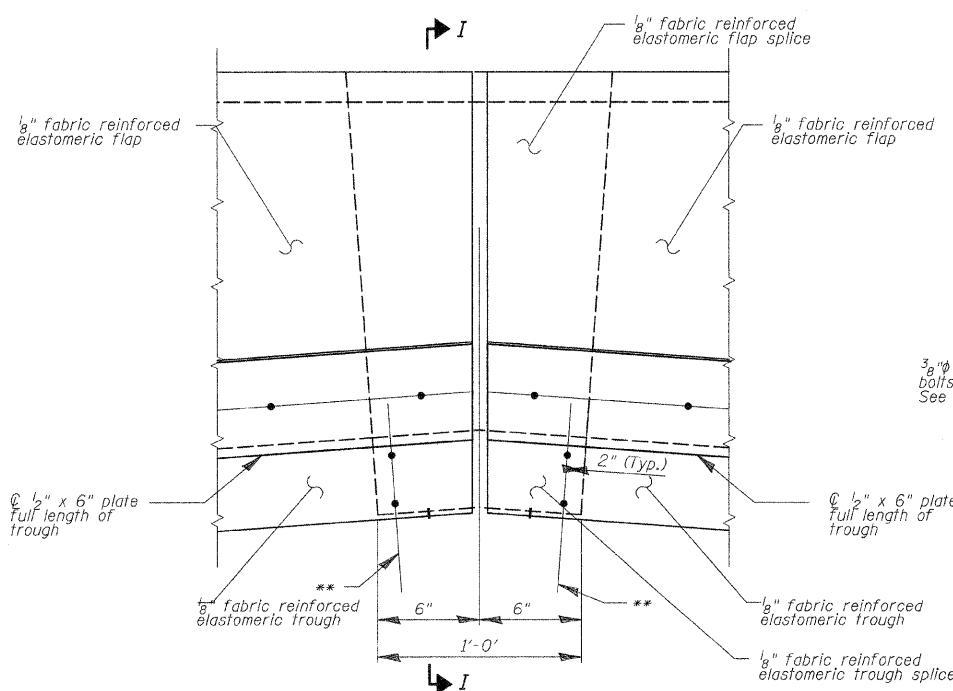


VIEW E-E

(Horizontal dimensions are measured along skew.)

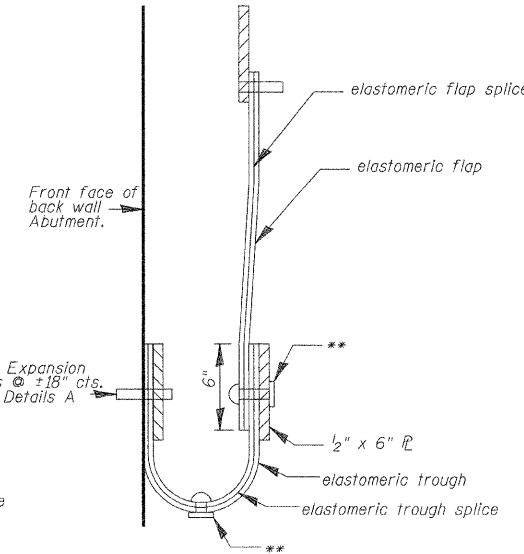


VIEW H-H

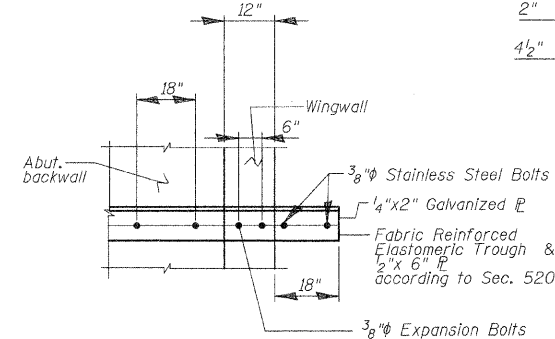


TROUGH SPLICE DETAIL

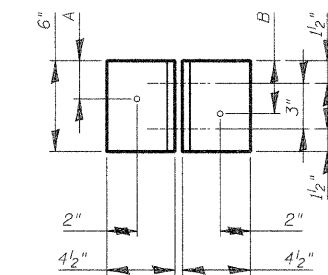
**3/8" ϕ Stainless Steel bolts w/ washers & nuts. Provide brass grommet in trough.



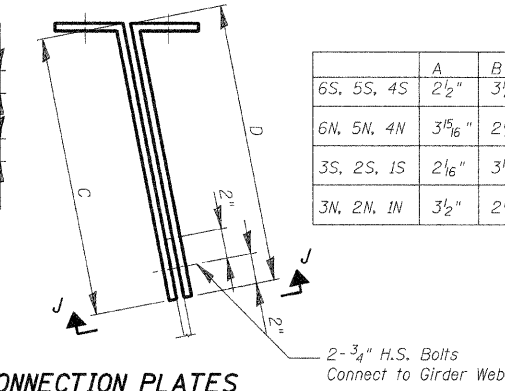
SECTION I-I



DETAIL A



VIEW J-J



BENT CONNECTION PLATES

	A	B	C	D
6S, 5S, 4S	2 1/2"	3 1/2"	1'-6 9/16"	1'-6 1/16"
6N, 5N, 4N	3 5/16"	2 1/16"	4 1/16"	4 5/8"
3S, 2S, 1S	2 1/16"	3 5/16"	1'-6 9/16"	1'-6 7/16"
3N, 2N, 1N	3 1/2"	2 1/2"	4 1/16"	4 5/8"

TROUGH DETAIL
IL ROUTE 84 OVER ROCK RIVER
FAP ROUTE 595 (IL 84), SECTION (1,2)B-2-M
HENRY COUNTIES
STATION 189+44
STRUCTURE NO. 037-0128

DESIGNED	M.H.
CHECKED	P.B.
DRAWN	C.L.
CHECKED	M.H./P.B.