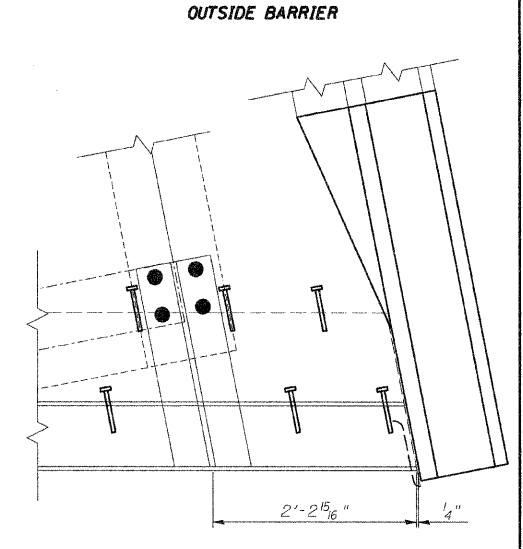
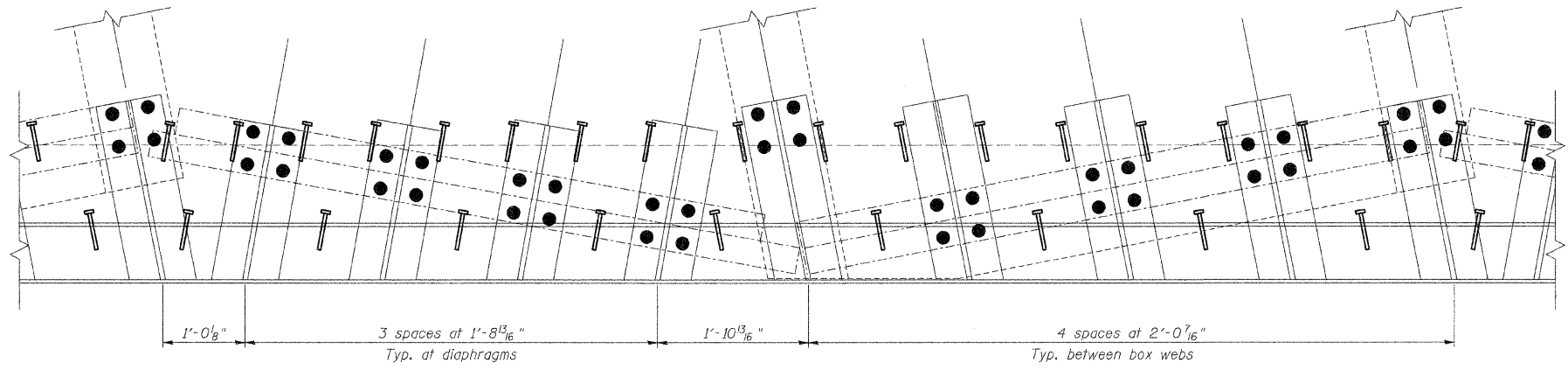
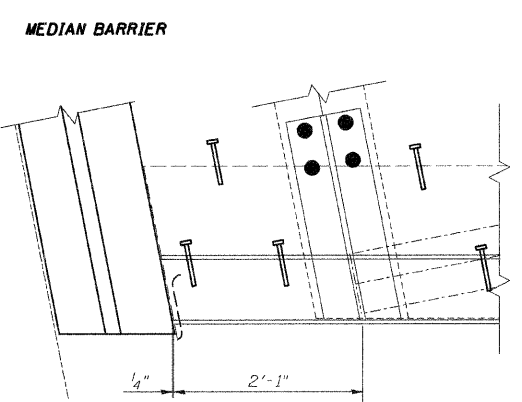
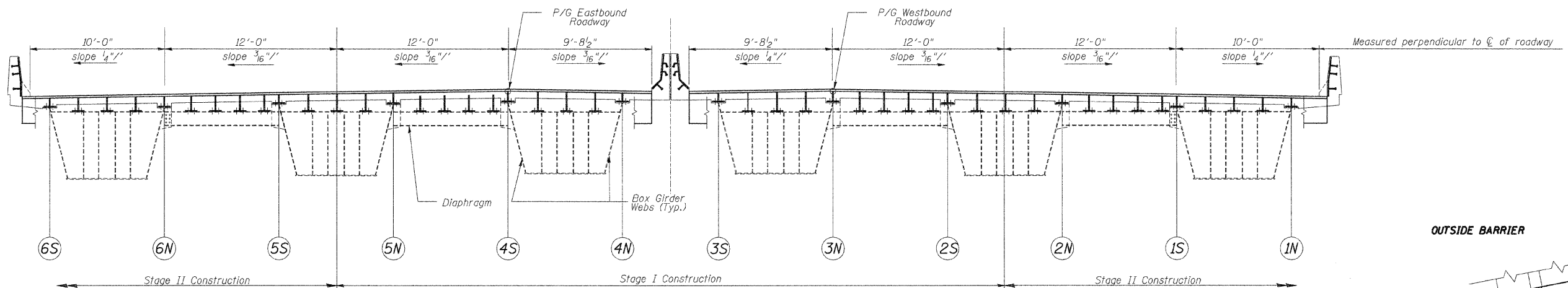
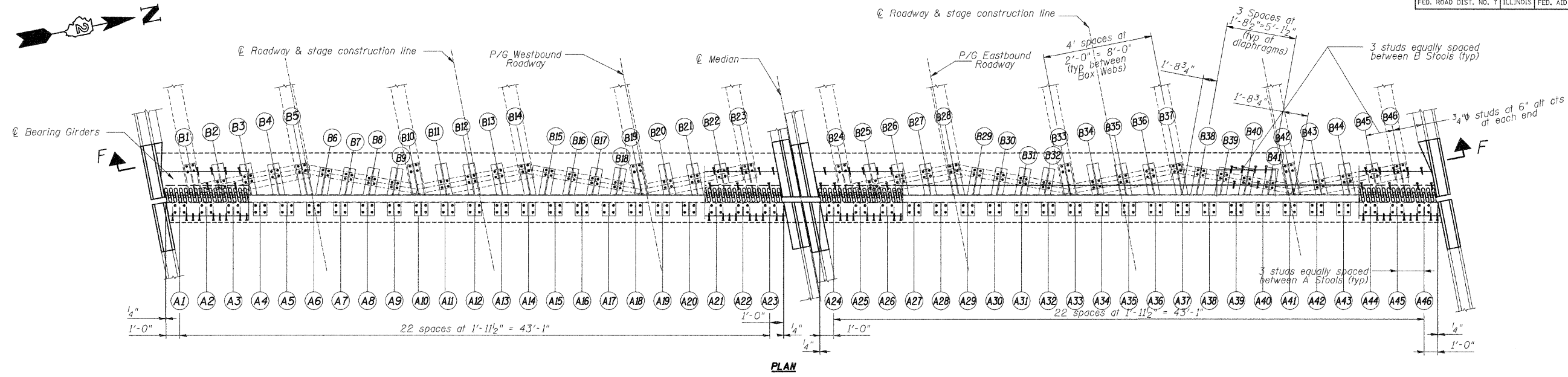


STATE OF ILLINOIS
DEPARTMENT OF TRANSPORTATION

ROUTE NO.	SECTION	COUNTY	TOTAL SHEETS	SHEET NO.
IL 84	(1,2)B-2M	HENRY and ROCK ISLAND	23	11
FED. ROAD DIST. NO. 7		ILLINOIS FED. AID PROJECT-	CONTRACT 64E18	

SHEET NO. 9
15 SHEETS



DESIGNED	M.H.
CHECKED	P.B.
DRAWN	C.L.
CHECKED	M.H./P.B.

**JOINT PLAN & ELEVATION
EAST ABUTMENT**
IL ROUTE 84 OVER ROCK RIVER
FAP ROUTE 595 (IL 84), SECTION (1,2)B-2-M
HENRY COUNTIES
STATION 189+44
STRUCTURE NO. 037-0128

SCALE: DATE: Sept. 30, 2009
Soodan & Associates, Inc.
100 North LaSalle Street, Suite 1800
Chicago, Illinois 60602

Soodan