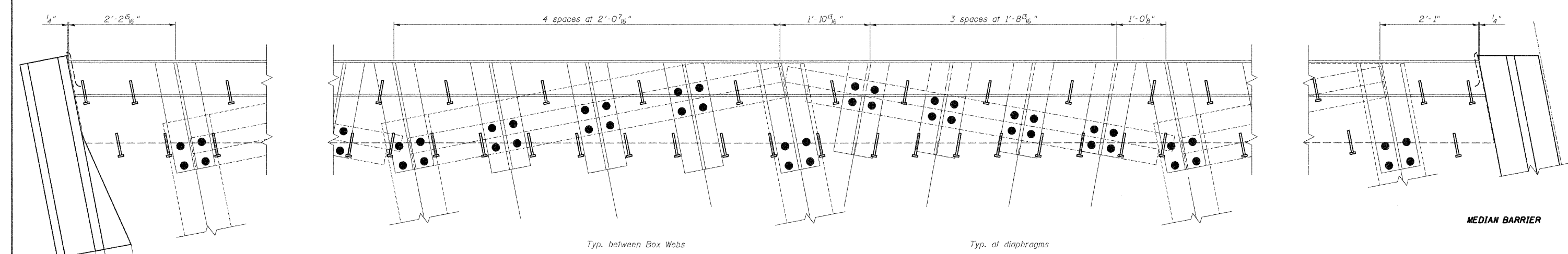
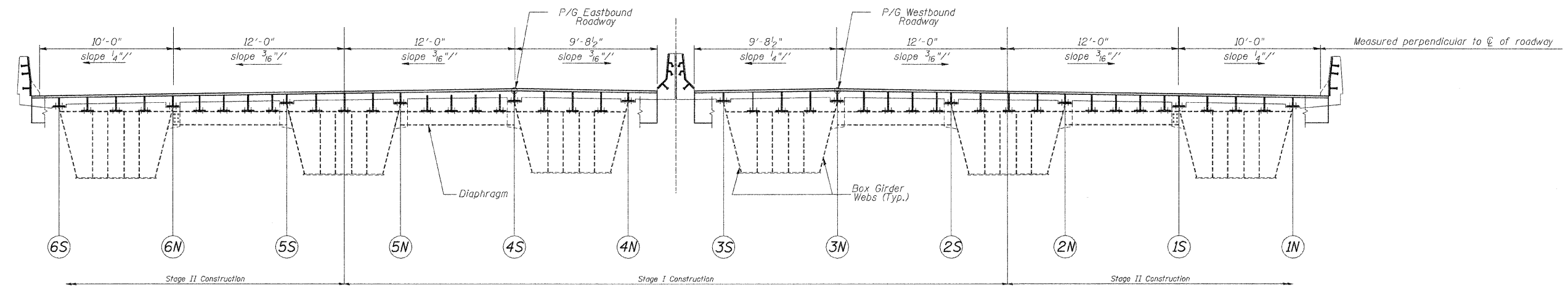
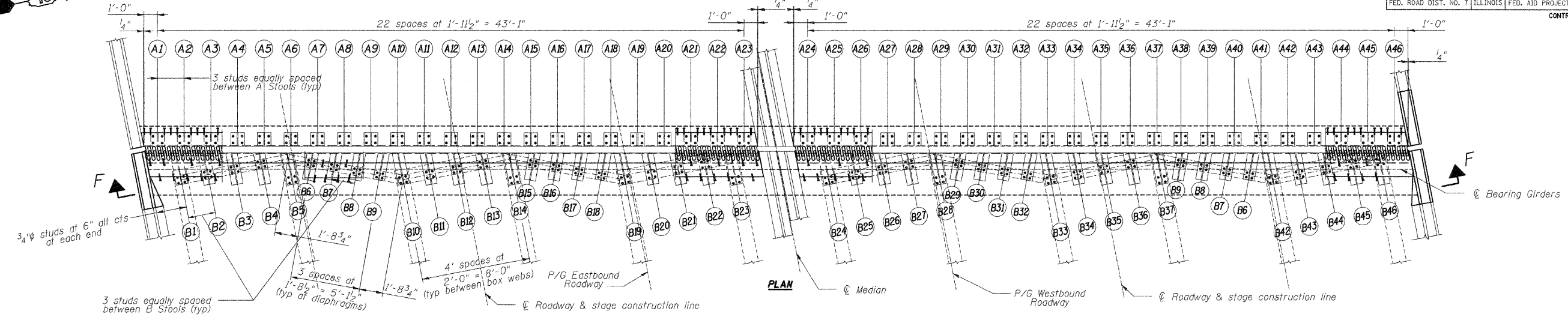


STATE OF ILLINOIS
DEPARTMENT OF TRANSPORTATION

| | | | | | |
|-----------------------|-----------|-----------------------|----------------|-----------|--------------------------|
| ROUTE NO. | SECTION | COUNTY | TOTAL SHEETS | SHEET NO. | SHEET NO. 8 15 SHEETS |
| IL 84 | (1,2)B-2M | HENRY and ROCK ISLAND | 23 | 10 | |
| FED. ROAD DIST. NO. 7 | ILLINOIS | FED. AID PROJECT- | CONTRACT 64E18 | | |



| | |
|----------|-----------|
| DESIGNED | M.H. |
| CHECKED | P.B. |
| DRAWN | C.L. |
| CHECKED | M.H./P.B. |

PLAN
Showing Stool B Layout
Span Side

JOINT PLAN & ELEVATION
WEST ABUTMENT
IL ROUTE 84 OVER ROCK RIVER
FAP ROUTE 595 (IL 84), SECTION (1,2)B-2-M
HENRY COUNTIES
STATION 189+44
STRUCTURE NO. 037-0128

SCALE: DATE: Sept. 30, 2009

Soodan
Soodan & Associates, Inc.
100 North LaSalle Street, Suite 1800
Chicago, Illinois 60602