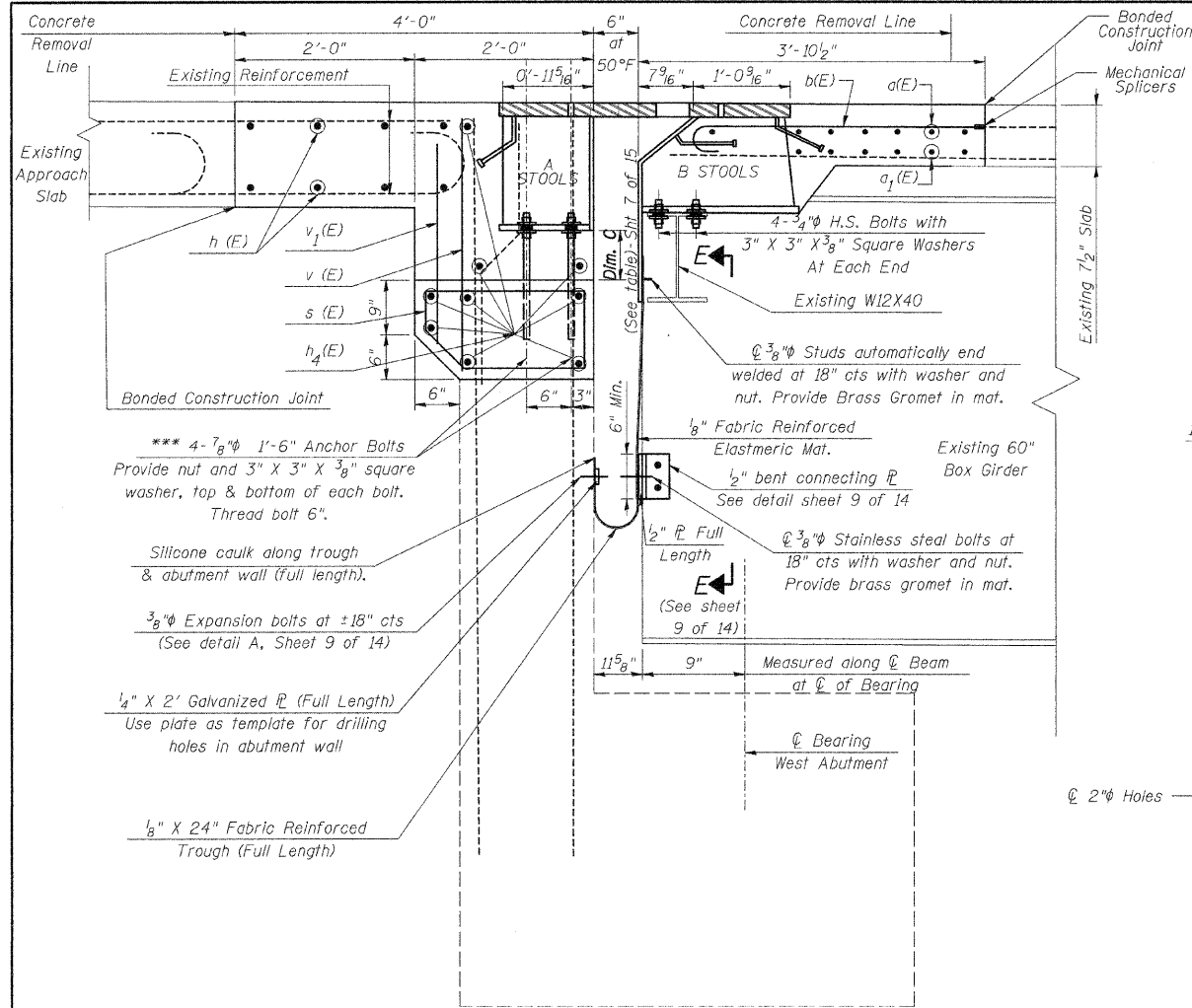


STATE OF ILLINOIS
DEPARTMENT OF TRANSPORTATION

ROUTE NO.	SECTION	COUNTY	TOTAL SHEETS	SHEET NO.
IL 84	(1,2)B-2M	HENRY and ROCK ISLAND	23	8
FED. ROAD DIST. NO. 7 ILLINOIS FED. AID PROJECT- CONTRACT 64E18				

SHEET NO. 6
15 SHEETS



*** 4-7/8" 1'-6" Anchor Bolts
Provide nut and 3" X 3" X 3/8" square washer, top & bottom of each bolt. Thread bolt 6".

Silicone caulk along trough & abutment wall (full length).

3/8" Expansion bolts at ±18" cts (See detail A, Sheet 9 of 14)

1/4" X 2' Galvanized PL (Full Length)
Use plate as template for drilling holes in abutment wall

1/8" X 24" Fabric Reinforced Trough (Full Length)

SECTION B-B

* Provide 1/2" normal shim, two 1/4" shims, one 1/8" shim and one 1/16" shim for height adjustment. Tapered shims shall be added under the stools as required by the Engineer to make a smooth finger joint. Cost shall be included in the cost of Finger Plate Expansion Joint, 4".

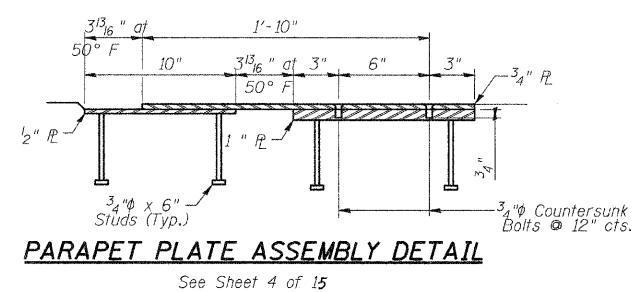
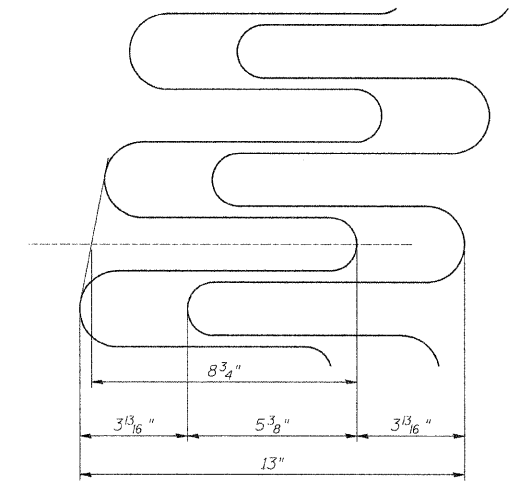
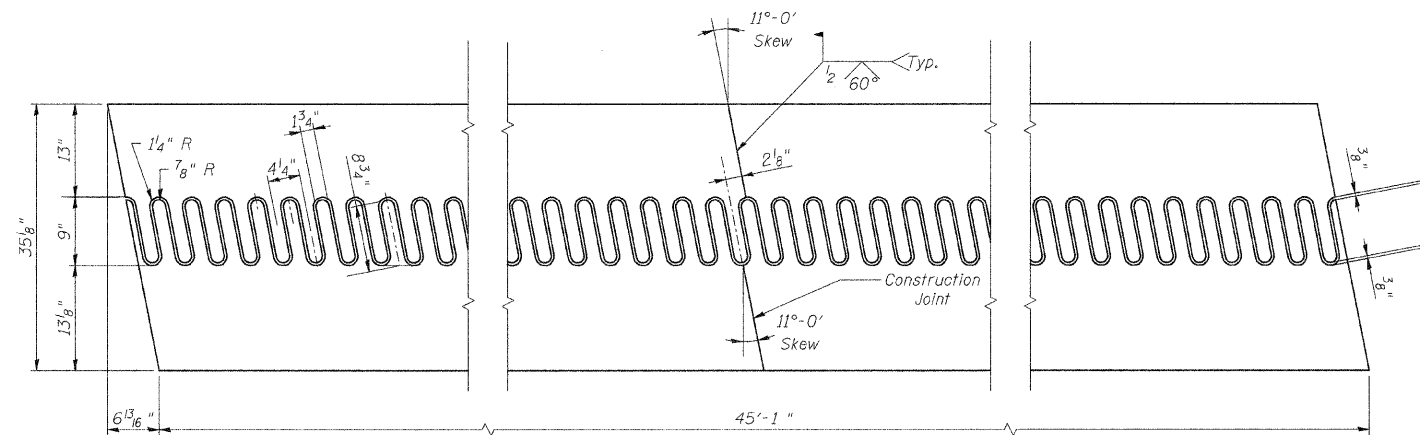
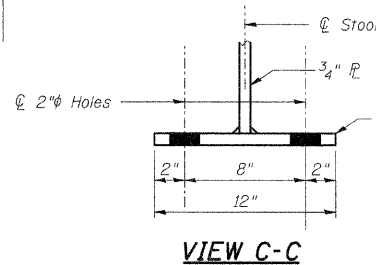
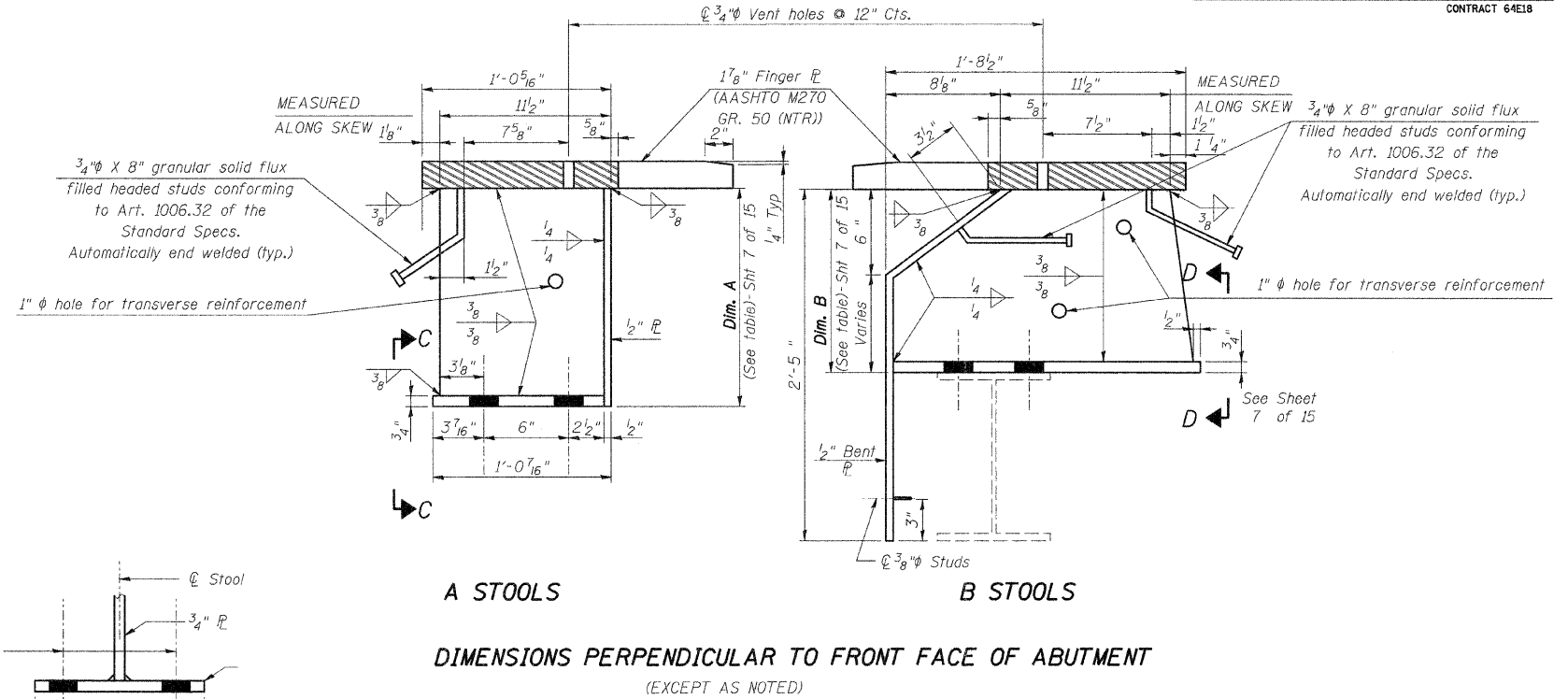
*** The contractor may use at his option, the capsule or the adhesive cartridge type anchor rods that have been previously tested and given a prior approval by the Department. The contractor shall install these anchor rods in pre-drilled holes (3" Min. depth) according to the manufacturer's recommendations and procedures.

The capsule or the adhesive cartridge type anchor rods shall be a two part system composed of:

1. A threaded rod stud with nut and washer of the type specified.
2. A sealed glass capsule or a sealed glass adhesive cartridge containing premeasured amounts of the adhesive chemical.

The anchor bolts, furnished and installed and including the epoxy grout or capsules shall not be paid for separately but shall be included in the unit bid price for Finger Plate Expansion Joint, 4".

DESIGNED	M.H.
CHECKED	P.B.
DRAWN	C.L.
CHECKED	M.H./P.B.



1. For Stool Locations See Sheet 8 & 9 of 15
2. For View E-E See Sheet 10 of 15
3. For Section D-D See Sheet 7 of 15
4. Existing shear studs that interfere with the finger plate stools shall be removed using the air-arc method and grind smooth all weld material remaining on the top flange. Cost included with Finger Plate Expansion Joint, 4".

JOINT DETAILS
IL ROUTE 84 OVER ROCK RIVER
FAP ROUTE 595 (IL 84), SECTION (1,2)B-2-M
HENRY COUNTIES
STATION 189+44
STRUCTURE NO. 037-0128

SCALE: DATE: Sept. 30, 2009
Soodan & Associates, Inc.
100 North LaSalle Street, Suite 1800
Chicago, Illinois 60602

Soodan