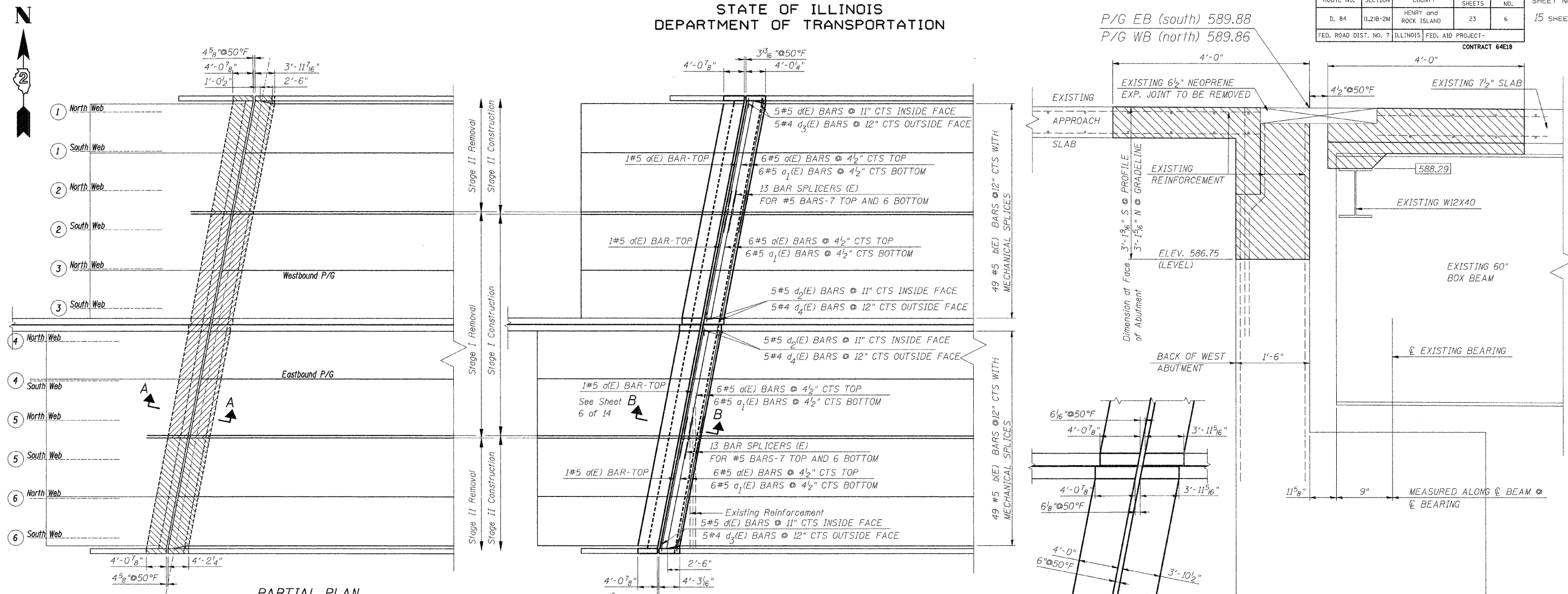


STATE OF ILLINOIS
DEPARTMENT OF TRANSPORTATION

ROUTE NO.	SECTION	COUNTY	TOTAL SHEETS	SHEET NO.	SHEET NO. 4 15 SHEETS
IL 84	(1,2)B-2M	HENRY and ROCK ISLAND	23	6	
FED. ROAD DIST. NO. 7	ILLINOIS	FED. AID PROJECT-			

CONTRACT 64E18

P/G EB (south) 589.88
P/G WB (north) 589.86

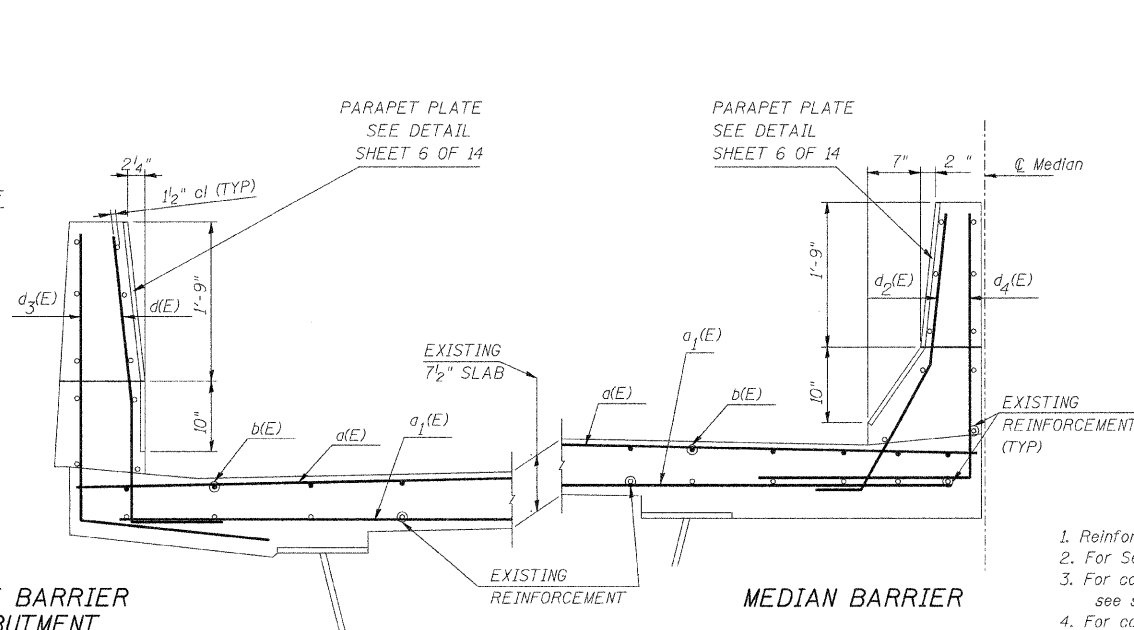
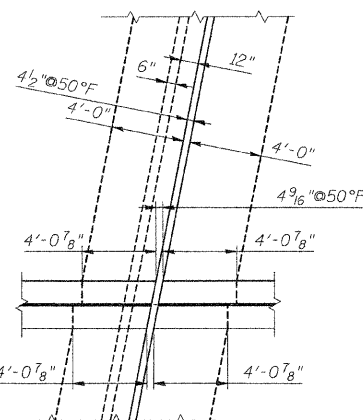


PARTIAL PLAN
SHOWING CONCRETE REMOVAL

PARTIAL PLAN
SHOWING CONCRETE REPLACEMENT

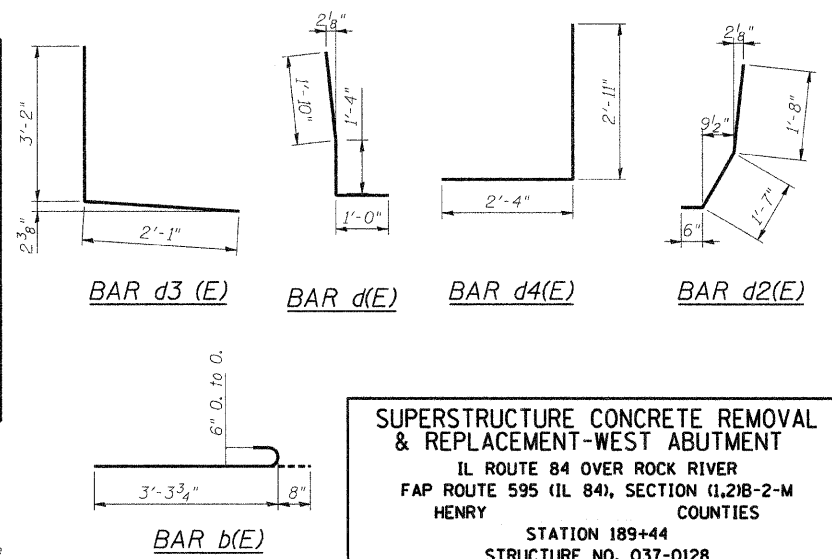
DIMENSIONS AT
PROPOSED JOINT
AT C ROADWAY

SECTION A-A



BILL OF MATERIAL

Bar	No.	Size	Length	Shape
d(E)	28	#5	26'-1"	
a ₁ (E)	24	#5	25'-1"	
b(E)	98	#5	3'-11 ³ / ₄ "	
d(E)	10	#5	4'-2"	
φ ₁ (E)	10	#5	3'-9"	
φ ₃ (E)	10	#4	5'-3"	
φ ₄ (E)	10	#4	5'-3"	
Concrete Removal		Cu. Yd.	15.3	
Concrete Superstructure		Cu. Yd.	15.3	
Reinforcement Bars Epoxy Coated		Lbs.	1950	



DESIGNED	M.H.
CHECKED	P.B.
DRAWN	C.L.
CHECKED	M.H./P.B.

1. Reinforcement bars designated (E) shall be epoxy coated.
2. For Section B-B. See Sheet 6 of 15.
3. For concrete removal details at the abutment, see sheet 11 & 12 of 15.
4. For concrete replacement and reinforcement details at the abutment, see sheet 13 & 14 of 15.
5. For bar splicer details, see sheet 15 of 15.
6. Hatched areas indicate concrete removal.

SUPERSTRUCTURE CONCRETE REMOVAL & REPLACEMENT-WEST ABUTMENT
 IL ROUTE 84 OVER ROCK RIVER
 FAP ROUTE 595 (IL 84), SECTION (1,2)B-2-M
 HENRY COUNTIES
 STATION 189+44
 STRUCTURE NO. 037-0128

SCALE: _____ DATE: Sept. 30, 2009
 Soodan & Associates, Inc.
 100 North LaSalle Street, Suite 1800
 Chicago, Illinois 60602