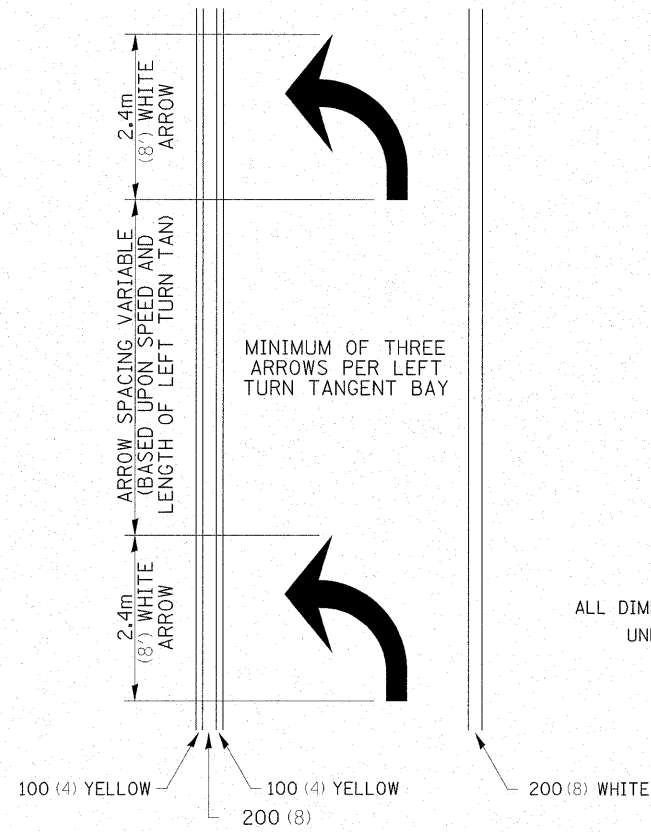


# TYPICAL PAVEMENT MARKINGS

## ARROW LAYOUT

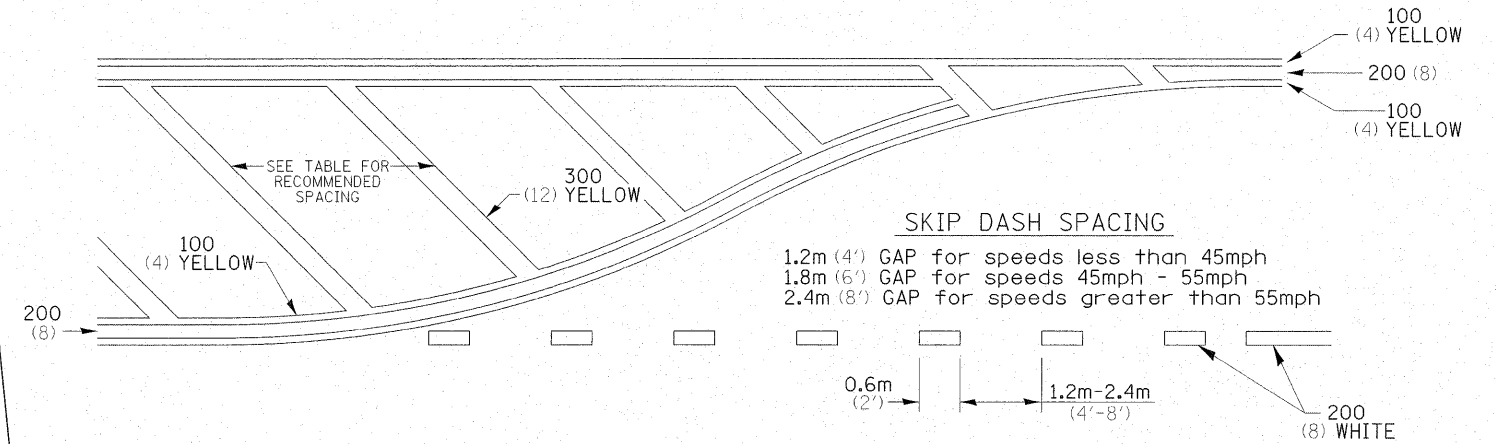


- ◀ ONE-WAY AMBER MARKER
- ◁ ONE-WAY CRYSTAL MARKER
- ◆ TWO-WAY AMBER MARKER

ALL DIMENSIONS ARE IN MILLIMETERS (INCHES) UNLESS OTHERWISE NOTED.

12.2m  
6 at (40') O.C.  
APPROACH SIDE ONLY

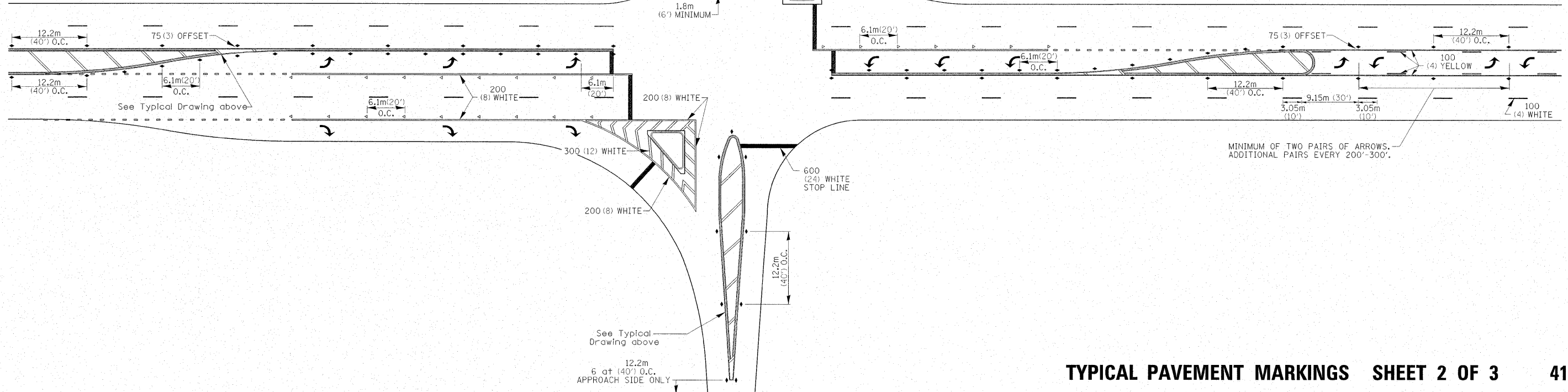
## TYPICAL PAVEMENT MARKING FOR FLUSH MEDIAN



### RECOMMENDED SPACING BETWEEN DIAGONALS (IN FEET)

| Speed Limit Range        | Continuous Median Area | Intersection Channelization | Objects (Islands) |
|--------------------------|------------------------|-----------------------------|-------------------|
| less than 50km/H (30MPH) | 15.3m (50')            | 4.53m (15')                 | 3.05m (10')       |
| 50-60km/H (30-40MPH)     | 22.9m (75')            | 6.1m (20')                  | 4.53m (15')       |
| 70km/H (45MPH) & over    | 22.9m (75')            | 9.05m (30')                 | 6.1m (20')        |

NOTE: if the spacing recommended in the Table does not permit at least five diagonal lines in the area being marked, the spacing from the next lowest speed range should be used. The recommended spacing is measured parallel to the pavement center line.



|             |                      |                        |                    |   |                                       |                     |          |                  |              |           |  |
|-------------|----------------------|------------------------|--------------------|---|---------------------------------------|---------------------|----------|------------------|--------------|-----------|--|
| FILE NAME = | USER NAME = \$USER\$ | DESIGNED -             | REVISED - 10-21-08 | <b>STATE OF ILLINOIS<br/>DEPARTMENT OF TRANSPORTATION</b> | <b>REGION 2 / DISTRICT 2 STANDARD</b> | F.A.P. RTE.         | SECTION  | COUNTY           | TOTAL SHEETS | SHEET NO. |  |
| \$FILEL\$   |                      | DRAWN -                | REVISED -          |   |                                       | 638                 | 129BR-3  | HENRY            | 73           | 63        |  |
|             |                      | CHECKED -              | REVISED -          |   |                                       | CONTRACT NO. 64B08  |          |                  |              |           |  |
|             |                      | DATE -                 | REVISED -          |   |                                       | FED. ROAD DIST. NO. | ILLINOIS | FED. AID PROJECT |              |           |  |
|             |                      | PLOT SCALE = \$SCALE\$ |                    | SCALE:  | SHEET NO.                             | OF                  | SHEETS   | STA.             | TO           | STA.      |  |
|             |                      | PLOT DATE = \$DATE\$   |                    |   |                                       |                     |          |                  |              |           |  |