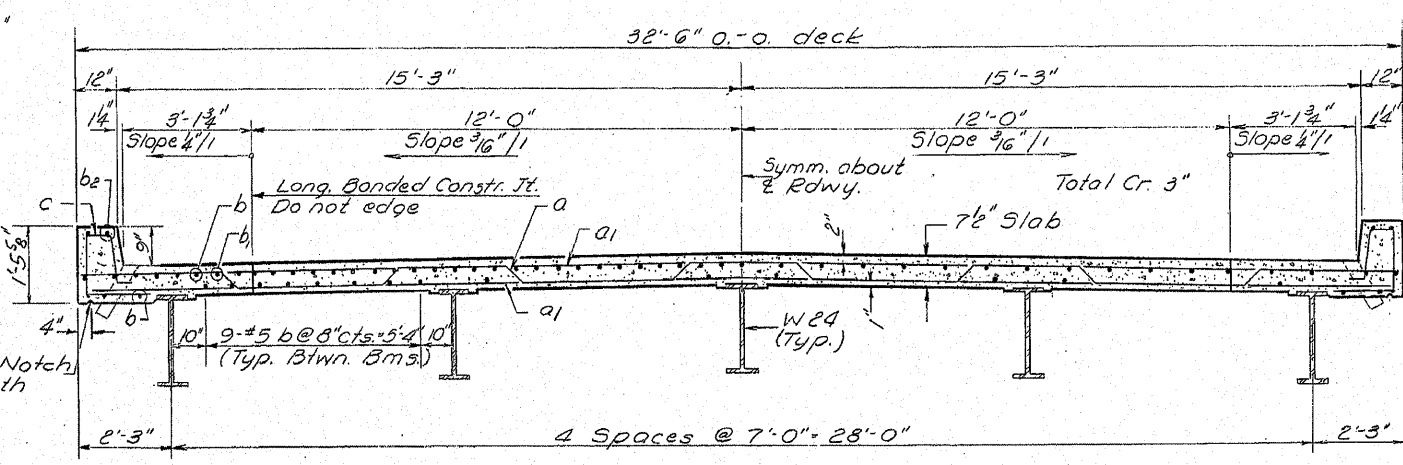
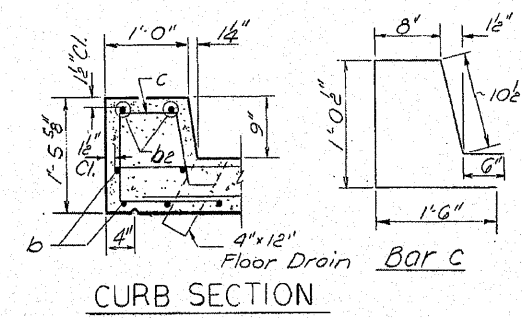
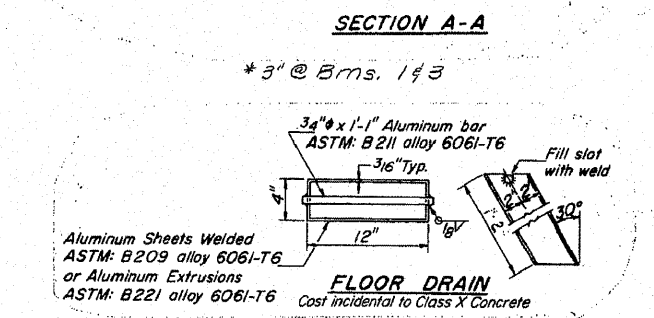
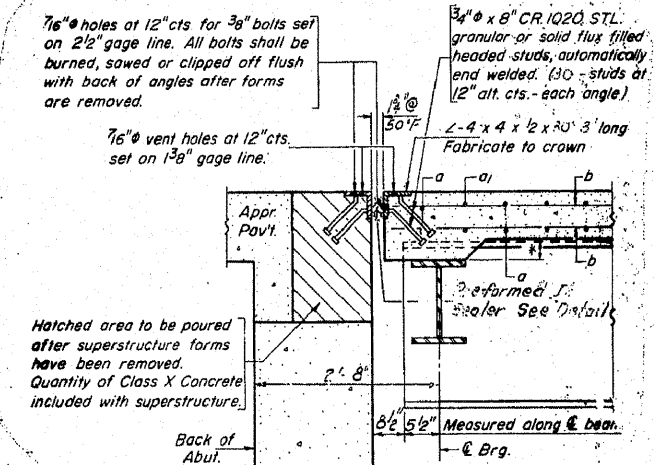
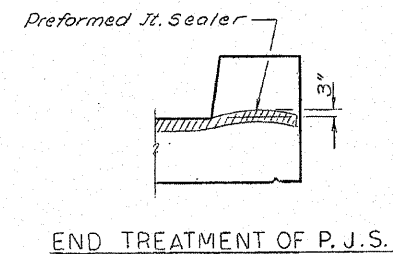
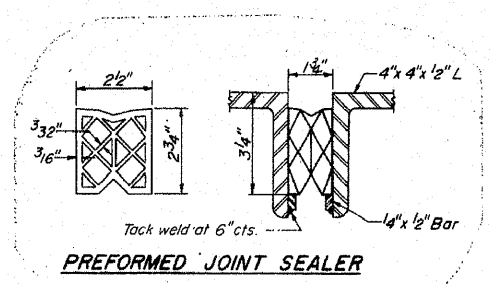
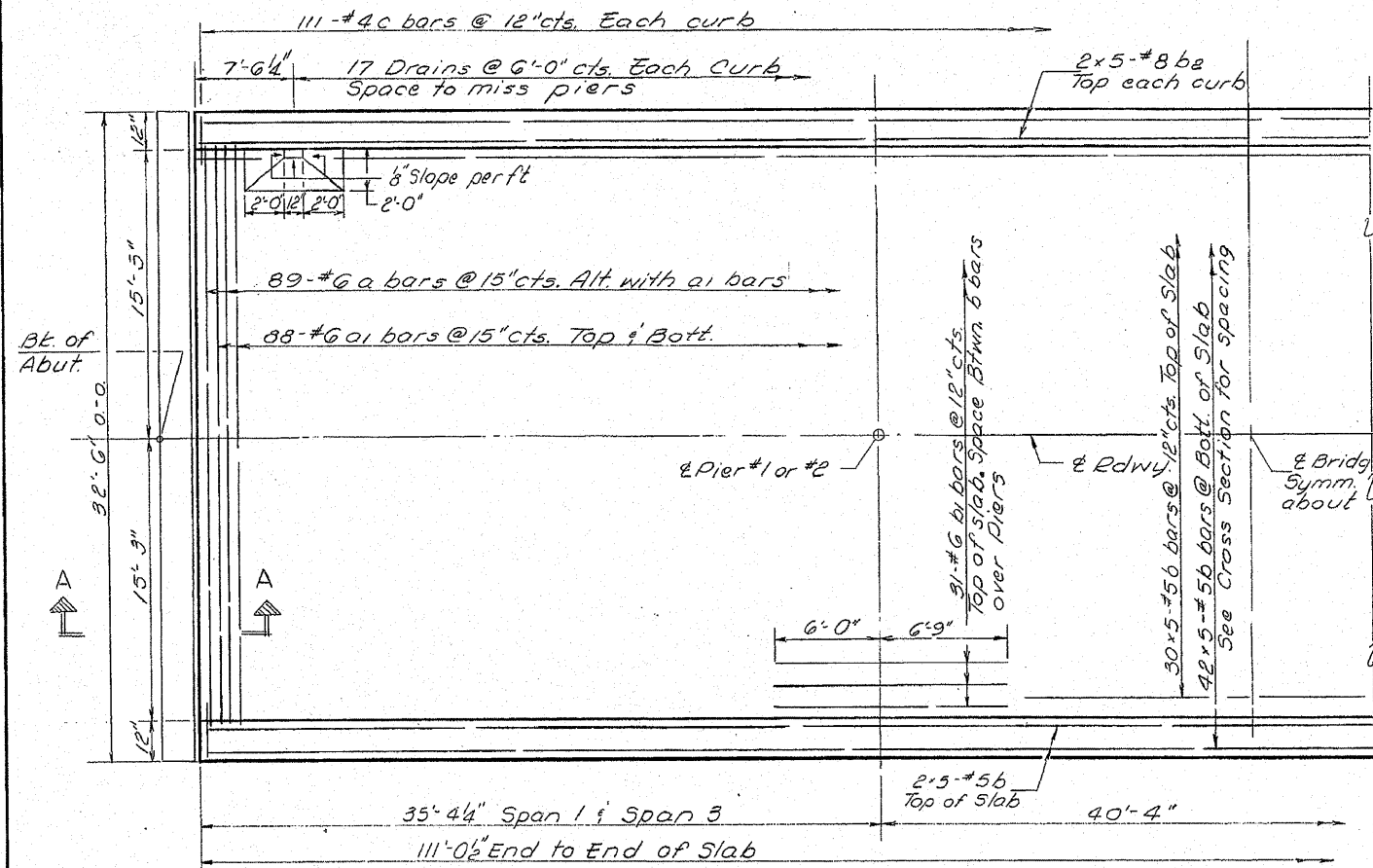


**SHOWN FOR  
INFORMATION ONLY**

ROUTE NO.	SECTION	COUNTY	TOTAL SHEETS	SHEET NO.	SHEET NO. 2
82	129B-1	Henry	38	14	10 SHEETS
FED. ROAD DIST. NO. 7		ILLINOIS	FED. AID PROJECT		



**BILL OF MATERIAL**

Bar	No	Size	Length	Shape
a	89	#6	33'-7"	U
a1	176	#6	32'-3"	U
b	380	#5	23'-0"	—
b1	62	#6	12'-9"	—
b2	20	#8	23'-6"	—
c	222	#4	4'-7"	L
Class X Concrete		Cu Yds.	95.5	
Reinforcement Bars		Lbs.	25,250	
Structural Steel		Lbs.	52,670	

DESIGNED: *[Signature]*  
CHECKED: R. F. Rodkey  
DRAWN: F. Mercado  
CHECKED: R. F. R.

EXAMINED: *[Signature]*  
PASSED:  
APPROVED: *[Signature]*

May 17 1971

SUPERSTRUCTURE DETAILS  
S.B.I. RT. 82 SEC. 129 B-1  
HENRY COUNTY  
STA. 1285+20.76