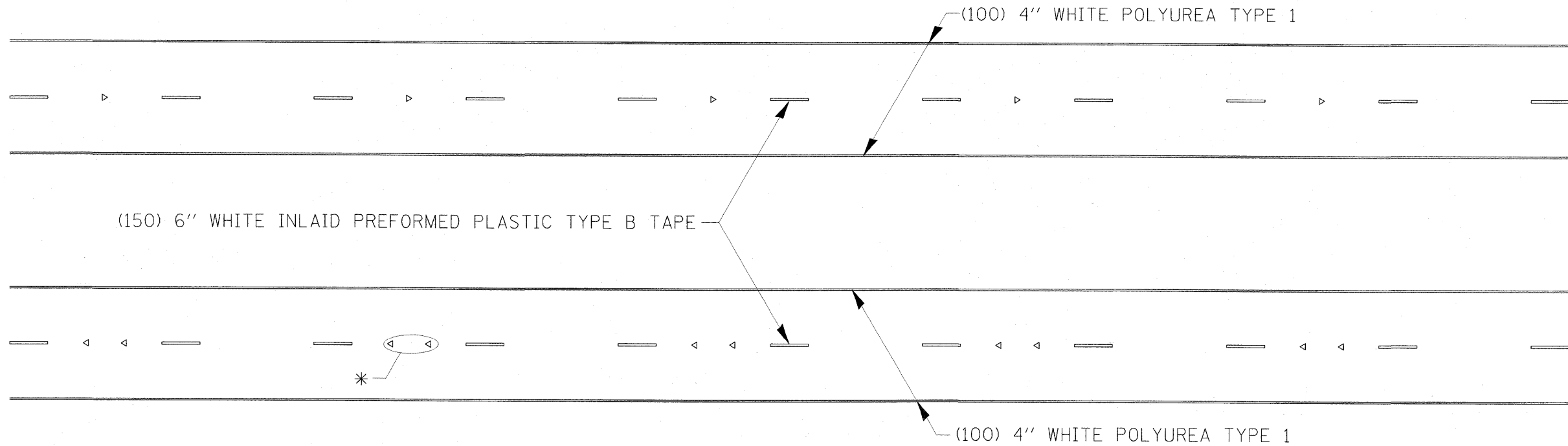
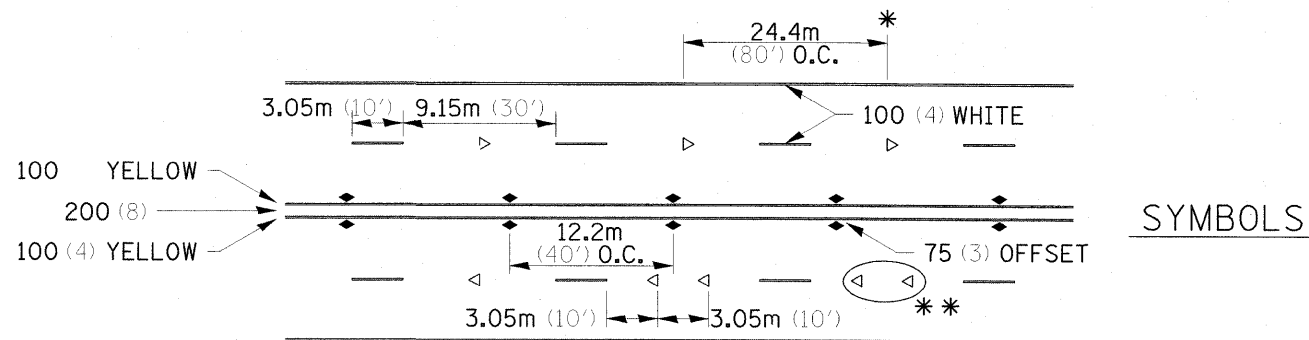


TYPICAL PAVEMENT MARKINGS



* SEE HIGHWAY STANDARD 781001 FOR SPACING DETAILS.
 USE DOUBLE MARKERS WHEN ADT \geq 25,000.

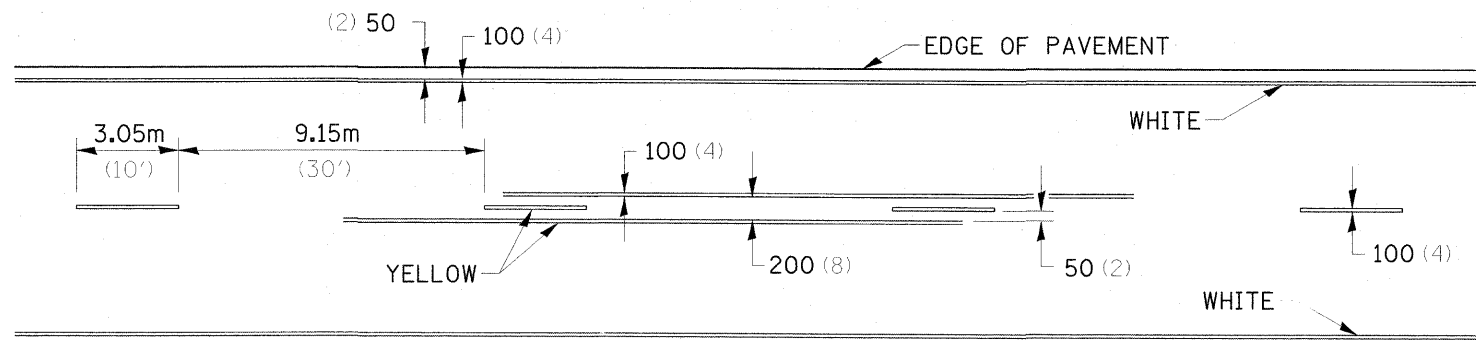
MULTI-LANE / DIVIDED



* REDUCE TO 12.2m (40') O.C. ON CURVES WHERE ADVISORY SPEEDS ARE 15Km/H (10MPH) LOWER THAN POSTED SPEEDS.
 ** USE DOUBLE MARKERS WHEN ADT \geq 25,000

MULTI-LANE / UNDIVIDED

TYPICAL PAVEMENT MARKING FOR TWO LANE SECTION - NO PASSING ZONES



SYMBOLS

FILE NAME E:\4497\11\Details89.dgn	USER NAME MAY	DESIGNED - JMS	REVISED -	STATE OF ILLINOIS DEPARTMENT OF TRANSPORTATION	DISTRICT 2 STANDARDS		F.A.P. RTE. 638	SECTION 129BR	COUNTY HENRY	TOTAL SHEETS 42	SHEET NO. 42			
PLOT SCALE 1" = 100'	CHECKED - ELH	REVISED -	SCALE: NO SCALE				SHEET NO. 8 OF 8 SHEETS	STA. TO STA.	CONTRACT NO. 64A04					
PLOT DATE 07/17/09 2:12:28 PM	DATE - 07/17/09	REVISED -	FED. ROAD DIST. NO. ILLINOIS FED. AID PROJECT											
REVISED - 10-21-08														