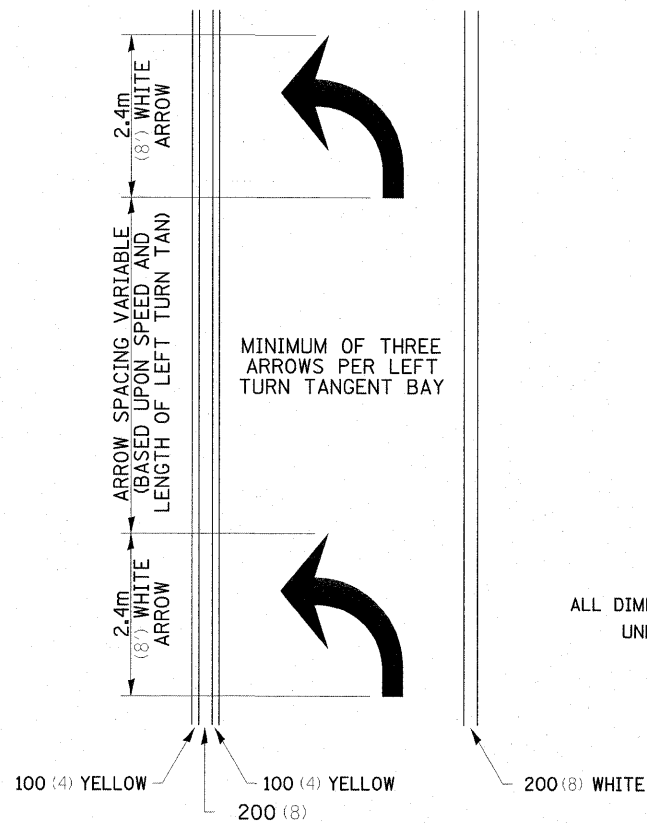


# TYPICAL PAVEMENT MARKINGS

## ARROW LAYOUT

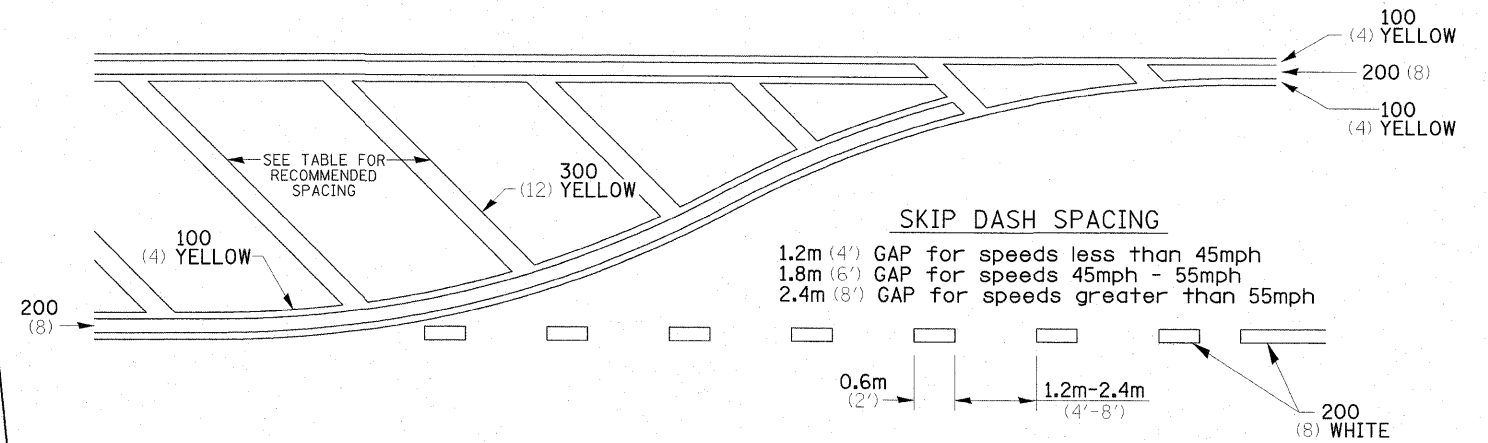


- ▲ ONE-WAY AMBER MARKER
- ◁ ONE-WAY CRYSTAL MARKER
- ◆ TWO-WAY AMBER MARKER

ALL DIMENSIONS ARE IN MILLIMETERS (INCHES) UNLESS OTHERWISE NOTED.

12.2m  
6 at (40') O.C.  
APPROACH SIDE ONLY

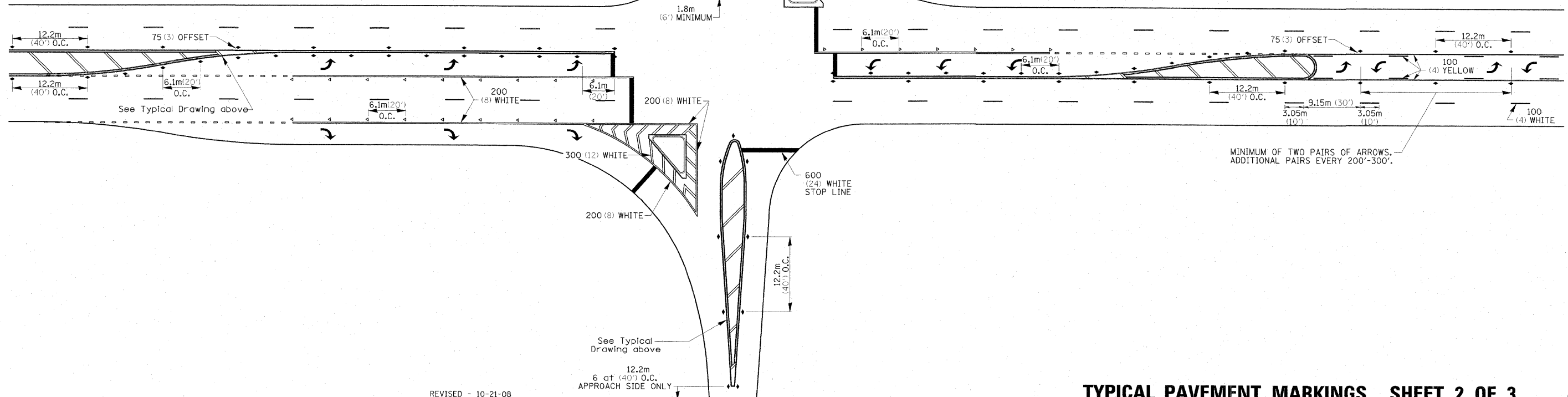
## TYPICAL PAVEMENT MARKING FOR FLUSH MEDIAN



### RECOMMENDED SPACING BETWEEN DIAGONALS (IN FEET)

Speed Limit Range	Continuous Median Area	Intersection Channelization	Objects (Islands)
less than 50km/H (30MPH)	15.3m (50')	4.53m (15')	3.05m (10')
50-60km/H (30-40MPH)	22.9m (75')	6.1m (20')	4.53m (15')
70km/H (45MPH) & over	22.9m (75')	9.05m (30')	6.1m (20')

NOTE: If the spacing recommended in the Table does not permit at least five diagonal lines in the area being marked, the spacing from the next lowest speed range should be used. The recommended spacing is measured parallel to the pavement center line.



REVISED - 10-21-08

## TYPICAL PAVEMENT MARKINGS SHEET 2 OF 3 41.1

FILE NAME = D264A04-shd-deta:ls07.dgn	USER NAME = HAS	DESIGNED - JMS	REVISED -	<b>STATE OF ILLINOIS DEPARTMENT OF TRANSPORTATION</b>	<b>DISTRICT 2 STANDARDS</b>			F.A.P. RTE. 63B	SECTION 1298R	COUNTY HENRY	TOTAL SHEETS 42	SHEET NO. 41
PLOT SCALE = 0.0033' / IN.	CHECKED - ELH	DRAWN - JPC	REVISED -		SCALE: NO SCALE	SHEET NO. 7 OF 8 SHEETS	STA.	TO STA.	CONTRACT NO. 64A04			
PLOT DATE = 7/29/2009 7:17:22 AM	DATE - 07/17/09	DATE -	REVISED -		FED. ROAD DIST. NO. ILLINOIS FED. AID PROJECT							