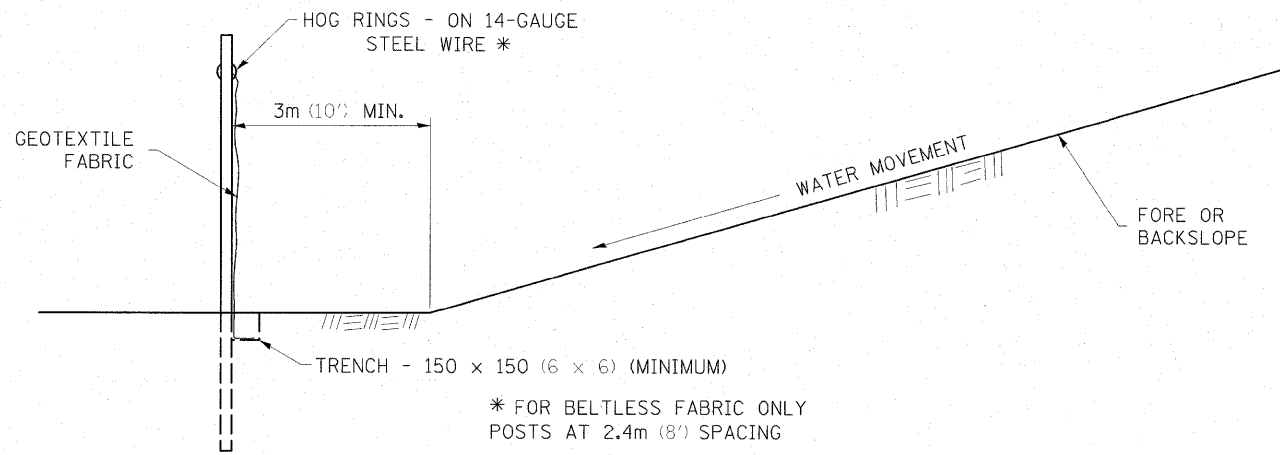
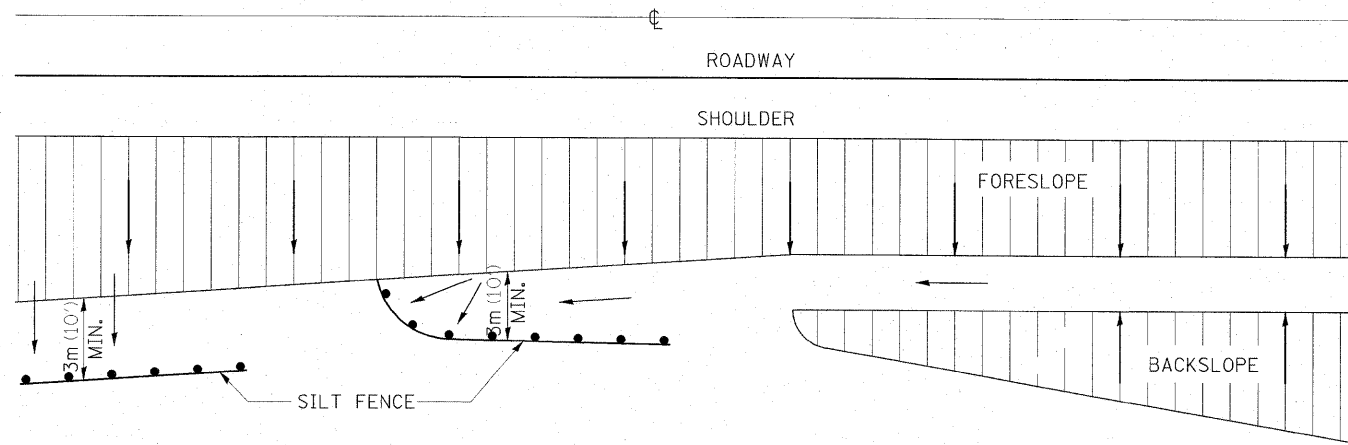


EROSION CONTROL DETAILS FOR SILT FENCE

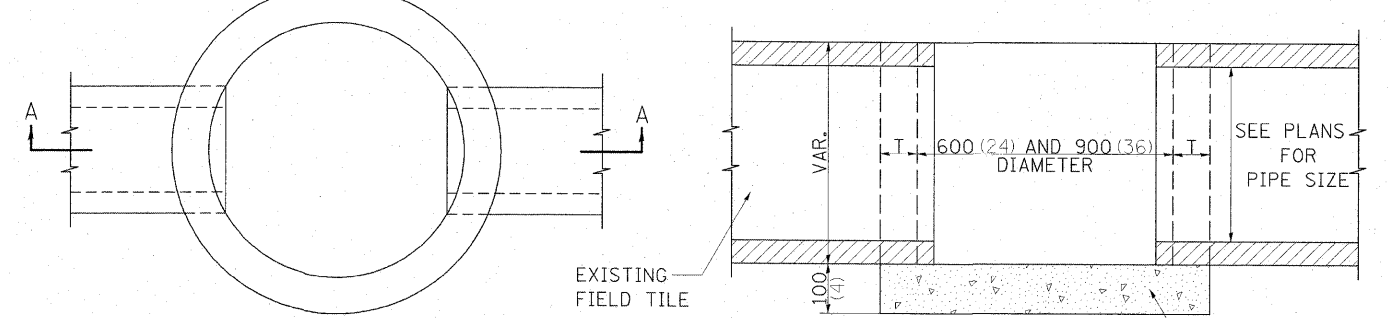
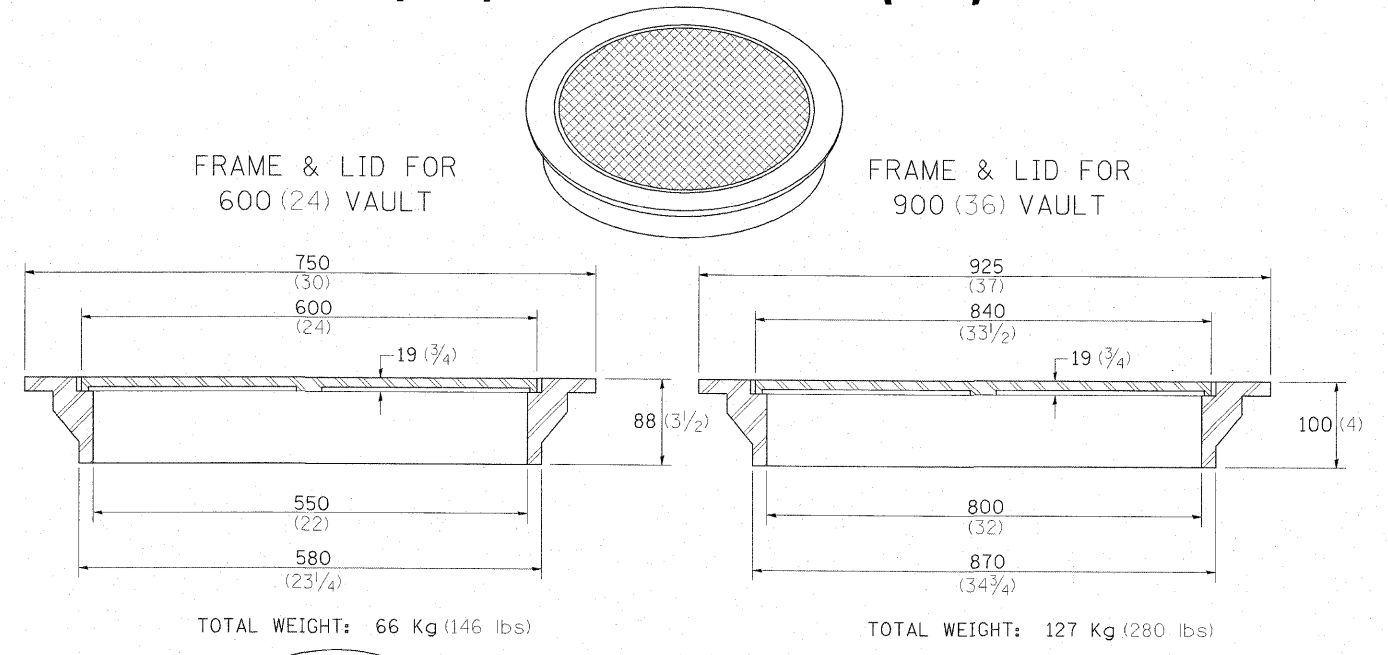


DETAILS OF SILT FENCE

ALL DIMENSIONS ARE IN MILLIMETERS (INCHES) UNLESS OTHERWISE NOTED.

EROSION CONTROL DETAILS FOR SILT FENCE 29.2

FIELD TILE JUNCTION VAULTS 600 (24) AND 900 (36) DIA.



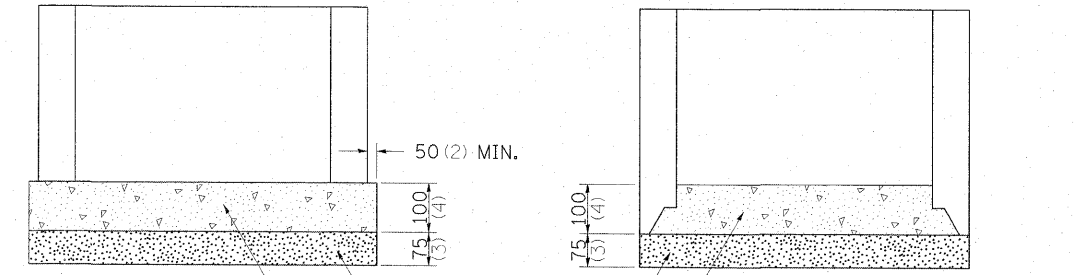
ALTERNATE MATERIALS FOR WALLS

MATERIAL	T
BRICK MASONRY	200 (8)
CAST-IN-PLACE CONCRETE	150 (6)
CONCRETE MASONRY UNIT	125 (5)
PRECAST REINFORCED CONCRETE SECTION	75 (3)

SECTION A-A

NOTE: THE FRAME AND LID IS REQUIRED ON ALL JUNCTION VAULTS.

ALL DIMENSIONS ARE IN MILLIMETERS (INCHES) UNLESS OTHERWISE NOTED.



ALTERNATE METHODS

FIELD TILE JUNCTION VAULTS 600 (24) AND 900 (36) DIA. 30.2

REVISED - 10-22-01	USER NAME = HHS	DESIGNED - JMS	REVISED -
FILE NAME = 0264A04-shd-deta1s03.dgn		DRAWN - JPC	REVISED -
		CHECKED - ELH	REVISED -
		DATE - 08/03/09	REVISED -

STATE OF ILLINOIS
DEPARTMENT OF TRANSPORTATION

DISTRICT 2 STANDARDS
SCALE: NO SCALE SHEET NO. 3 OF 8 SHEETS STA. TO STA.

F.A.P. RTE. 638	SECTION 129BR	COUNTY HENRY	TOTAL SHEETS 42	SHEET NO. 37
CONTRACT NO. 64A04				
FED. ROAD DIST. NO. ILLINOIS FED. AID PROJECT				