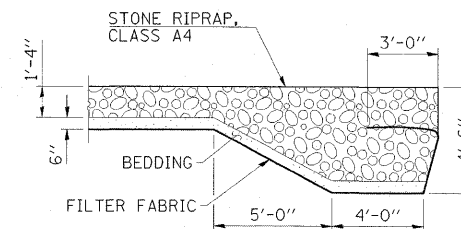
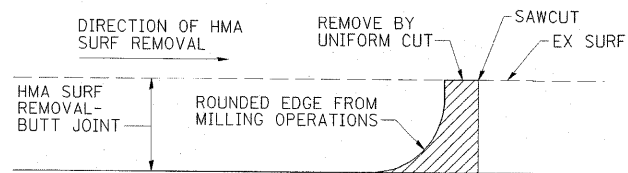


TYPICAL BUTT JOINT SECTION

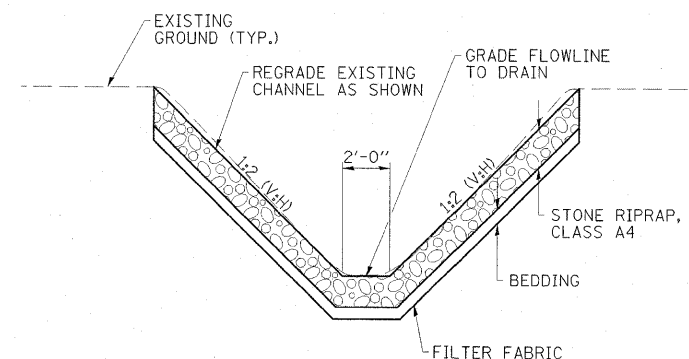


SECTION D-D

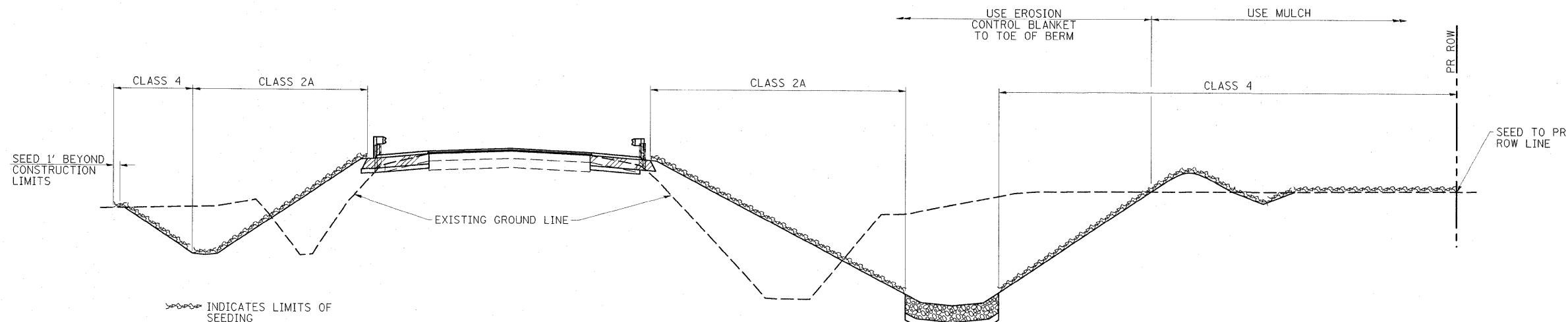


DETAIL AT BUTT JOINT

NOTE:
 WHEN MILLING OPERATIONS PRODUCE A ROUNDED EDGE, THEN A SAWCUT SHALL BE USED TO MANUFACTURE A PERPENDICULAR EDGE AS SHOWN IN THE DETAIL. THE COST OF ALL WORK SHOWN IN THE DETAIL IS INCLUDED IN HOT-MIX ASPHALT SURFACE REMOVAL - BUTT JOINT. THE ENGINEER SHALL BE THE SOLE JUDGE CONCERNING THE USE OF THIS DETAIL.



SECTION E-E



SEEDING

FILE NAME =	USER NAME = HAS
0264204-shc-dt-11-13-01.dgn	
PLOT SCALE = 0.0833' / IN.	
PLOT DATE = 9/9/2009 9:54:12 AM	

DESIGNED - JMS/ELH	REVISIONS
DRAWN - HAS/JPC	REVISIONS
CHECKED - ELH	REVISIONS
DATE - 09/08/09	REVISIONS

STATE OF ILLINOIS
DEPARTMENT OF TRANSPORTATION

MISCELLANEOUS DETAILS	
SCALE: VARIOUS	SHEET NO. 1 OF 1 SHEETS
STA.	TO STA.

F.A.P. RTE. 638	SECTION 129BR	COUNTY HENRY	TOTAL SHEETS 42	SHEET NO. 17
CONTRACT NO. 64A04				
FED. ROAD DIST. NO. ILLINOIS FED. AID PROJECT				