

WEST APPROACH

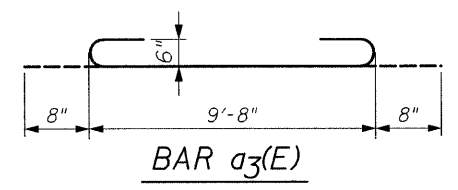
EAST APPROACH

PLAN

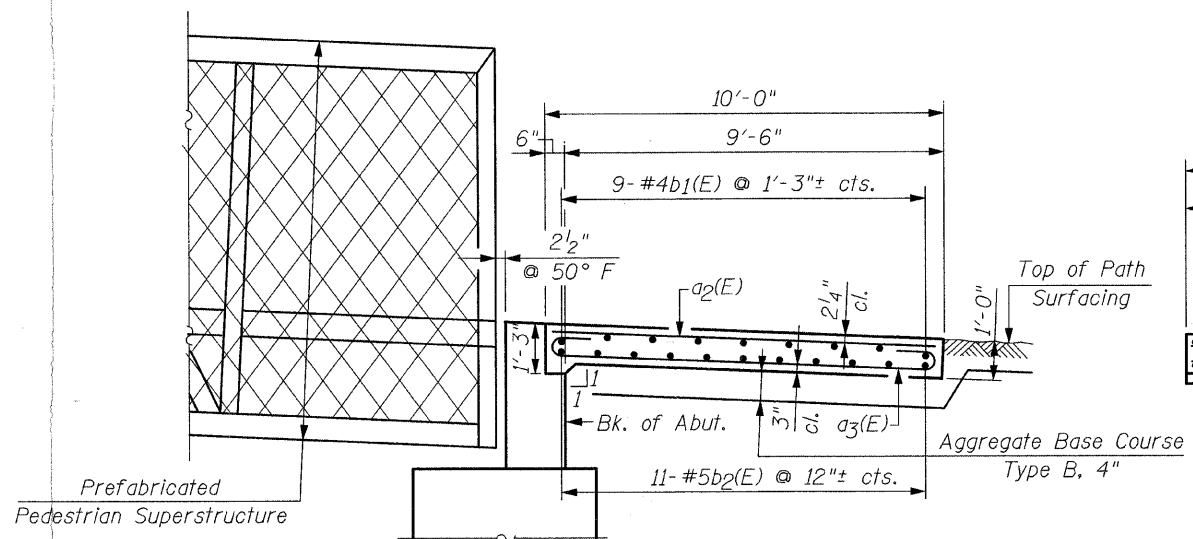
BILL OF MATERIAL
(BOTH APPROACH PAVEMENTS)

Bar	No.	Size	Length	Shape
a ₂ (E)	26	#4	9'-8"	—
a ₃ (E)	34	#6	11'-0"	⌋
b ₁ (E)	18	#4	12'-2"	—
b ₂ (E)	22	#5	12'-2"	—

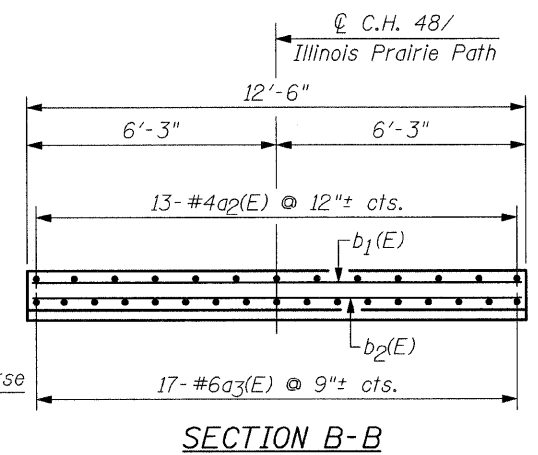
- * Reinforcement Bars, Epoxy Coated Pound 1,160
 - Bridge Approach Pavement Sq. Yd. 27.8
 - Bridge Deck Rough-Broom Finish Sq. Ft. 250
- * Cost of Reinforcement is included with Bridge Approach Pavement.
- Shall meet the approval of the Engineer. Cost included in the contract unit price for Bridge Approach Pavement.



BAR a₃(E)



SECTION A-A



SECTION B-B