

SECTION THRU ABUTMENT

* Included in the cost of Pipe Underdrain for Structures

NOTES:

All drainage system components shall extend to 2'-0" from the end of each Wingwall except an Outlet Pipe shall extend until intersecting with the side slopes. The Pipes shall drain into concrete Headwalls. (See Article 601.05 of the Standard Specifications and Highway Std. 601101).

Hatched area to be poured after Deck Slab pouring has been completed. Quantity of concrete is included with Concrete Superstructure.

** The Contractor shall install the Anchor Bolts in accordance with the Bridge Manufacturer's Anchor Bolt spacing dimensions

NOTES:

Piles shall be driven through 12 in. Dia. Precored Holes extending to Elevation 760.00 According to Article 512.09(C) of the Standard Specifications. Cost included in Driving Piles.

Concrete Sealer shall be applied to the backwall, seat & front face of the Pile Cap.

For details of Piles, see Sht. S5.

PILE DATA

(Typ. at each Abutment)

Type: Steel HP 10x42 with Pile Shoes

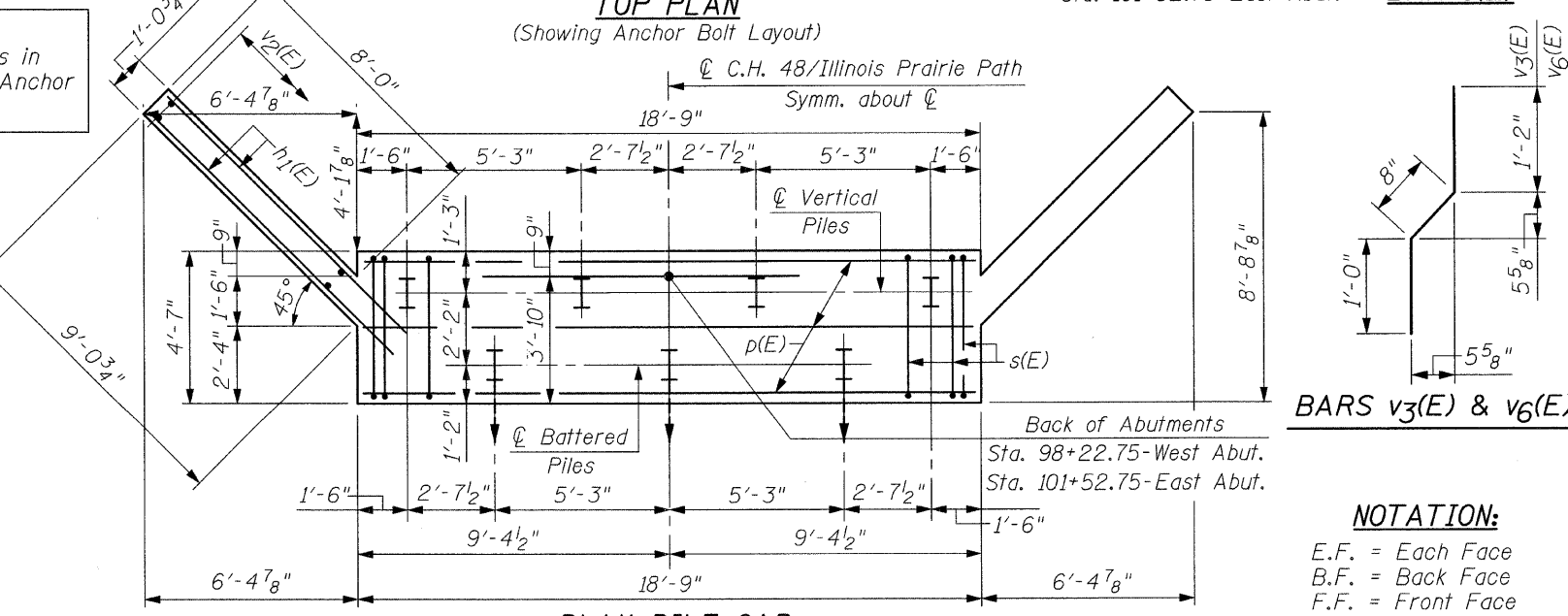
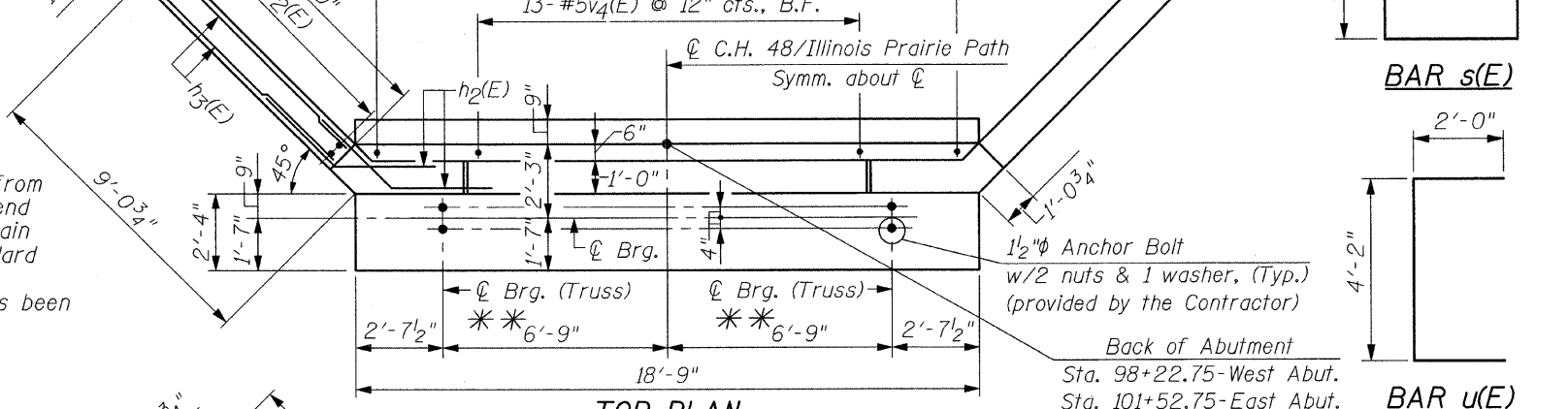
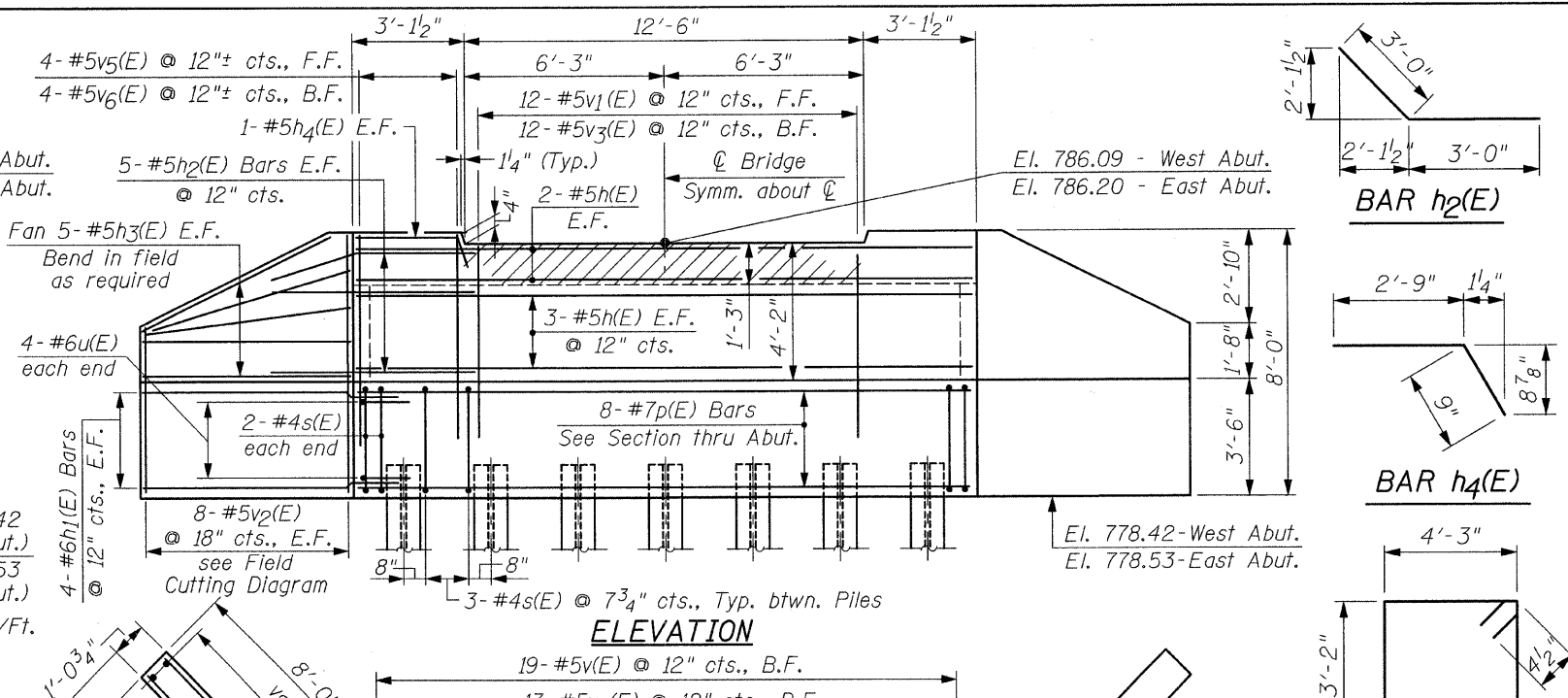
Nominal required bearing: 335 kips

Allowable resistance available: 111.6 kips

Est. Length: 66'-0"

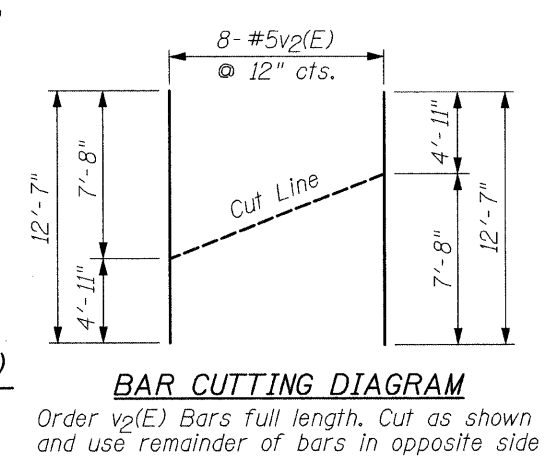
No. Production Piles: 6

No. Test Piles: 1



BILL OF MATERIAL (FOR ONE ABUTMENT ONLY)

Bar	No.	Size	Length	Shape
h(E)	10	#5	18'-5"	—
h1(E)	16	#6	11'-0"	—
h2(E)	20	#5	6'-0"	—
h3(E)	20	#5	7'-8"	—
h4(E)	4	#5	3'-6"	—
p(E)	8	#7	18'-5"	—
s(E)	22	#4	15'-7"	□
u(E)	8	#6	8'-2"	□
v(E)	19	#5	4'-5"	—
v1(E)	12	#5	5'-8"	—
v2(E)	16	#5	12'-7"	—
v3(E)	12	#5	2'-10"	—
v4(E)	13	#5	2'-3"	—
v5(E)	8	#5	6'-0"	—
v6(E)	8	#5	3'-2"	—
Reinforcement Bars, Epoxy Coated		Pound	1,900	
Concrete Structures		Cu. Yd.	19.0	
Furnishing Steel Piles HP 10x42		Foot	396	
Driving Piles		Foot	396	
Test Pile HP 10x42		Each	1	
Structure Excavation		Cu. Yd.	55	
Concrete Sealer		Sq. Ft.	188	
Porous Granular Embankment, Special		Cu. Yd.	24	
Pipe Underdrain For Structures, 4"		Foot	23	
Geocomposite Wall Drain		Sq. Yd.	15	



NOTATION:

E.F. = Each Face
B.F. = Back Face
F.F. = Front Face