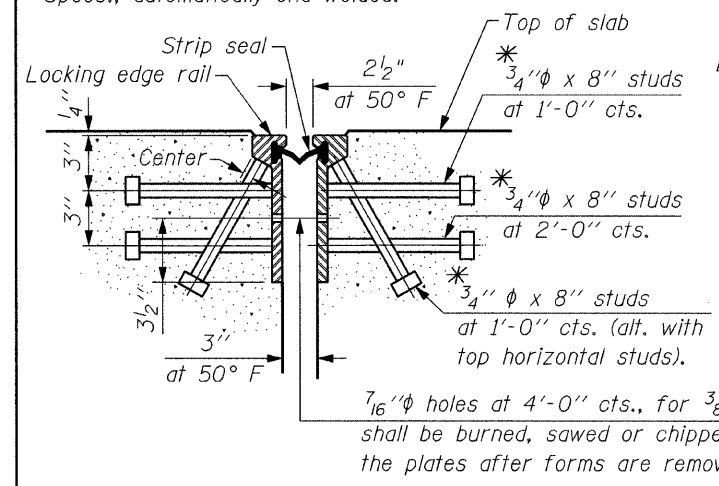
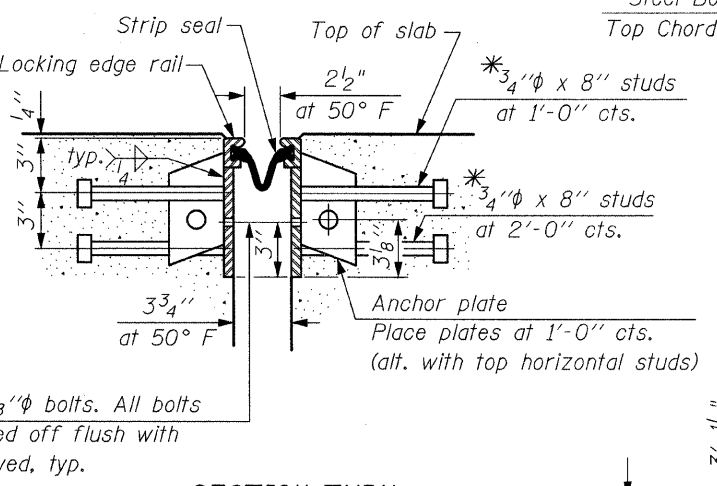


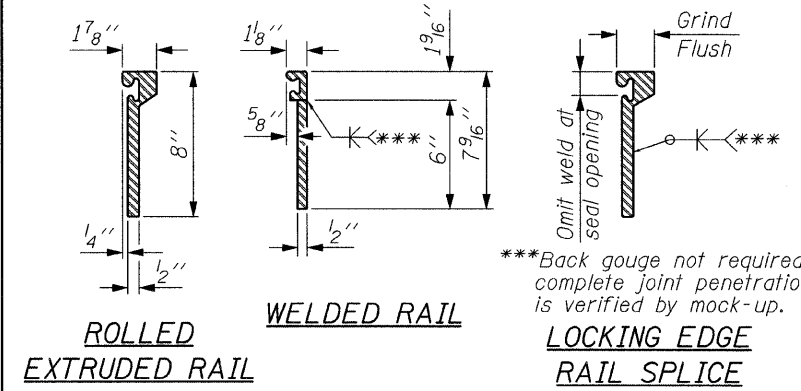
* Granular or solid flux filled headed studs conforming to Article 1006.32 of the Std. Specs., automatically end welded.



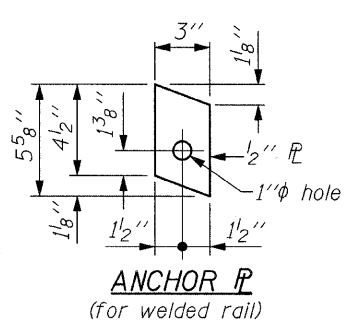
SECTION THRU ROLLED RAIL JOINT



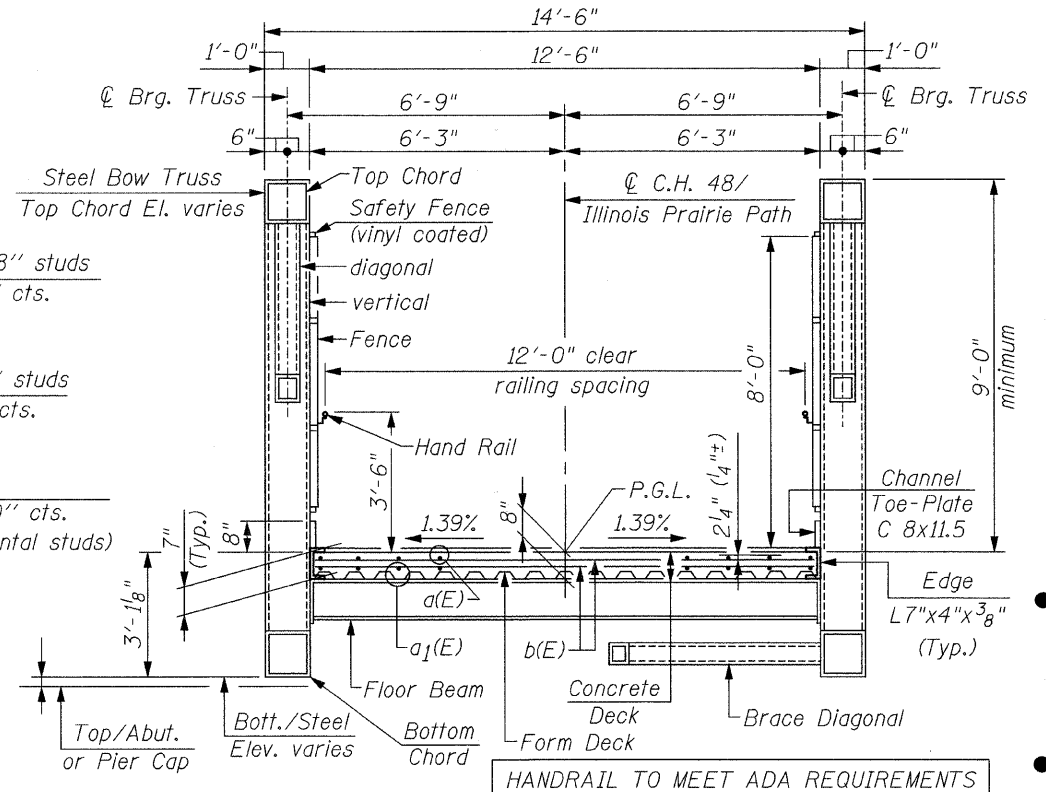
SECTION THRU WELDED RAIL JOINT



LOCKING EDGE RAILS



ANCHOR PLATE (for welded rail)



TYPICAL CROSS SECTION

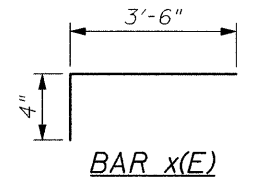
Notes:
 (Half-Through Truss Bridge With Tubular Members)
 The strip seal shall be made continuous and shall have a minimum thickness of 1/4". The configuration of the strip seal shall match the configuration of the Locking Edge Rails. Open or "webbed" strip seal gland configurations are not permitted. The gland shall be sized for a maximum rated movement of 4 inches. The height and thickness of the Locking Edge Rails shown are minimum dimensions. The actual configuration of the Locking Edge Rails and matching strip seal may vary from manufacturer to manufacturer. Flanged edge rails will not be allowed. Locking Edge Rails may be spliced at slope discontinuities and stage construction joints. The manufacturer's recommended installation methods shall be followed. The joint opening and deck dimensions detailed on the superstructure are based on a rolled rail expansion joint. If the Contractor elects to use the welded rail expansion joint, the opening and deck dimensions shall be modified according to the dimensions detailed on this sheet. Required modifications shall be made at no additional cost to the State. All steel components shall be galvanized after fabrication according to Article 520.03 of the Standard Specifications.

SUPERSTRUCTURE BILL OF MATERIAL

Bar	No.	Size	Length	Shape
a(E)	169	#5	27'-1"	—
a1(E)	156	#5	29'-2"	—
b(E)	656	#5	12'-2"	—
x(E)	26	#5	3'-10"	┌
Reinforcement Bars, Epoxy Coated		Pound	17,950	
Concrete Superstructure		Cu. Yd.	98.5**	
Preformed Joint Strip Seal		Foot	25	
Bridge Deck Rough-Broom Finish		Sq. Ft.	4,082	

** See Sht. S3

● Shall meet the approval of the Engineer. Cost included in the contract unit price for Concrete Superstructure. The Contractor shall provide the Engineer with a 3'x3' sample of the Bridge Deck Rough-Broom Finish for approval. The bridge deck shall not be placed without the Engineer's approval.



BAR x(E)