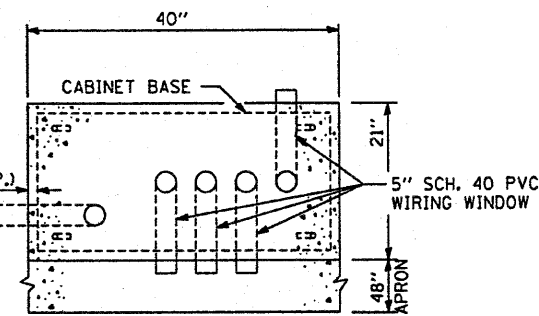
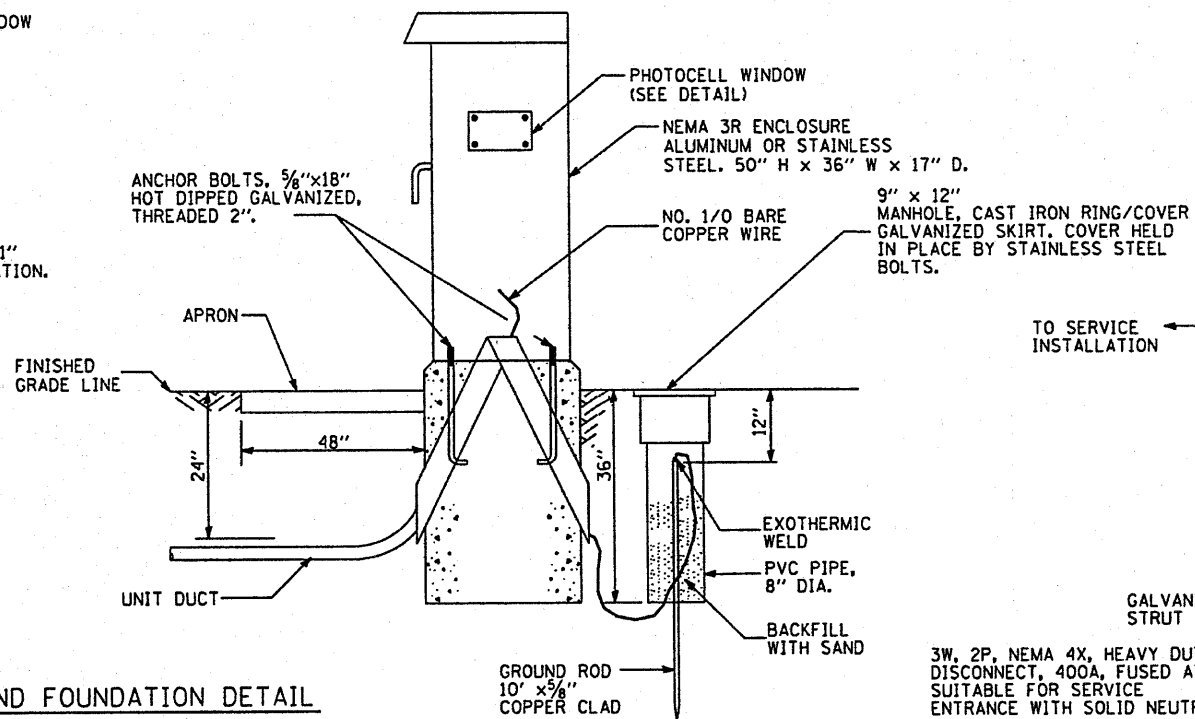
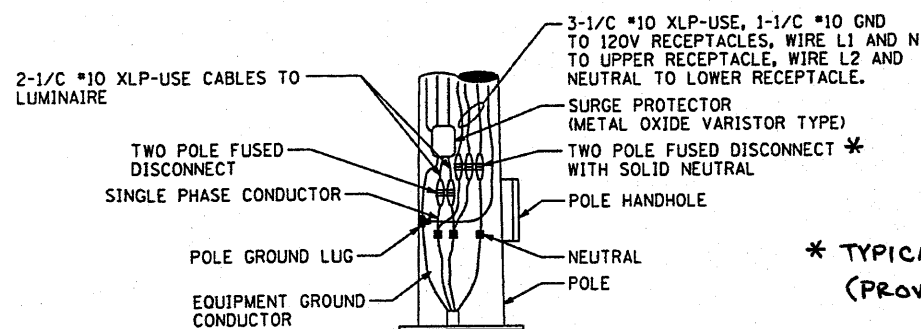


CONTROL CABINET AND FOUNDATION DETAIL  
NOT TO SCALE

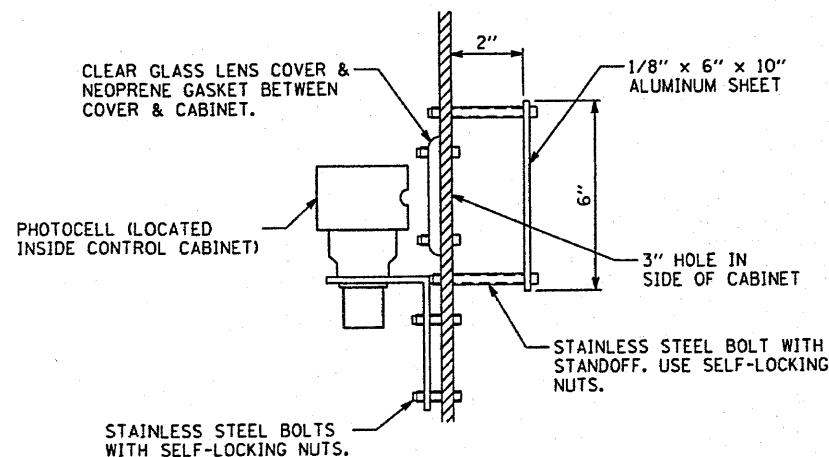


CONTROL CABINET FOUNDATION  
TOP VIEW

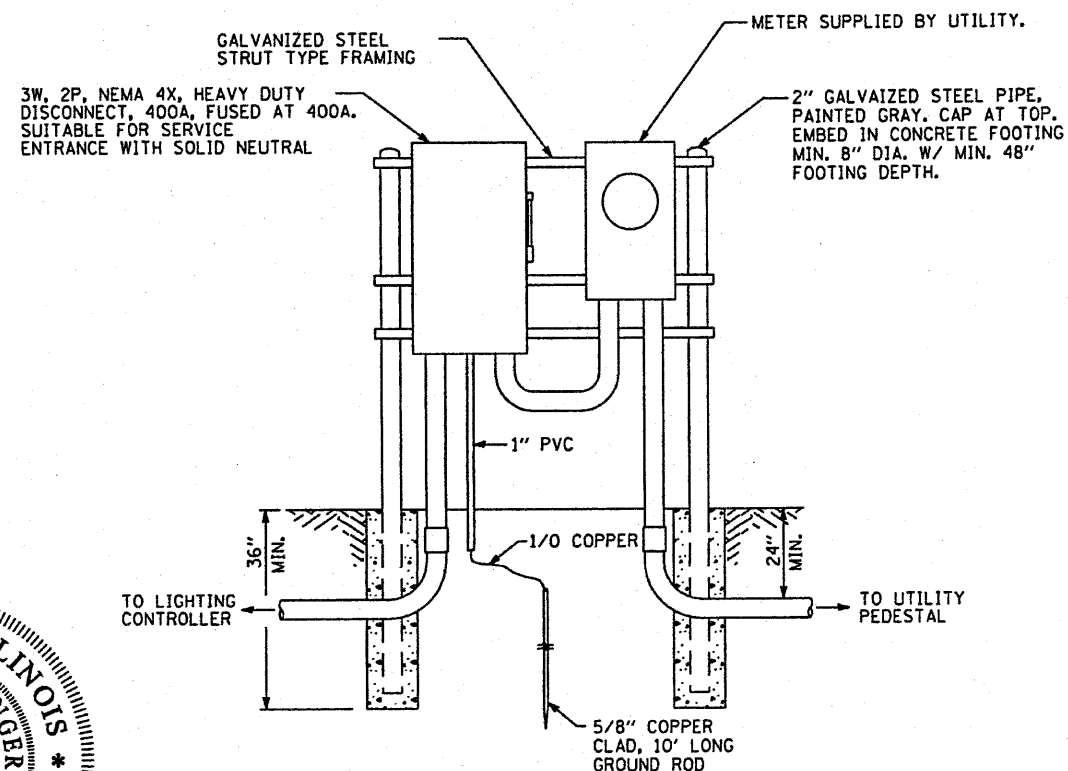


POLE BASE WIRING  
NOT TO SCALE

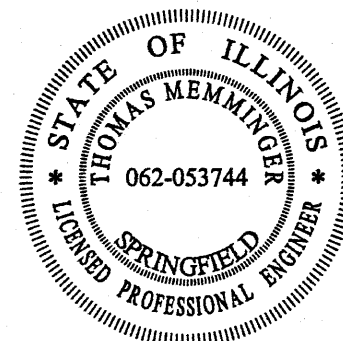
\* TYPICAL OF TWO.  
(PROVIDE DISCONNECT FOR EACH RECEPTACLE)



PHOTOCELL DETAIL  
NOT TO SCALE



ELECTRIC UTILITY SERVICE  
NOT TO SCALE



EXPIRES: 11/30/2011

*Thomas Memminger*  
THOMAS MEMMINGER  
ELECTRICAL ENGINEER

10/20/2010  
DATE

Revised 10-29-10

NOTE: ALL DIMENSIONS ON THIS DRAWING ARE IN INCHES UNLESS OTHERWISE INDICATED.

FILE NAME =	USER NAME = Jim Raubach	DESIGNED - TM	REVISED -
...038A_Misc Elect Detail Adjg		DRAWN - RAH	REVISED -
		CHECKED - TM	REVISED -
		DATE -	REVISED -

STATE OF ILLINOIS  
DEPARTMENT OF TRANSPORTATION

MISCELLANEOUS ELECTRICAL DETAILS A

SCALE: N.T.S. SHEET NO. 30 49 SHEETS STA. TO STA.

F.A. RTE.	SECTION	COUNTY	TOTAL SHEETS	SHEET NO.
N/A	05-00017-00-FP	SCHUYLER	49	30
FED. ROAD DIST. NO.			ILLINOIS FED. AID PROJECT	