

INDEX OF SHEETS

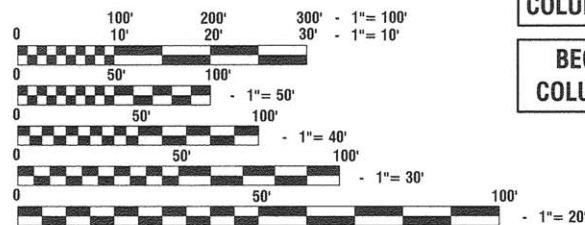
- 1. COVER SHEET
- 2. GENERAL NOTES
- 3.-5. SUMMARY OF QUANTITIES
- 6. TYPICAL CROSS SECTIONS
- 7.-10. EXISTING AND PROPOSED PLAN VIEWS
- 11.-14. DRAINAGE AND UTILITIES PLANS
- 15.-16. LANDSCAPING PLANS
- 17.-18. PAVEMENT MARKING PLANS
- 19.-22. STREET LIGHTING PLANS
- 23.-26. STREET LIGHTING DETAILS
- 27.-28. CONSTRUCTION AND DISTRICT 3 DETAILS

HIGHWAY STANDARDS

- 000001-06 STANDARD SYMBOLS, ABBREVIATIONS AND PATTERNS
- 280001-07 TEMPORARY EROSION CONTROL SYSTEMS
- 424001-08 PERPENDICULAR CURB RAMPS
- 424011-02 CORNER PARALLEL CURB RAMPS
- 424016-02 MID BLOCK CURB RAMPS
- 442201-03 CLASS C AND D PATCHES
- 602001-02 CATCH BASIN, TYPE A
- 602011-02 CATCH BASIN, TYPE C
- 602301-04 INLET, TYPE A
- 602401-03 MANHOLE, TYPE A
- 602701-02 MANHOLE STEPS
- 604001-04 FRAME AND LIDS TYPE 1
- 604086-03 FRAME AND GRATE TYPE 23
- 606001-06 CONCRETE CURB TYPE B AND COMBINATION CONCRETE CURB AND GUTTER
- 701427-04 LANE CLOSURE, MULTILANE, INTERMITTENT OR MOVING OPER., FOR SPEEDS ≤ 40 MPH
- 701701-10 URBAN LANE CLOSURE, MULTILANE INTERSECTION
- 701801-06 SIDEWALK, CORNER OR CROSSWALK CLOSURE
- 701901-05 TRAFFIC CONTROL DEVICES
- 720006-04 SIGN PANEL ERECTION DETAILS
- 728001-01 TELESCOPING STEEL SIGN SUPPORT
- 731001-01 BASE FOR TELESCOPING STEEL SIGN SUPPORT
- 780001-05 TYPICAL PAVEMENT MARKINGS
- 821101-01 LUMINARIE WIRING DIAGRAM
- 825021-03 LIGHTING CONTROLLER BASE MOUNTED, 240V
- 836001-02 LIGHT POLE FOUNDATION

DESIGN DESIGNATION - COLUMBUS ST ADT = 12300 (2015)
 EXISTING SPEED LIMIT: 30 MPH
 PROPOSED SPEED LIMIT: 30 MPH
 FUNCTIONAL CLASSIFICATION - COLLECTOR

SCALES
 PLAN - 1"=20'
 PROFILE HORIZ. - 1"=20'
 PROFILE VERT. - 1"=5'
 CROSS SECTIONS - 1"=10'



FULL SIZE PLANS HAVE BEEN PREPARED USING STANDARD ENGINEERING SCALES, REDUCED SIZED PLANS WILL NOT CONFORM TO STANDARD SCALES, IN MAKING MEASUREMENTS ON REDUCED PLANS, THE ABOVE SCALES MAY BE USED.

J. U. L. I. E.
 JOINT UTILITY LOCATION INFORMATION FOR EXCAVATION
 1-800-892-0123 or 811

CONTRACT NO. 87635

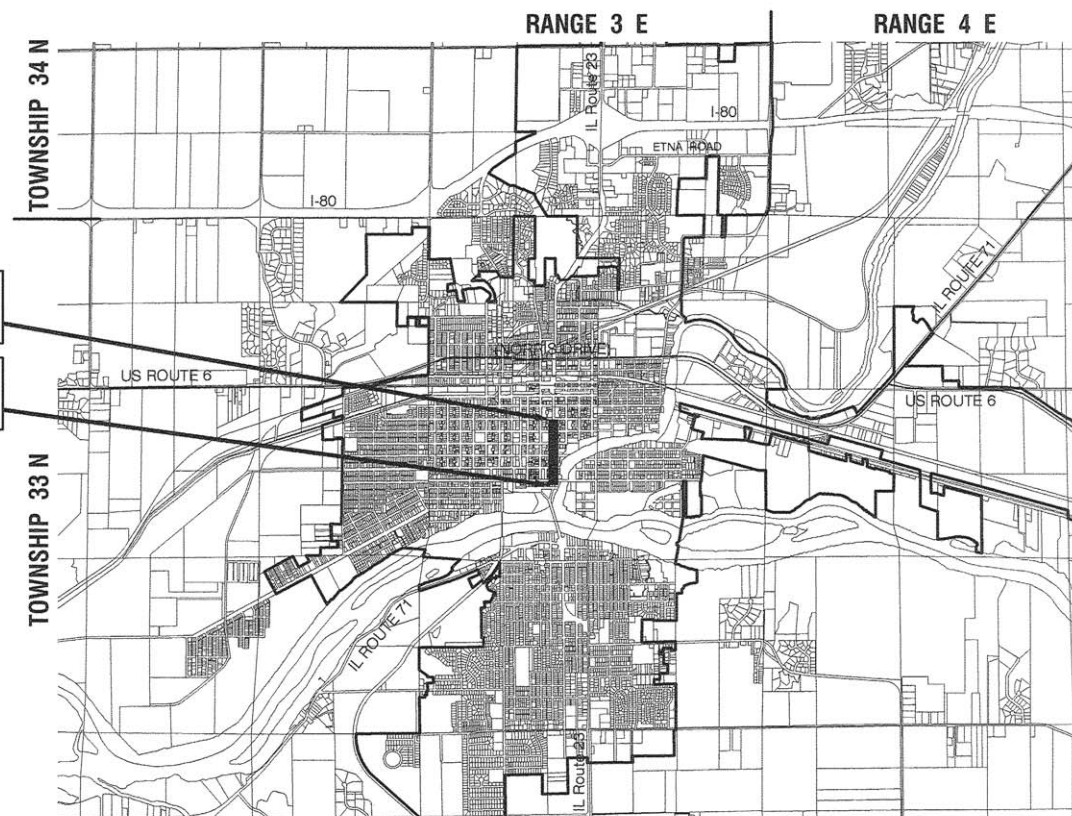
11-4-2016 LETTING ITEM 105

STATE OF ILLINOIS

DEPARTMENT OF TRANSPORTATION
 DIVISION OF HIGHWAYS

PLANS FOR PROPOSED FEDERAL AID HIGHWAY

**IL 23/COLUMBUS STREET (FAP 68) FROM LINCOLN
 PLACE TO LAFAYETTE STREET (FAU 6025)**
ILLINOIS TRANSPORTATION ENHANCEMENT PROGRAM
LIGHTING AND BEAUTIFICATION
PROJECT NO.: TE-00D3(096)
SECTION NO.: 13-00167-00-LS
JOB NO.: C-93-021-16
CITY of OTTAWA
LASALLE COUNTY

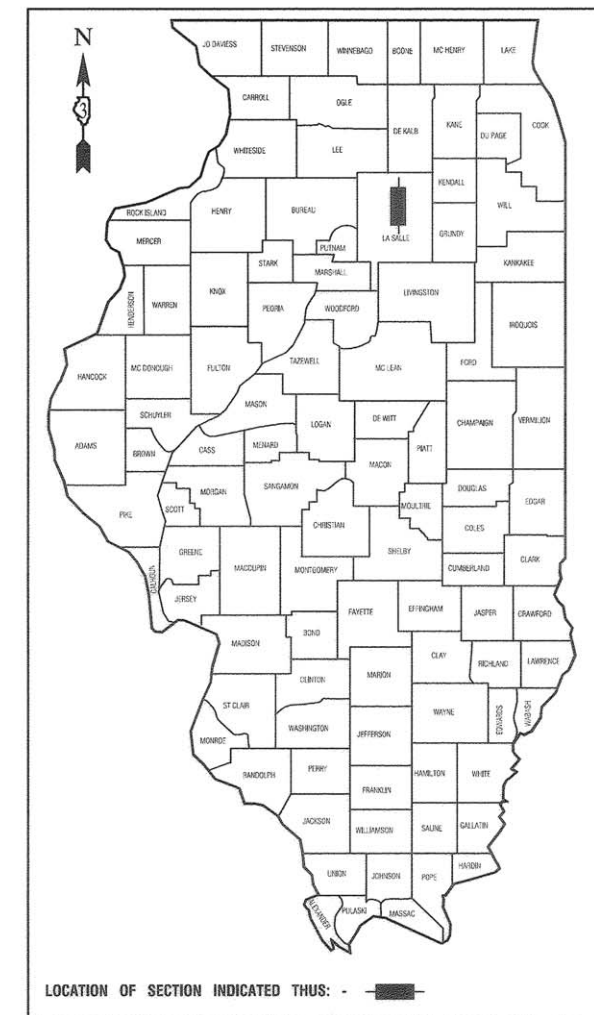


LOCATION MAP

SCALE: N.T.S.

GROSS LENGTH=1,800 FEET=0.341 MILES
 NET LENGTH=1,800 FEET=0.341 MILES

F. A. #	SECTION	COUNTY	TOTAL SHEETS	SHEET NO.
68	13-00167-00-LS	LASALLE	28	01
STA.		TO STA.		
FED. ROAD DIST. NO.		ILLINOIS	FED. AID PROJECT TE-00D3(096)	



STATE OF ILLINOIS DEPARTMENT OF TRANSPORTATION
 DIVISION OF HIGHWAYS

Approved: [Signature] 9/1/16
 City Engineer, City of Ottawa

Passed: [Signature] 9-9-16
 District 3 Engineer of Local Roads & Streets

Released for Bid Based on Limited Review: [Signature] 9-9-16
 Region 2 Engineer

PRINTED BY THE AUTHORITY OF
 THE STATE OF ILLINOIS

PREPARED BY OR UNDER THE DIRECT SUPERVISION OF:
[Signature]
 8/31/16

WILLIAM P. DOUGLAS
 02-57490
 REGISTERED PROFESSIONAL ENGINEER
 STATE OF ILLINOIS
 LICENSE EXPIRES: 11/30/17

CONSULTANTS: ROBINSON ENGINEERING, LTD. 708-331-6700

- 1 ITEMS OF WORK LISTED IN THE SUMMARY OF QUANTITIES WHICH ARE NOT SPECIFICALLY INDICATED IN THE PLANS SHALL BE PERFORMED AT LOCATIONS AS DIRECTED BY THE ENGINEER.
- 2 DRAINAGE STRUCTURE ELEVATIONS: GRADES OF SEWER LINES WERE DETERMINED FROM AVAILABLE PLANS AND SURVEYS. ACCORDINGLY, AS DIRECTED BY THE ENGINEER, THE INVERTS OF THE PROPOSED DRAINAGE WILL BE REVISED TO MEET EXISTING FIELD CONDITIONS.
- 3 THE TOP OF ALL STRUCTURES SHALL BE FLUSH WITH THE ADJACENT SURFACE OR AT THE INDICATED ELEVATIONS SHOWN ON THE PLANS. ALL RIM ELEVATIONS OF STRUCTURES IN THE PROPOSED CURB LINE ARE GIVEN TO THE EDGE OF PAVEMENT. ALL OTHER RIM ELEVATIONS ARE GIVEN TO THE CENTER OF THE STRUCTURES.
- 4 HALF TRAPS ARE TO BE OMITTED IN CATCH BASINS.
- 5 FRAME ELEVATIONS ARE GIVEN ONLY TO ASSIST IN DETERMINING THE APPROXIMATE OVERALL HEIGHT OF THE STRUCTURE. FRAMES ON ALL NEW STRUCTURES WILL BE ADJUSTED TO THE FINAL ELEVATION OF THE AREA IN WHICH THEY ARE LOCATED AS PART OF THE STRUCTURE COST.
- 6 WHEN EXISTING DRAINAGE FACILITIES ARE DISTURBED, THE CONTRACTOR SHALL PROVIDE AND MAINTAIN TEMPORARY OUTLETS AND CONNECTIONS FOR ALL PRIVATE OR PUBLIC DRAINS, SEWERS OR CATCH BASINS. HE SHALL PROVIDE FACILITIES TO TAKE IN ALL STORM WATER WHICH WILL BE RECEIVED BY THESE DRAINS & SEWERS AND DISCHARGE SAME. HE SHALL PROVIDE AND MAINTAIN AN EFFICIENT PUMPING PLANT, IF NECESSARY, AND A TEMPORARY OUTLET, AND BE PREPARED AT ALL TIMES TO DISPOSE OF THE WATER RECEIVED FROM THESE TEMPORARY SEWER CONNECTIONS UNTIL SUCH TIME AS THE PERMANENT CONNECTIONS WITH SEWERS ARE BUILT AND IN SERVICE. THE COST OF THIS WORK SHALL BE INCLUDED IN THE UNIT PRICES BID AND NO ADDITIONAL COMPENSATION WILL BE ALLOWED.
- 7 THE CAST IRON FRAMES AND COVERS OF FILLED, ABANDONED OR REMOVED MANHOLES, INLETS AND CATCH BASINS OR THOSE FRAMES AND COVERS UPON STRUCTURES RECEIVING NEW FRAMES AND COVERS SHALL BE STOCKPILED WITHIN THE RIGHT-OF-WAY, AS DIRECTED BY THE ENGINEER, AND PICKED UP BY THE COMMUNITY.
- 8 THE APPROXIMATE LOCATION OF KNOWN PUBLIC UTILITIES ARE SHOWN ON THE PLANS. HOWEVER, THE DEPARTMENT DOES NOT GUARANTEE THEIR ACCURACY. PRIOR TO COMMENCING OPERATIONS ON THE PROJECT WHICH MAY IN ANY WAY CREATE THE POSSIBILITY OF INVOLVEMENT WITH EXISTING UTILITIES, THE CONTRACTOR SHALL CONTACT THE UTILITY OWNER (OR COMMUNITY) INVOLVED. ADJUSTMENT OF ALL PUBLIC UTILITIES WITHIN THE LIMITS OF THIS IMPROVEMENT WILL BE DONE BY THE RESPECTIVE OWNERS. IT SHALL BE THE CONTRACTOR'S RESPONSIBILITY TO VERIFY LOCATIONS OF UNDERGROUND INSTALLATION BEFORE STARTING CONSTRUCTION OPERATIONS IN ACCORDANCE WITH ARTICLE 105.07. THE CONTRACTOR SHALL COORDINATE CONSTRUCTION ACTIVITIES WITH ALL UTILITY COMPANIES.
- 9 ALL TRENCHES WITHIN 2 FEET OF PROPOSED PAVEMENT, DRIVEWAYS, AND SIDEWALKS SHALL BE BACKFILLED WITH TRENCH BACKFILL ONLY.
- 10 COMBINATION CONCRETE CURB AND GUTTER, TYPE B-6.18 SHALL BE INSTALLED WITH A THICKNESS EQUAL TO NINE (9") AT THE GUTTER FLAG.
- 11 THE CONTRACTOR SHALL PROTECT ALL TREES WITHIN AND ADJACENT TO THE CONSTRUCTION SITE DURING THE CLEARING AND SUBSEQUENT CONSTRUCTION OPERATIONS IN ACCORDANCE WITH SECTION 201 OF THE STANDARD SPECIFICATIONS. THOSE TREES TO BE REMOVED AS SHOWN IN THE PLANS SHALL BE DONE IN ACCORDANCE WITH SECTION 201 AND 202 OF THE STANDARD SPECIFICATIONS.
- 12 BEFORE STARTING ANY EXCAVATION, THE CONTRACTOR SHALL CALL "JULIE" AT 800-892-0123 FOR FIELD LOCATIONS OF BURIED ELECTRIC, TELEPHONE AND GAS FACILITIES. (48 HOURS NOTIFICATION IS REQUIRED).
- 13 THE CONTRACTOR WILL NOT BE ALLOWED TO SET UP A YARD OR FIELD OFFICE ON CITY PROPERTY OR PUBLIC RIGHT OF WAY WITHOUT WRITTEN PERMISSION FROM THE CITY.
- 14 ALL STORM SEWERS FOR THIS PROJECT SHALL BE FURNISHED AND INSTALLED WITH RUBBER GASKETS IN ACCORDANCE WITH THE APPLICABLE PORTIONS OF SECTION 550 OF THE STANDARD SPECIFICATIONS. THIS WORK WILL NOT BE PAID FOR SEPARATELY BUT SHALL BE INCLUDED IN THE UNIT PRICE BID FOR STORM SEWERS AS SPECIFIED.

- 15 THE CONTRACTOR SHALL CONTACT THE DISTRICT THREE TRAFFIC CONTROL SUPERVISOR AT (847) 705-4150 A MINIMUM OF 72 HOURS IN ADVANCE OF BEGINNING WORK. THE CONTRACTOR SHALL ALSO CONTACT ROBINSON ENGINEERING (708) 331-6700 AND THE CITY OF OTTAWA (815) 433-0161, A MINIMUM OF 72 HOURS IN ADVANCE OF BEGINNING WORK.
- 16 ALL PAVEMENT, CURB AND SIDEWALK REMOVALS SHALL BE MADE BY MEANS OF STRAIGHT SAW CUT JOINT. THE COST FOR SAW CUTTING SHALL BE INCLUDED IN THE COST OF THE ITEM FOR WHICH THE WORK APPLIES.
- 17 CONTRACTOR SHALL BE RESPONSIBLE AT ALL TIMES FOR TRAFFIC CONTROL AND PROTECTION IN ACCORDANCE WITH THE IDOT STANDARD SPECIFICATIONS ADOPTED APRIL 1, 2016, THE LATEST EDITION OF THE ILLINOIS MANUAL ON UNIFORM TRAFFIC CONTROL DEVICES FOR STREETS AND HIGHWAYS, AND THE STANDARD SPECIFICATIONS FOR TRAFFIC CONTROL ITEMS.
- 18 10' TRANSITIONS SHALL BE USED TO MATCH PROPOSED CURB AND GUTTER TO EXISTING CURB AND GUTTER OR TO TAPER FROM 6" TO 0", UNLESS OTHERWISE SHOWN. THE TRANSITIONS SHALL BE PAID FOR AT THE CONTRACT UNIT PRICE FOR THE PROPOSED ITEM OF WORK SPECIFIED.
- 19 ALL STORM SEWERS, UNLESS OTHERWISE NOTED, SHALL CONFORM TO THE STATE SPECIFICATIONS FOR REINFORCED CONCRETE CULVERT, STORM DRAIN AND SEWER PIPE A.A.S.H.T.O. DESIGNATION M170 (A.S.T.M. DESIGNATION C76), WITH A MINIMUM OF CLASS III.
- 20 THE CONTRACTOR SHALL MAINTAIN ACCESS TO ALL DRIVEWAYS THROUGHOUT THE RECONSTRUCTION LIMITS AT ALL TIMES. IF DRIVEWAY ACCESS MUST BE RESTRICTED, THE CONTRACTOR SHALL NOTIFY THE RESIDENT AND ENGINEER IN WRITING 24 HOURS IN ADVANCE.
- 21 ONLY THOSE TREES DESIGNATED BY THE ENGINEER OR LISTED IN THE TREE REMOVAL SCHEDULE SHALL BE REMOVED. THE CONTRACTOR SHALL PROTECT ALL REMAINING TREES FROM DAMAGE DUE TO HIS OPERATIONS.
- 22 DETECTABLE WARNING SURFACES SHALL EXTEND 2.0 FT MINIMUM IN THE DIRECTION OF PEDESTRIAN TRAVEL. AT CURB RAMPS AND BLENDED TRANSITIONS, DETECTABLE WARNING SURFACES SHALL EXTEND THE FULL WIDTH OF THE RAMP RUN (EXCLUDING ANY FLARES) OR BLENDED TRANSITIONS. SOME DETECTABLE WARNING PRODUCTS REQUIRE A CONCRETE BORDER FOR PROPER INSTALLATION. THE CONCRETE BORDERS SHALL NOT EXCEED 2 INCHES.
- 23 ABANDONED UNDERGROUND UTILITIES THAT CONFLICT WITH CONSTRUCTION SHALL BE DISPOSED OF OUTSIDE THE LIMITS OF THE RIGHT OF WAY ACCORDING TO ARTICLE 202.03 OF THE STANDARD SPECIFICATIONS AND AS DIRECTED BY THE ENGINEER. THIS WORK WILL NOT BE PAID FOR SEPARATELY, BUT WILL BE INCLUDED IN THE COST OF EARTH EXCAVATION.
- 24 THE CONTRACTOR'S ATTENTION IS DIRECTED TO THE PRESENCE OF DEPARTMENT-OWNED UNDERGROUND ELECTRICAL CABLE WITHIN THE LIMITS OF THE PROPOSED IMPROVEMENT. THE CONTRACTOR SHALL REQUEST THE ILLINOIS DEPARTMENT OF TRANSPORTATION IN OTTAWA (815-434-8417) TO LOCATE THE UNDERGROUND FACILITIES, PROVIDING A MINIMUM OF 72 HOURS NOTICE. THE DEPARTMENT IS NOT A MEMBER OF THE JOINT UTILITY LOCATING INFORMATION FOR EXCAVATORS (JULIE) SYSTEM. ALL DAMAGE TO DEPARTMENT OWNED UNDERGROUND FACILITIES, CAUSED BY THE CONTRACTOR SHALL BE REPAIRED TO THE SATISFACTION OF THE DEPARTMENT AT THE CONTRACTOR'S EXPENSE. THIS SHALL INCLUDE ALL TEMPORARY REPAIRS REQUIRED TO KEEP THE FACILITY OPERATIONAL WHILE MATERIAL IS BEING OBTAINED TO MAKE PERMANENT REPAIRS. SPLICING OF ELECTRIC CABLE WILL NOT BE ALLOWED. ELECTRIC CABLE SHALL BE REPLACED FROM POLE TO POLE OR CONTROLLER.
- 25 THE WORK REQUIRED TO CONNECT ANY SEWER TO AN EXISTING DRAINAGE STRUCTURE OR PIPE WILL NOT BE PAID FOR SEPARATELY, BUT WILL BE CONSIDERED AS INCLUDED IN THE CONTRACT UNIT PRICE BID FOR THESE SEWER ITEMS.

FILE NAME = 13290-NOTE-01 - IDOT P01	USER NAME =	DESIGNED -- JRA/WPD	REVISED --	STATE OF ILLINOIS DEPARTMENT OF TRANSPORTATION	GENERAL NOTES				F.A.P RTE.	SECTION	COUNTY	TOTAL SHEETS	SHEET NO.
		CHECKED -- JRA/WPD	REVISED --						68	13-00167-00-LS	LASALLE	28	02
	PLOT SCALE =	DRAWN -- ACAD	REVISED --									CONTRACT NO. 87635	
	PLOT DATE = 03-23-16	CHECKED -- ACAD	REVISED --			SCALE:	SHEET NO. 02	OF 28 SHEETS	STA.	TO STA.	FED. ROAD DIST. NO. 3	ILLINOIS	FED. AID PROJECT

SUMMARY OF QUANTITIES					ROADWAY	SAFETY	LANDSCAPE
S.I.	CODE NO.	PAY ITEM	UNIT	QUAN	CONSTRUCTION TYPE CODE		
					0005	0021	0031
	20200100	EARTH EXCAVATION	CU YD	25	25		
	20200200	ROCK EXCAVATION	CU YD	105	105		
	20800150	TRENCH BACKFILL	CU YD	231	231		
*	21101635	TOPSOIL FURNISH AND PLACE, 9"	SQ YD	82			82
*	21101645	TOPSOIL FURNISH AND PLACE, 12"	SQ YD	780			780
*	21101685	TOPSOIL FURNISH AND PLACE, 24"	SQ YD	46			46
△	25200110	SODDING, SALT TOLERANT	SQ YD	82			82
	28000510	INLET FILTERS	EACH	35	35		
	35101600	AGGREGATE BASE COURSE, TYPE B 4"	SQ YD	537		537	
	40600275	BITUMINOUS MATERIALS (PRIME COAT)	POUND	1943	1943		
	40600635	LEVELING BINDER (MACHINE METHOD), N70	TON	185	185		
	40600982	HOT-MIX ASPHALT SURFACE REMOVAL - BUTT JOINT	SQ YD	464	464		
	40603340	HOT-MIX ASPHALT SURFACE COURSE, MIX "D", N70	TON	370	370		
	42300300	PORTLAND CEMENT CONCRETE DRIVEWAY PAVEMENT, 7 INCH	SQ YD	35	35		
	42400200	PORTLAND CEMENT CONCRETE SIDEWALK 5 INCH	SQ FT	4879		4879	
*	42400800	DETECTABLE WARNINGS	SQ FT	465		465	
	44000100	PAVEMENT REMOVAL	SQ YD	780	780		
	44000200	DRIVEWAY PAVEMENT REMOVAL	SQ YD	35	35		
	44000500	COMBINATION CURB AND GUTTER REMOVAL	FOOT	1119	1119		
	44000600	SIDEWALK REMOVAL	SQ FT	6877			6877
	44201765	CLASS D PATCHES, TYPE II, 10 INCH	SQ YD	90	90		
	44201769	CLASS D PATCHES, TYPE III, 10 INCH	SQ YD	65	65		
△	50200400	ROCK EXCAVATION FOR STRUCTURES	CU YD	6		6	
*	550A0040	STORM SEWERS, CLASS A, TYPE 1 10"	FOOT	80	80		
*	550A0050	STORM SEWERS, CLASS A, TYPE 1 12"	FOOT	80	80		
*	550A0340	STORM SEWERS, CLASS A, TYPE 2 12"	FOOT	216	216		
*	550B0340	STORM SEWERS, CLASS B, TYPE 2 12"	FOOT	165	165		

* - INDICATES SPECIAL PROVISION
△ - INDICATES SPECIALTY ITEMS

SUMMARY OF COMMITMENTS:

THE ILLINOIS STATE HISTORIC PRESERVATION OFFICER (SHPO) WILL BE GIVEN THE OPPORTUNITY TO REVIEW AND APPROVE THE FINAL PLANS AND SPECIFICATIONS PRIOR TO THE INITIATION OF CONSTRUCTION ACTIVITIES.

THE LIGHTING UNIT DESIGN AND LANDSCAPE DESIGN FOR PHASE II WILL FOLLOW THE REQUIREMENTS IN THE BDE MANUAL.

THE DISTRICT LANDSCAPE ARCHITECT WILL BE GIVEN THE PROPOSED PLANS OF TREES/PLANS TO BE REVIEWED IN PHASE II.

A FORMAL AGREEMENT WITH THE CITY STATING THAT THE CITY WILL MAINTAIN THE LANDSCAPING ITEMS AND SIDEWALK ON STATE RIGHT OF WAY WILL BE COMPLETED PRIOR TO THE CONSTRUCTION LETTING.

THE PLANS WILL BE REVIEWED BY THE DISTRICT GEOMETRICS ENGINEER AND COORDINATION FOR ALTERATION OF INTERSECTIONS ALONG THE STATE ROUTE WILL TAKE PLACE IN PHASE II.

FILE NAME = 13290-QUAN-01 - IDOT P01

USER NAME =	DESIGNED -- JRA/WPD	REVISED --
	CHECKED -- JRA/WPD	REVISED --
PLOT SCALE =	DRAWN -- KM	REVISED --
PLOT DATE = 03-23-16	CHECKED -- AG	REVISED --

STATE OF ILLINOIS
DEPARTMENT OF TRANSPORTATION

GENERAL NOTES

SCALE: SHEET NO. 03 OF 28 SHEETS STA. TO STA. F.A.P. RTE. SECTION COUNTY TOTAL SHEETS SHEET NO. 68 13-00167-00-LS LASALLE 28 03 CONTRACT NO. 87635 FED. ROAD DIST. NO. 3 ILLINOIS FED. AID PROJECT TE-00D3(096)

SUMMARY OF QUANTITIES					ROADWAY	SAFETY	LANDSCAPE
S.I.	CODE NO.	PAY ITEM	UNIT	QUAN	CONSTRUCTION TYPE CODE		
					0005	0021	0031
	55100400	STORM SEWER REMOVAL 10"	FOOT	125	125		
	55100500	STORM SEWER REMOVAL 12"	FOOT	4	4		
	60200105	CATCH BASINS, TYPE A, 4'-DIAMETER, TYPE 1 FRAME, OPEN LID	EACH	6	6		
	60200205	CATCH BASINS, TYPE A, 4'-DIAMETER, TYPE 1 FRAME, CLOSED LID	EACH	1	1		
	60206905	CATCH BASINS, TYPE C, TYPE 1 FRAME, OPEN LID	EACH	14	14		
	60218400	MANHOLES, TYPE A, 4'-DIAMETER, TYPE 1 FRAME, CLOSED LID	EACH	1	1		
	60221100	MANHOLES, TYPE A, 5'-DIAMETER, TYPE 1 FRAME, CLOSED LID	EACH	1	1		
	60234200	INLETS, TYPE A, TYPE 1 FRAME, OPEN LID	EACH	9	9		
	60237460	INLETS, TYPE A, TYPE 23 FRAME AND GRATE	EACH	1	1		
	60255500	MANHOLES TO BE ADJUSTED	EACH	8	8		
	60260100	INLETS TO BE ADJUSTED	EACH	1	1		
	60260300	INLETS TO BE ADJUSTED WITH NEW TYPE 1 FRAME, OPEN LID	EACH	2	2		
	60260400	INLETS TO BE ADJUSTED WITH NEW TYPE 1 FRAME, CLOSED LID	EACH	1	1		
	60500060	REMOVING INLETS	EACH	14	14		
	60604400	COMBINATION CONCRETE CURB AND GUTTER, TYPE B-6.18	FOOT	1521	1521		
△	*	66900200 NON-SPECIAL WASTE DISPOSAL	CU YD	68	68		
△	*	66900450 SPECIAL WASTE PLANS AND REPORTS	L SUM	1	1		
△	*	66900530 SOIL DISPOSAL ANALYSIS	EACH	3	3		
		67100100 MOBILIZATION	LSUM	1	1		
		72400710 RELOCATE SIGN PANEL - TYPE 1	SQ FT	15		15	
△		72800100 TELESCOPING STEEL SIGN SUPPORT	FOOT	15		15	
△		73100100 BASE FOR TELESCOPING STEEL SIGN SUPPORT	EACH	1		1	
△		78000100 THERMOPLASTIC PAVEMENT MARKING - LETTERS AND SYMBOLS	SQ FT	118		118	
△		78000200 THERMOPLASTIC PAVEMENT MARKING - LINE 4"	FOOT	696		696	
△		78000400 THERMOPLASTIC PAVEMENT MARKING - LINE 6"	FOOT	932		932	
△		78000600 THERMOPLASTIC PAVEMENT MARKING - LINE 12"	FOOT	1297		1297	
△		78000650 THERMOPLASTIC PAVEMENT MARKING - LINE 24"	FOOT	349		349	

* - INDICATES SPECIAL PROVISION
△ - INDICATES SPECIALTY ITEMS

FILE NAME = 13280-QUAN-01 - IDOT P02
USER NAME =
DESIGNED -- JRA/WPD
CHECKED -- JRA/WPD
PLOT SCALE =
DRAWN -- KM
PLOT DATE = 03-23-16
CHECKED -- AG

REVISED --
REVISED --
REVISED --
REVISED --

STATE OF ILLINOIS
DEPARTMENT OF TRANSPORTATION

GENERAL NOTES
SCALE: 1" = 40'
SHEET NO. 04 OF 28 SHEETS
STA. TO STA.

F.A.P. RTE	SECTION	COUNTY	TOTAL SHEETS	SHEET NO.
68	13-00167-00-LS	LASALLE	28	04
CONTRACT NO. 87835				
FED. ROAD DIST. NO. 3 ILLINOIS FED. AID PROJECT TE-06D3(096)				

SUMMARY OF QUANTITIES					ROADWAY	SAFETY	LANDSCAPE
S.I.	CODE NO.	PAY ITEM	UNIT	QUAN	CONSTRUCTION TYPE CODE		
					0005	0021	0031
△	78903130	PREFORMED PLASTIC PAVEMENT MARKING, TYPE B - LINE 6"	FOOT	160		160	
△	80400100	ELECTRIC SERVICE INSTALLATION	EACH	1		1	
△	81028200	UNDERGROUND CONDUIT, GALVANIZED STEEL, 2" DIA.	FOOT	600		600	
△	81603090	UNIT DUCT, 600V, 3-1/C NO.4, 1/C NO.6 GROUND, (XLP-TYPE USE), 1 1/4" DIA. POLYETHYLENE	FOOT	3600		3600	
△	81702440	ELECTRIC CABLE IN CONDUIT, 600V(XLP-TYPE USE) 3-1/C NO. 1/0	FOOT	285		285	
△	82500370	LIGHTING CONTROLLER, BASE MOUNTED, 240VOLT, 200AMP	EACH	1		1	
△	* 83600200	LIGHT POLE FOUNDATION, 24" DIAMETER	FOOT	153		153	
△	* 89502376	REBUILD EXISTING HANDHOLE	EACH	19		19	
△	A2004619	TREE, GLEDITSIA TRIACANTHOS VAR. INERMIS IMPERIAL (IMPERIAL THORNLESS HONEYLOCUST), 1-3/4" CALIPER, BALLED AND BURLAPPED	EACH	1			1
△	A2005016	TREE, GYMNOCLADUS DIOICUS (KENTUCKY COFFEETREE), 2" CALIPER, BALLED AND BURLAPPED	EACH	1			1
△	A2007014	TREE, QUERCUS ROBUR FASTIGIATA (FASTIGIATE ENGLISH OAK), 1-3/4" CALIPER, BALLED AND BURLAPPED	EACH	3			3
△	A2018718	TREE, ULMUS CARPINIFOLIA MORTON, (ACCOLADE ELM), 2" CALIPER, BALLED AND BURLAPPED	EACH	3			3
	* X4401198	HOT-MIX ASPHALT SURFACE REMOVAL, VARIABLE DEPTH	SQ YD	4404	4404		
	* X6026050	SANITARY MANHOLES TO BE ADJUSTED	EACH	9	9		
	* X6026624	VALVE BOXES TO BE ADJUSTED (SPECIAL)	EACH	15	15		
	* X7010216	TRAFFIC CONTROL AND PROTECTION, (SPECIAL)	LSUM	1		1	
△	X7830072	GROOVING FOR RECESSED PAVEMENT MARKING 6"	FOOT	160		160	
△	* XX007295	LIGHTING UNIT A, COMPLETE	EACH	20		20	
△	* XX008207	LIGHTS, PEDESTRIAN	EACH	14		14	

* - INDICATES SPECIAL PROVISION
△ - INDICATES SPECIALTY ITEMS

FILE NAME = 13290-QUAN-01 - IDOT P03

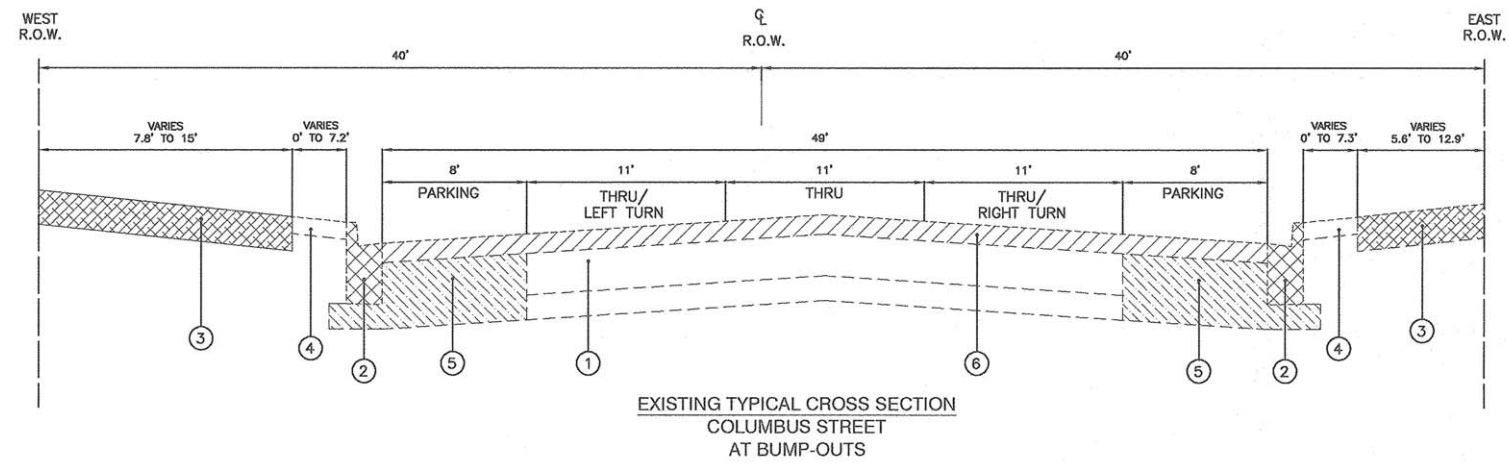
USER NAME =	DESIGNED -- JRA/WPD	REVISED --
	CHECKED -- JRA/WPD	REVISED --
PLOT SCALE =	DRAWN -- KM	REVISED --
PLOT DATE = 03-23-16	CHECKED -- AG	REVISED --

STATE OF ILLINOIS
DEPARTMENT OF TRANSPORTATION

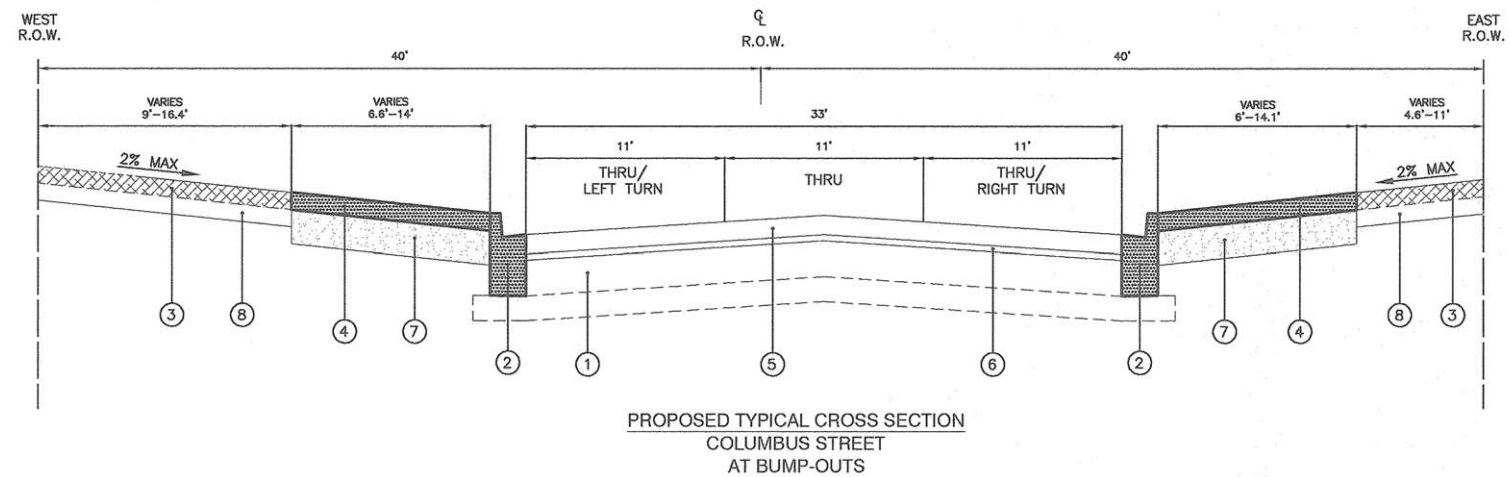
GENERAL NOTES

SCALE: SHEET NO. 05 OF 28 SHEETS STA. TO STA.

F.A.P. RTE.	SECTION	COUNTY	TOTAL SHEETS	SHEET NO.
68	13-00167-00-LS	LASALLE	28	05
CONTRACT NO. 87635				
FED. ROAD DIST. NO. 3 ILLINOIS FED. AID PROJECT TE-00D3(086)				



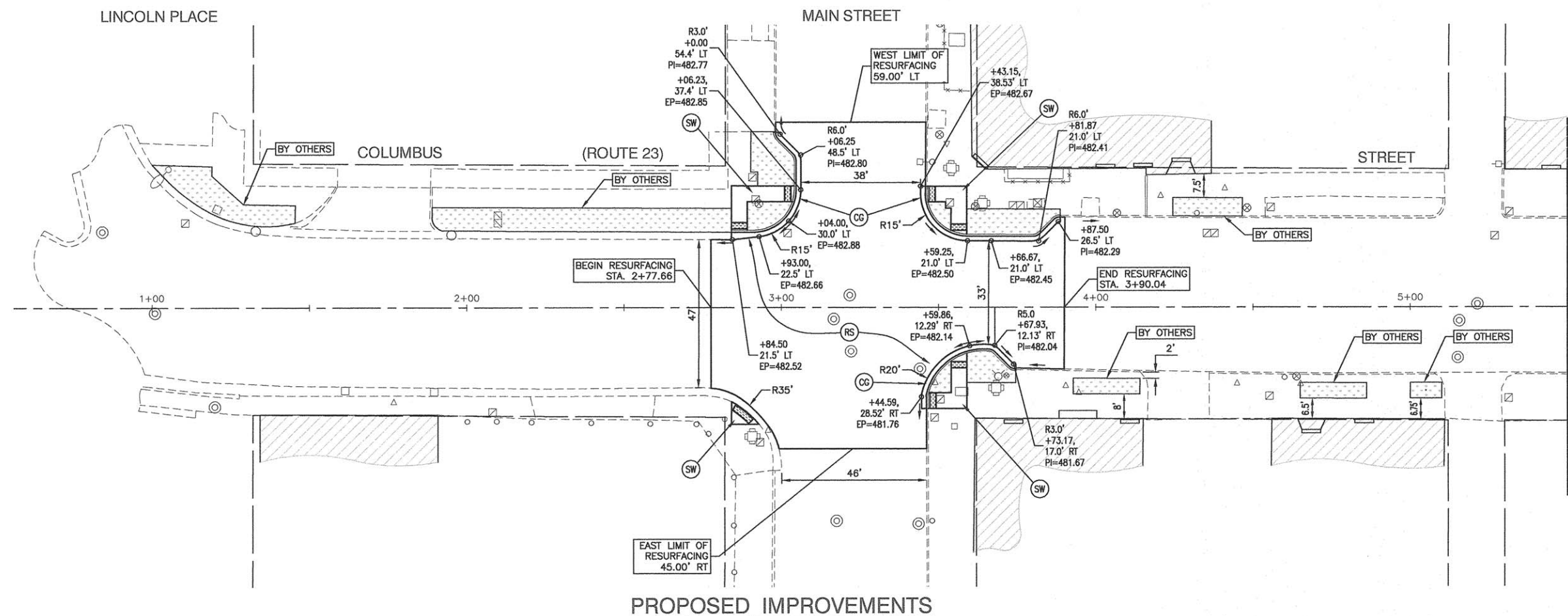
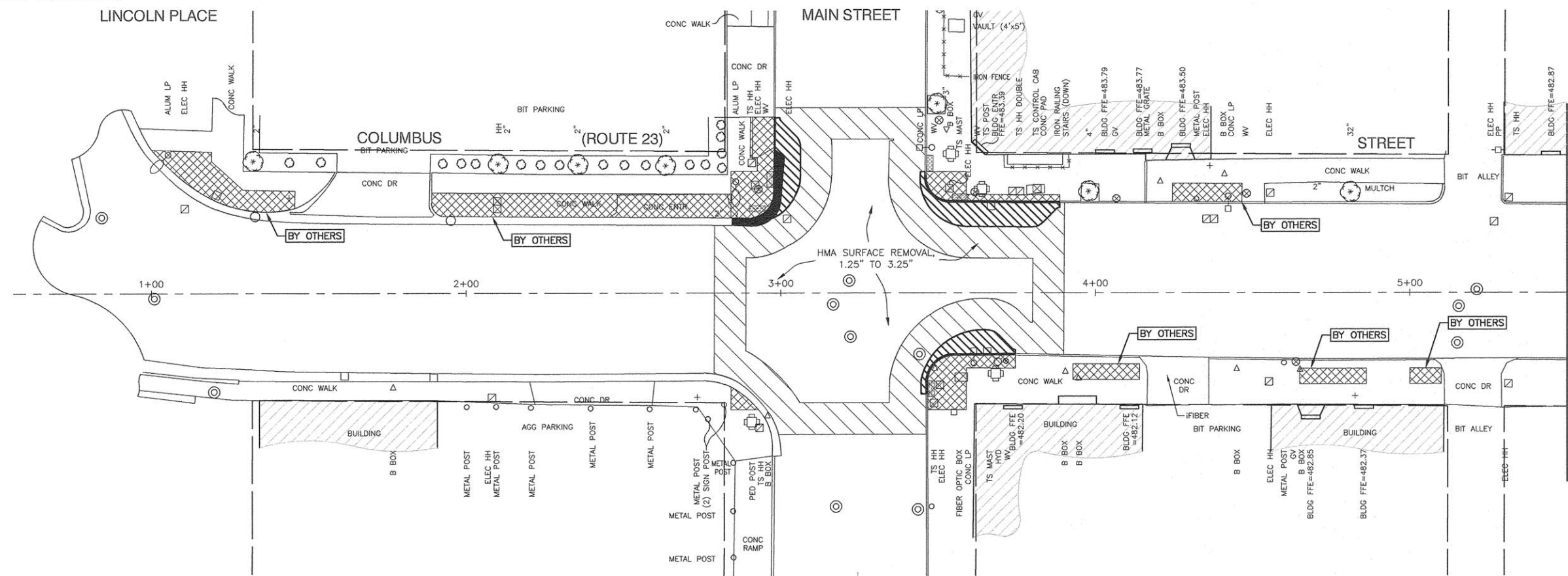
1. EXISTING HMA PAVEMENT
2. EXISTING CURB & GUTTER, TYPE B-6.12 REMOVAL
3. EXISTING P.C.C. SIDEWALK REMOVAL
4. EXISTING TURF/PLANTINGS
5. HMA PAVEMENT REMOVAL
6. HMA SURFACE REMOVAL, VARIABLE DEPTH, (3/4" TO 4 3/4")



1. EXISTING HMA PAVEMENT
2. PROPOSED CURB & GUTTER, TYPE B-6.18
3. PROPOSED P.C.C. SIDEWALK
4. PROPOSED LANDSCAPED PLANTINGS AREA (BUMP-OUTS)
5. HMA SURFACE COURSE, MIX "D", N70 (1-1/2")
6. LEVELING BINDER (MACHINE METHOD), N70, (3/4")
7. TOP SOIL FURNISH AND PLACE, 9", 12" OR 24"
8. AGGREGATE BASE COURSE, TYPE B, 4"

HOT-MIX ASPHALT MIXTURE REQUIREMENTS	
MIXTURE TYPE	AIR VOIDS @ Ndes
PAVEMENT RESURFACING	
HOT-MIX ASPHALT SURFACE COURSE, MIX "D", N70; 1-1/2"	4% @ 70 Gyr.
LEVELING BINDER (MACHINE METHOD), N70, 3/4"	4% @ 70 Gyr.
TRENCH PATCHING	
CLASS D PATCHES, TYPE II (HMA BINDER IL-19 mm); 10"	4% @ 70 Gyr.

1. THE UNIT WEIGHT USED TO CALCULATE ALL HMA SURFACE MIXTURE QUANTITIES IS 112 LBS/SQ YD/IN.
2. MILLING SHALL BE DONE BEFORE PATCHING.



LINE & SYMBOL LEGEND

- BUFFALO BOX
- FIRE HYDRANT
- VALVE
- VALVE BASIN
- SIGN
- INLET
- CATCH BASIN
- MANHOLE
- TRAFFIC SIGNAL
- ALUMINUM LIGHT POLE
- STEEL LIGHT POLE
- POWER POLE W/ LIGHT
- POWER POLE
- HANDHOLE
- DOUBLE HANDHOLE
- CONTROL CABINET
- TREE
- BUSH / HEDGE
- RIGHT OF WAY
- CHAIN LINK FENCE
- WOOD FENCE
- WROUGHT IRON FENCE
- STORM SEWER
- SANITARY SEWER
- WATER MAIN
- BURIED CABLE TV
- BURIED ELECTRIC
- BURIED TELEPHONE
- GAS MAIN
- EXISTING TREE REMOVAL
- COMBINATION CURB AND GUTTER REMOVAL
- CONCRETE SIDEWALK REMOVAL
- CONCRETE DRIVEWAY REMOVAL
- HMA PAVEMENT REMOVAL
- HMA SURFACE REMOVAL
- CLASS D PATCH
- LANDSCAPED PLANTINGS AREA
- DETECTABLE WARNINGS
- COMBINATION CONCRETE CURB & GUTTER, TYPE B-6.18
-
-
-

FILE NAME = 13280-PLAN-01 - P01
USER NAME =
PLOT SCALE =
PLOT DATE = 03-23-16

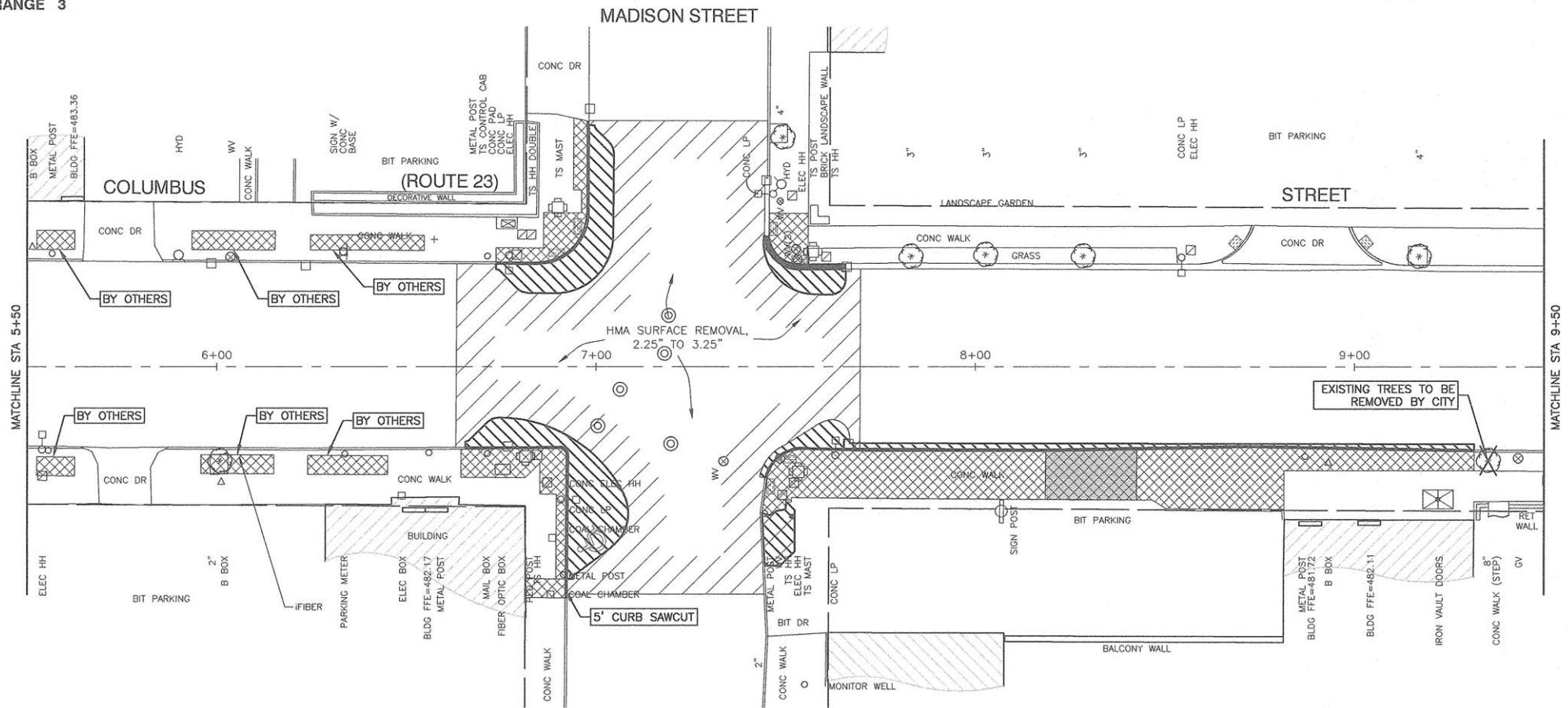
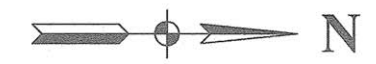
DESIGNED — JRA/WPD	REVISD —
CHECKED — PKB	REVISD —
DRAWN — JJB	REVISD —
CHECKED — ACAD	REVISD —

STATE OF ILLINOIS
DEPARTMENT OF TRANSPORTATION

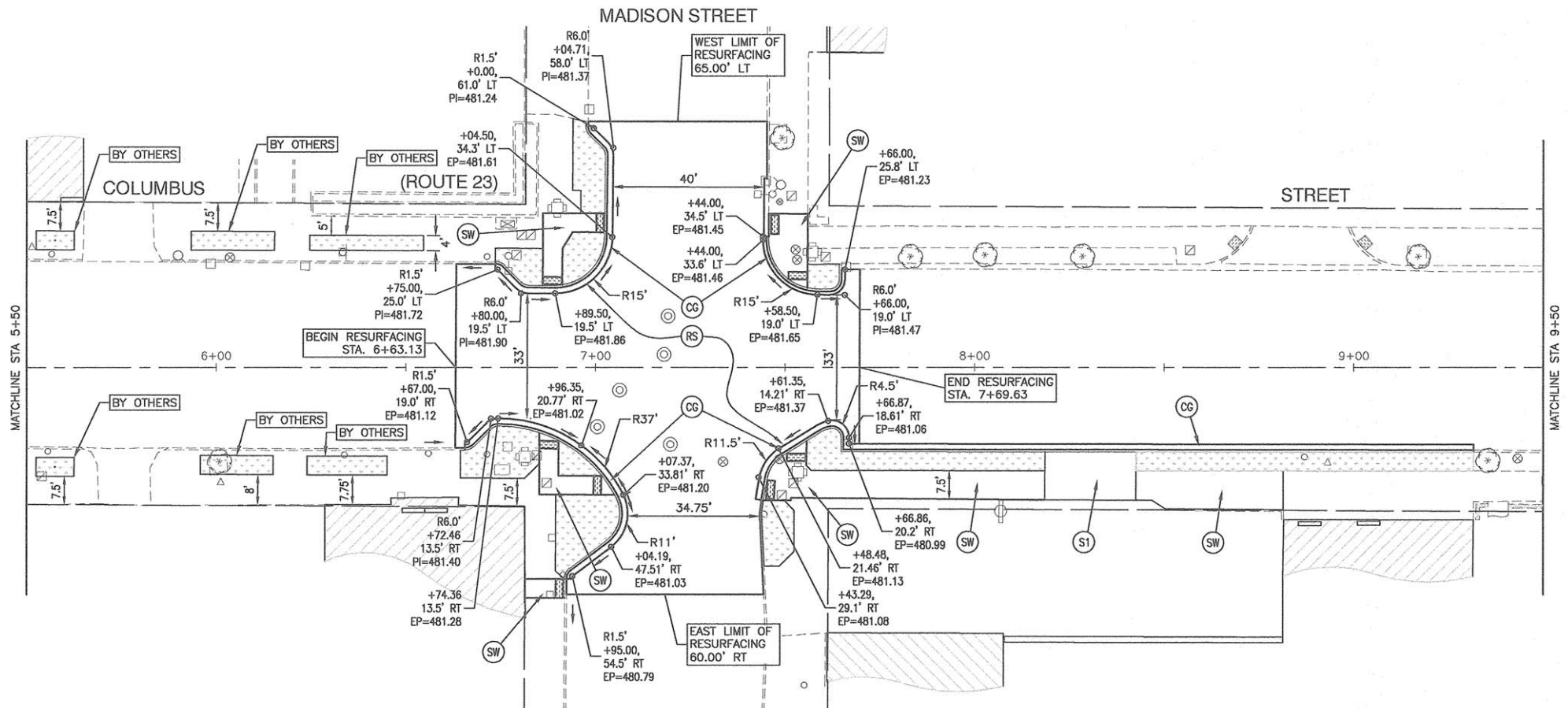
COLUMBUS STREET LIGHTING & BEAUTIFICATION
COLUMBUS STREET AT MAIN STREET
EXISTING AND PROPOSED PLAN VIEW

F.A.P. RTE. 68	SECTION 13-00167-09-LS	COUNTY LASALLE	TOTAL SHEETS 28	SHEET NO. 07
CONTRACT NO. 87635				
FED. ROAD DIST. NO. 3 ILLINOIS FED. AID PROJECT TE-00D3(096)				

SCALE: 1"= 20' SHEET NO. 07 OF 28 SHEETS STA. 0+50 TO STA. 5+50



EXISTING CONDITIONS



PROPOSED IMPROVEMENTS

LINE & SYMBOL LEGEND

- BUFFALO BOX
- FIRE HYDRANT
- VALVE
- VALVE BASIN
- SIGN
- INLET
- CATCH BASIN
- MANHOLE
- TRAFFIC SIGNAL
- ALUMINUM LIGHT POLE
- STEEL LIGHT POLE
- POWER POLE W/ LIGHT
- POWER POLE
- HANDHOLE
- DOUBLE HANDHOLE
- CONTROL CABINET
- TREE
- BUSH / HEDGE
- RIGHT OF WAY
- CHAIN LINK FENCE
- WOOD FENCE
- WROUGHT IRON FENCE
- STORM SEWER
- SANITARY SEWER
- WATER MAIN
- BURIED CABLE TV
- BURIED ELECTRIC
- BURIED TELEPHONE
- GAS MAIN
- EXISTING TREE REMOVAL
- COMBINATION CURB AND GUTTER REMOVAL
- CONCRETE SIDEWALK REMOVAL
- CONCRETE DRIVEWAY REMOVAL
- HMA PAVEMENT REMOVAL
- HMA SURFACE REMOVAL
- CLASS D PATCH
- LANDSCAPED PLANTINGS AREA
- DETECTABLE WARNINGS
- COMBINATION CONCRETE CURB & GUTTER, TYPE B-6.1B
- HMA RESURFACING (3/4" LEVELING BINDER, 1-1/2" SURFACE COURSE)
- PCC SIDEWALK, 5"
- PCC DRIVEWAY, 7"

FILE NAME = 13290-PLAN-01 - P02
USER NAME =
PLOT SCALE =
PLOT DATE = 03-23-16

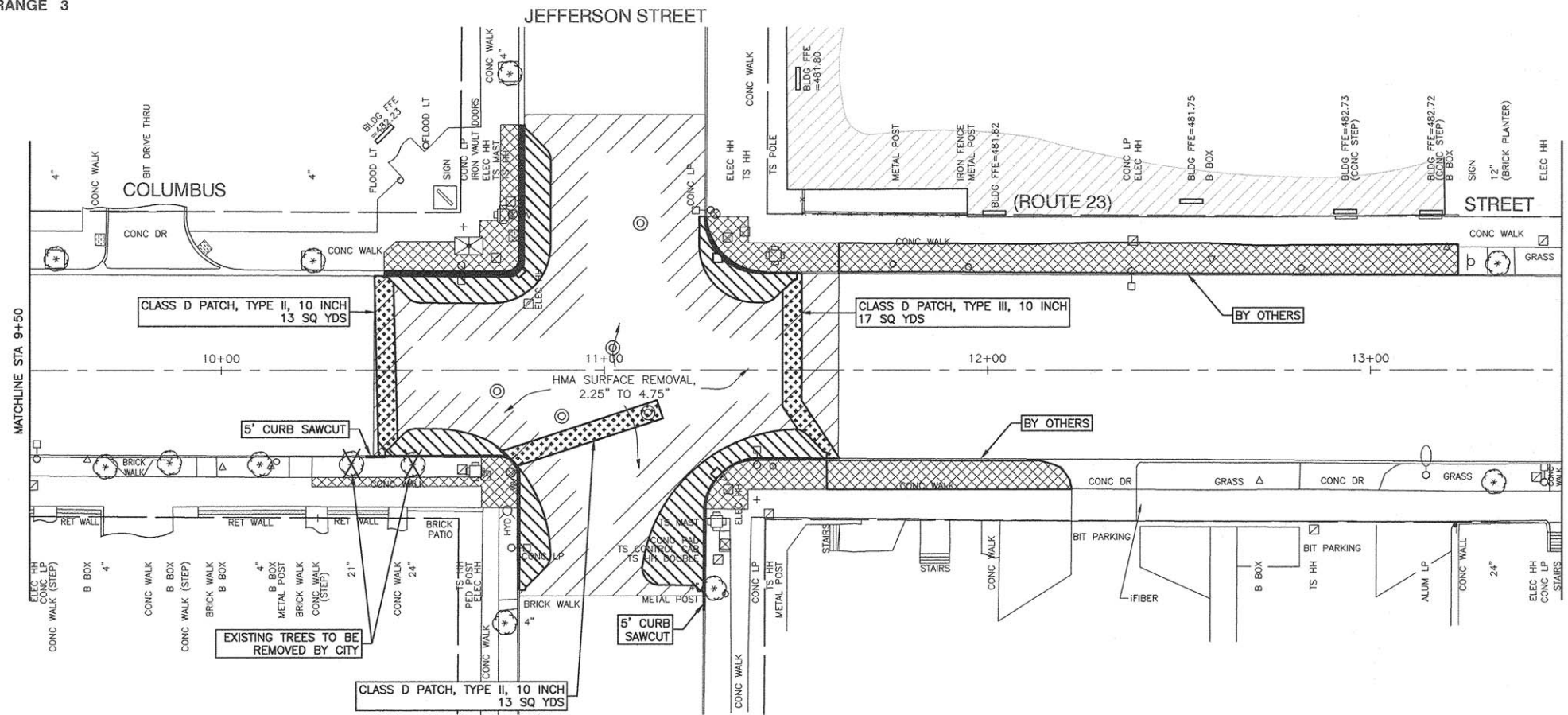
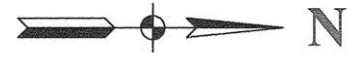
DESIGNED — JRA/VPD	REVISION —
CHECKED — PKB	REVISION —
DRAWN — JJB	REVISION —
CHECKED — ACAD	REVISION —

STATE OF ILLINOIS
DEPARTMENT OF TRANSPORTATION

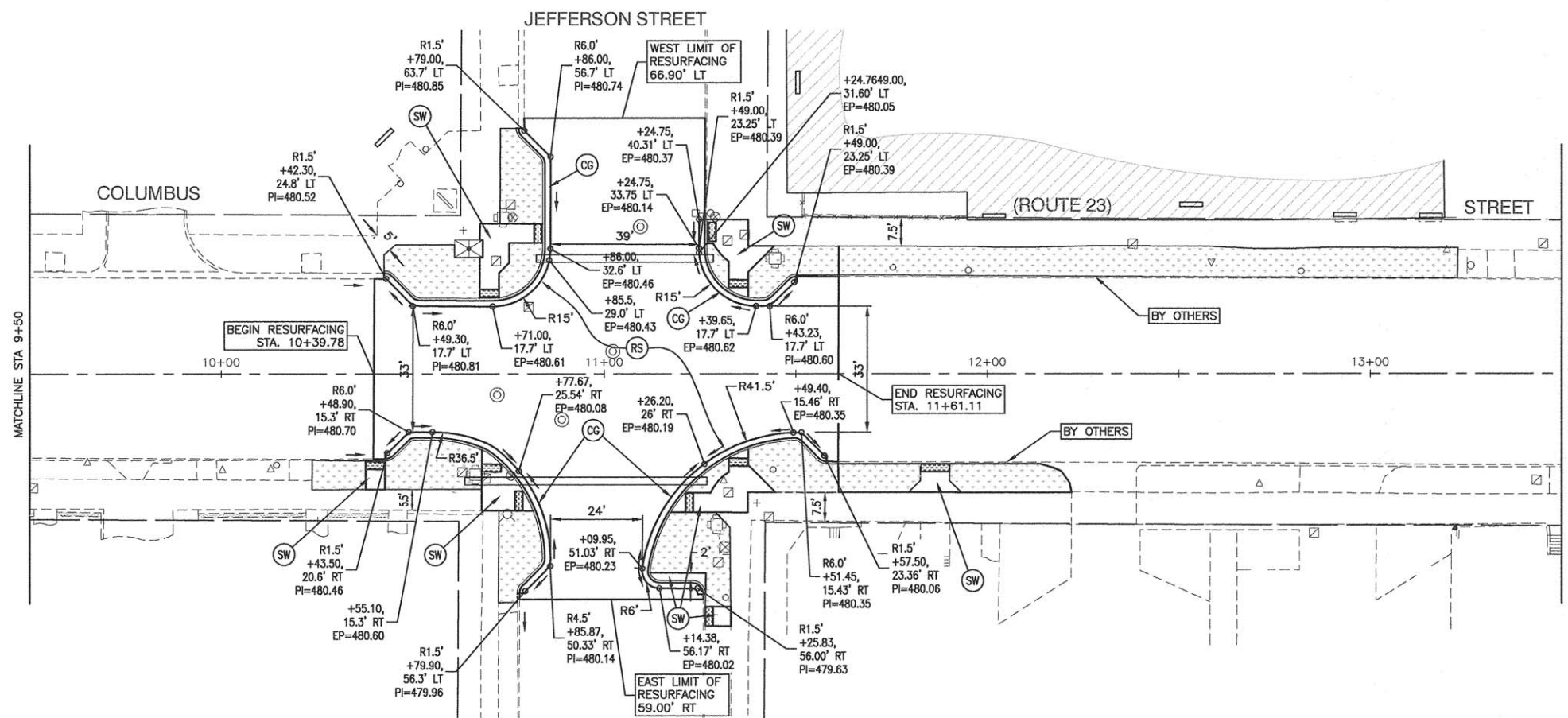
COLUMBUS STREET LIGHTING & BEAUTIFICATION
COLUMBUS STREET AT MADISON STREET
EXISTING AND PROPOSED PLAN VIEW

F.A.P. RTE. 68	SECTION 13-00167-00-LS	COUNTY LASALLE	TOTAL SHEETS 28	SHEET NO. 08
CONTRACT NO. 87635				
FED. ROAD DIST. NO. 3 ILLINOIS FED. AID PROJECT TE-00D3(086)				

SCALE: 1" = 20' SHEET NO. 08 OF 28 SHEETS STA. 5+50 TO STA. 9+50



EXISTING CONDITIONS



PROPOSED IMPROVEMENTS

LINE & SYMBOL LEGEND

- BUFFALO BOX
- FIRE HYDRANT
- VALVE
- VALVE BASIN
- SIGN
- INLET
- CATCH BASIN
- MANHOLE
- TRAFFIC SIGNAL
- ALUMINUM LIGHT POLE
- STEEL LIGHT POLE
- POWER POLE W/ LIGHT
- POWER POLE
- HANDHOLE
- DOUBLE HANDHOLE
- CONTROL CABINET
- TREE
- BUSH / HEDGE
- RIGHT OF WAY
- CHAIN LINK FENCE
- WOOD FENCE
- WROUGHT IRON FENCE
- STORM SEWER
- SANITARY SEWER
- WATER MAIN
- BURIED CABLE TV
- BURIED ELECTRIC
- BURIED TELEPHONE
- GAS MAIN
- EXISTING TREE REMOVAL
- COMBINATION CURB AND GUTTER REMOVAL
- CONCRETE SIDEWALK REMOVAL
- CONCRETE DRIVEWAY REMOVAL
- HMA PAVEMENT REMOVAL
- HMA SURFACE REMOVAL
- CLASS D PATCH
- LANDSCAPED PLANTINGS AREA
- DETECTABLE WARNINGS
- COMBINATION CONCRETE CURB & GUTTER, TYPE B-6.18
- HMA RESURFACING (3/4" LEVELING BINDER, 1-1/2" SURFACE COURSE)
- PCC SIDEWALK, 5"
- PCC DRIVEWAY, 7"

FILE NAME = 13280-PLAN-01 - P03

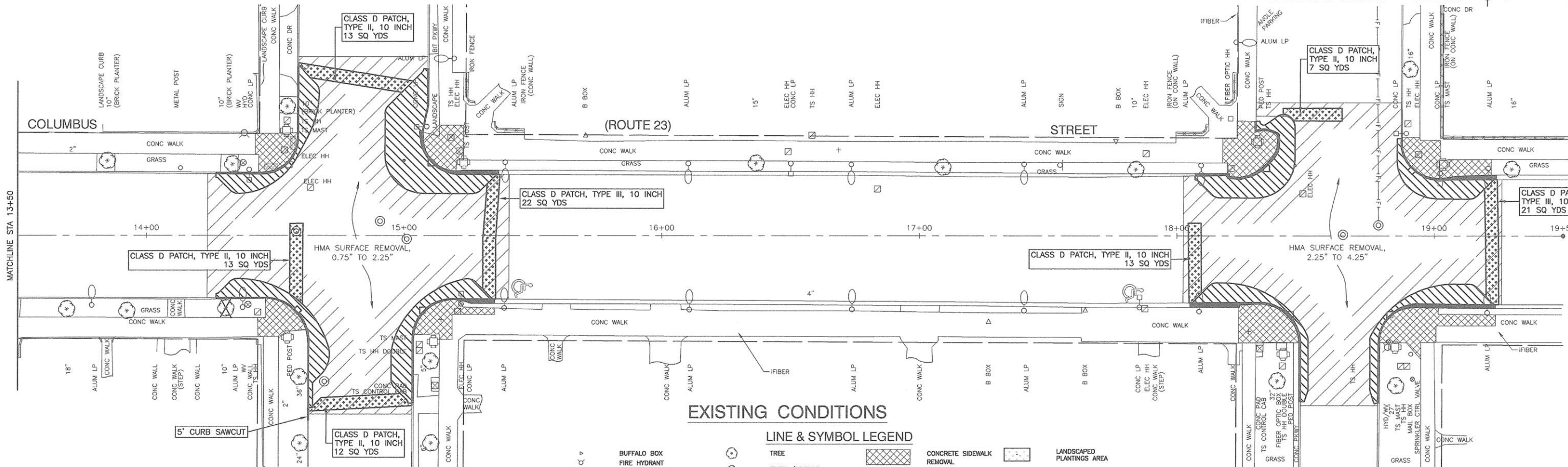
USER NAME =	DESIGNED — JRA/WPD	REVISED —
PLOT SCALE =	CHECKED — PKB	REVISED —
PLOT DATE = 03-23-16	DRAWN — JJB	REVISED —
	CHECKED — ACAD	REVISED —

STATE OF ILLINOIS
DEPARTMENT OF TRANSPORTATION

COLUMBUS STREET LIGHTING & BEAUTIFICATION
COLUMBUS STREET AT JEFFERSON STREET
EXISTING AND PROPOSED PLAN VIEW

SCALE: 1" = 20' SHEET NO. 09 OF 28 SHEETS STA. 9+50 TO STA. 13+50

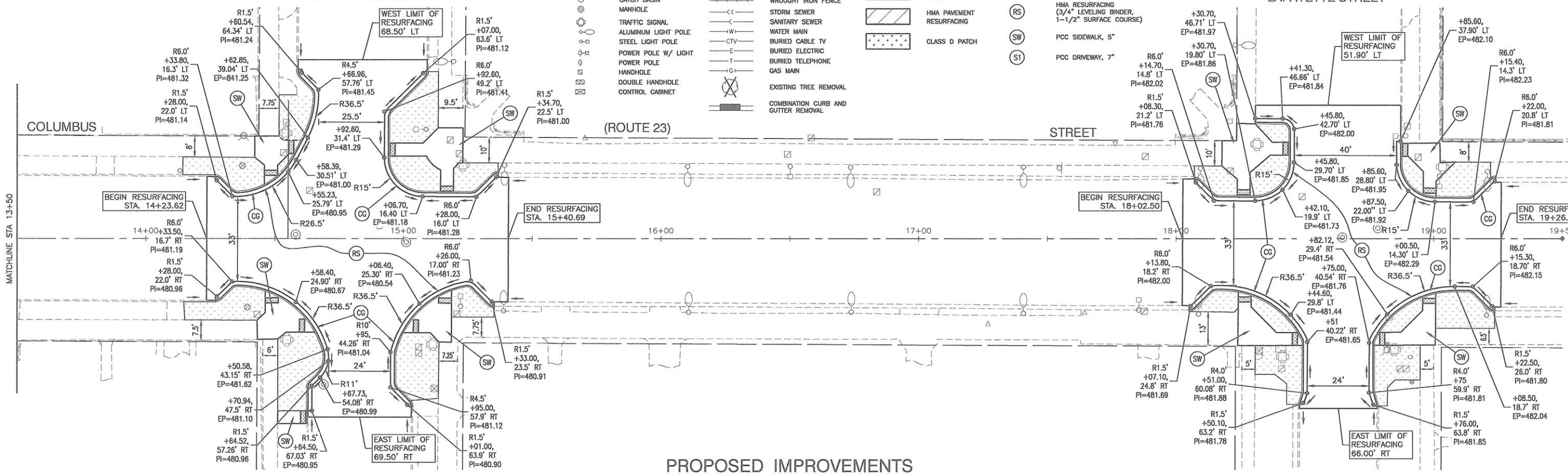
F.A.P. RTE. 68	SECTION 13-00167-00-LS	COUNTY LASALLE	TOTAL SHEETS 28	SHEET NO. 09
CONTRACT NO. 87635				
FED. ROAD DIST. NO. 3 ILLINOIS FED. AID PROJECT TE-00D3(096)				



EXISTING CONDITIONS

LINE & SYMBOL LEGEND

- | | | | |
|--|---|---|--|
| <ul style="list-style-type: none"> BUFFALO BOX FIRE HYDRANT VALVE VALVE BASIN SIGN INLET CATCH BASIN MANHOLE TRAFFIC SIGNAL ALUMINUM LIGHT POLE STEEL LIGHT POLE POWER POLE W/ LIGHT POWER POLE HANDHOLE DOUBLE HANDHOLE CONTROL CABINET | <ul style="list-style-type: none"> TREE BUSH / HEDGE RIGHT OF WAY CHAIN LINK FENCE WOOD FENCE WROUGHT IRON FENCE STORM SEWER SANITARY SEWER WATER MAIN BURIED CABLE TV BURIED ELECTRIC BURIED TELEPHONE GAS MAIN EXISTING TREE REMOVAL COMBINATION CURB AND GUTTER REMOVAL | <ul style="list-style-type: none"> CONCRETE SIDEWALK REMOVAL CONCRETE DRIVEWAY REMOVAL HMA PAVEMENT REMOVAL HMA PAVEMENT RESURFACING CLASS D PATCH | <ul style="list-style-type: none"> LANDSCAPED PLANTINGS AREA DETECTABLE WARNINGS COMBINATION CONCRETE CURB & GUTTER, TYPE B-6.18 HMA RESURFACING (3/4" LEVELING BINDER, 1-1/2" SURFACE COURSE) PCC SIDEWALK, 5" PCC DRIVEWAY, 7" |
|--|---|---|--|



PROPOSED IMPROVEMENTS

FILE NAME = 13290-PLAN-01 - P04

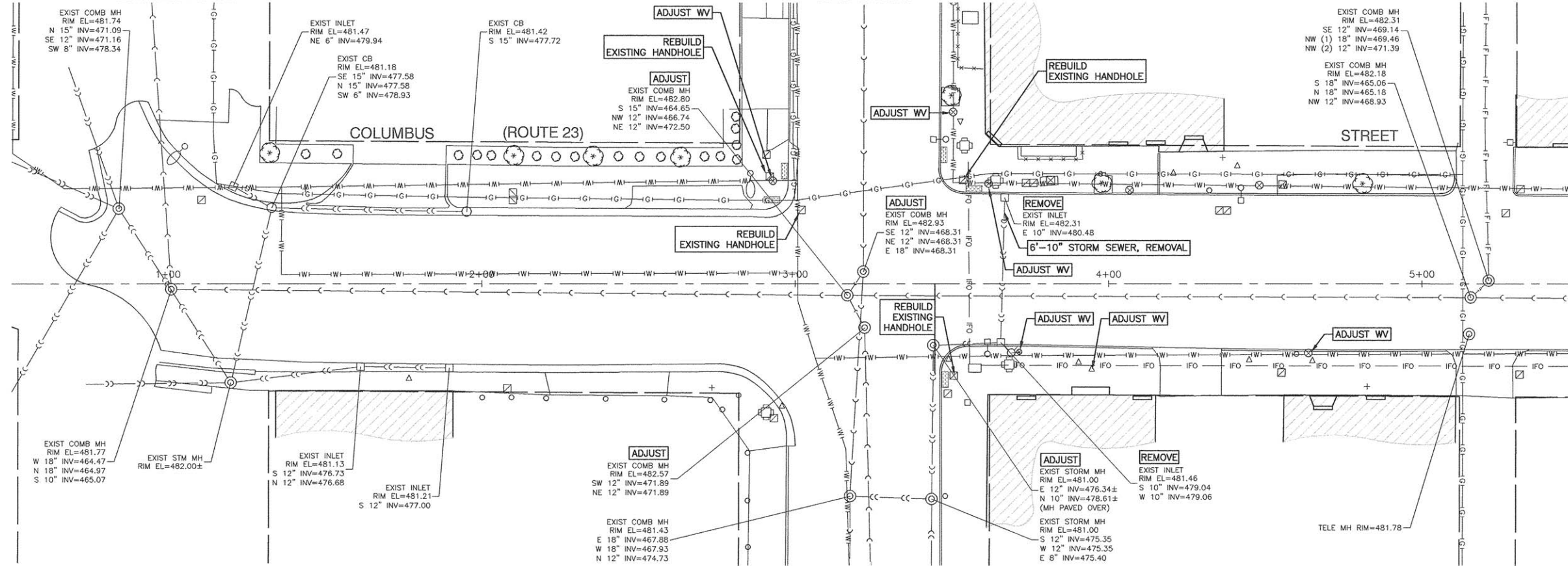
USER NAME =	DESIGNED — JRA/WPD	REVISED —
PLOT SCALE =	CHECKED — PKB	REVISED —
PLOT DATE = 03-23-16	DRAWN — JJB	REVISED —
	CHECKED — ACAD	REVISED —

STATE OF ILLINOIS
DEPARTMENT OF TRANSPORTATION

COLUMBUS STREET LIGHTING & BEAUTIFICATION
COLUMBUS STREET AT JACKSON STREET/LAFAYETTE STREET
EXISTING AND PROPOSED PLAN VIEW

SCALE: 1" = 20' SHEET NO. 10 OF 28 SHEETS STA. 13+50 TO STA. 19+50

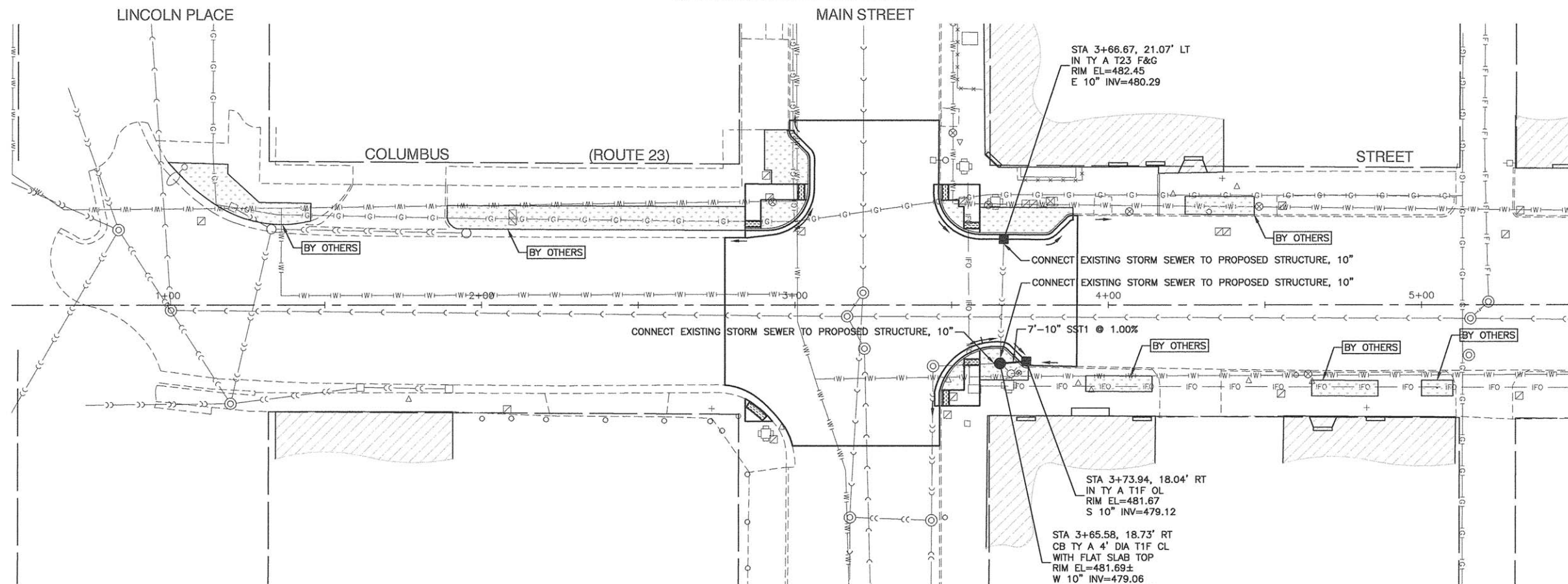
F.A.P. RTE	SECTION	COUNTY	TOTAL SHEETS	SHEET NO.
88	13-00167-00-LS	LASALLE	28	10
CONTRACT NO. 87635				
FED. ROAD DIST. NO. 3 ILLINOIS FED. AID PROJECT TE-00D3(096)				



EXISTING CONDITIONS

LINE & SYMBOL LEGEND

- BUFFALO BOX
- FIRE HYDRANT
- VALVE
- VALVE BASIN
- SIGN
- INLET
- CATCH BASIN
- MANHOLE
- TRAFFIC SIGNAL
- ALUMINUM LIGHT POLE
- STEEL LIGHT POLE
- POWER POLE W/ LIGHT
- POWER POLE
- HANDHOLE
- DOUBLE HANDHOLE
- CONTROL CABINET
- TREE
- BUSH / HEDGE
- RIGHT OF WAY
- CHAIN LINK FENCE
- WOOD FENCE
- WROUGHT IRON FENCE
- STORM SEWER
- SANITARY SEWER
- WATER MAIN
- BURIED CABLE TV
- BURIED ELECTRIC
- BURIED TELEPHONE
- GAS MAIN
- EXISTING TREE REMOVAL
- COMBINATION CURB AND GUTTER REMOVAL
- CONCRETE SIDEWALK REMOVAL
- CONCRETE DRIVEWAY REMOVAL
- HMA PAVEMENT REMOVAL
- HMA SURFACE REMOVAL
- CLASS D PATCH
- LANDSCAPED PLANTINGS AREA
- DETECTABLE WARNINGS
- COMBINATION CONCRETE CURB & GUTTER, TYPE B-6.18
-
-
-



PROPOSED IMPROVEMENTS

NOTES

1. EXCAVATED SOIL AT THIS LOCATION SHALL BE MANAGED OFF-SITE AS A NON-SPECIAL WASTE.
2. PROPOSED STORM SEWER CONNECTION TO EXISTING STORM SEWER AND DRAINAGE STRUCTURES SHALL BE INCLUDED IN THE COST OF VARIOUS STORM SEWER INSTALLATION.
3. PROPOSED DRAINAGE STRUCTURE CONNECTIONS TO EXISTING STORM SEWER SHALL BE INCLUDED IN THE COST OF VARIOUS DRAINAGE STRUCTURE INSTALLATION.

FILE NAME = 13290-PLAN-01 - D01

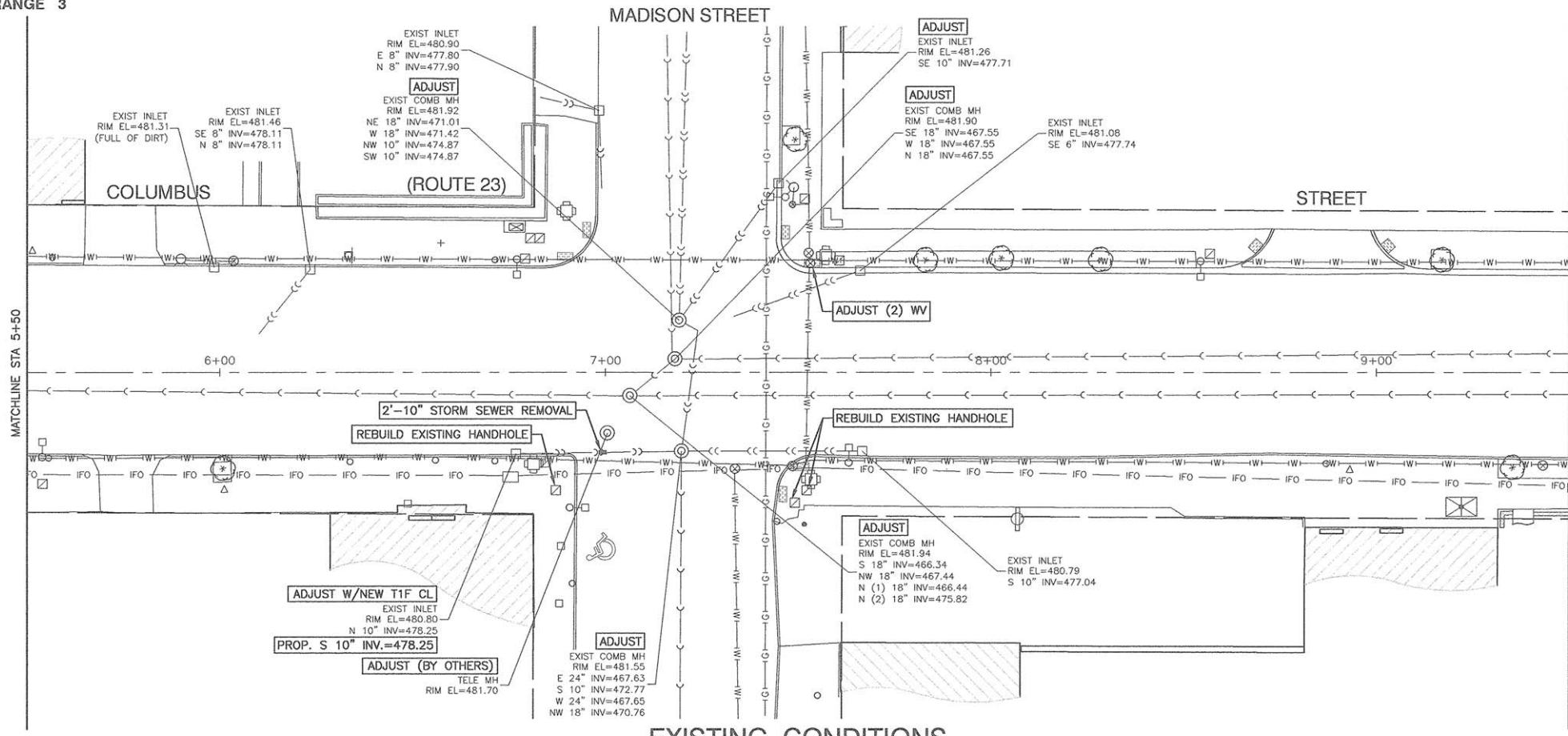
USER NAME =	DESIGNED -- JRA/WPD	REVISED --
	CHECKED -- PKB	REVISED --
PLOT SCALE =	DRAWN -- JJB	REVISED --
PLOT DATE = 03-23-16	CHECKED -- ACAD	REVISED --

STATE OF ILLINOIS
DEPARTMENT OF TRANSPORTATION

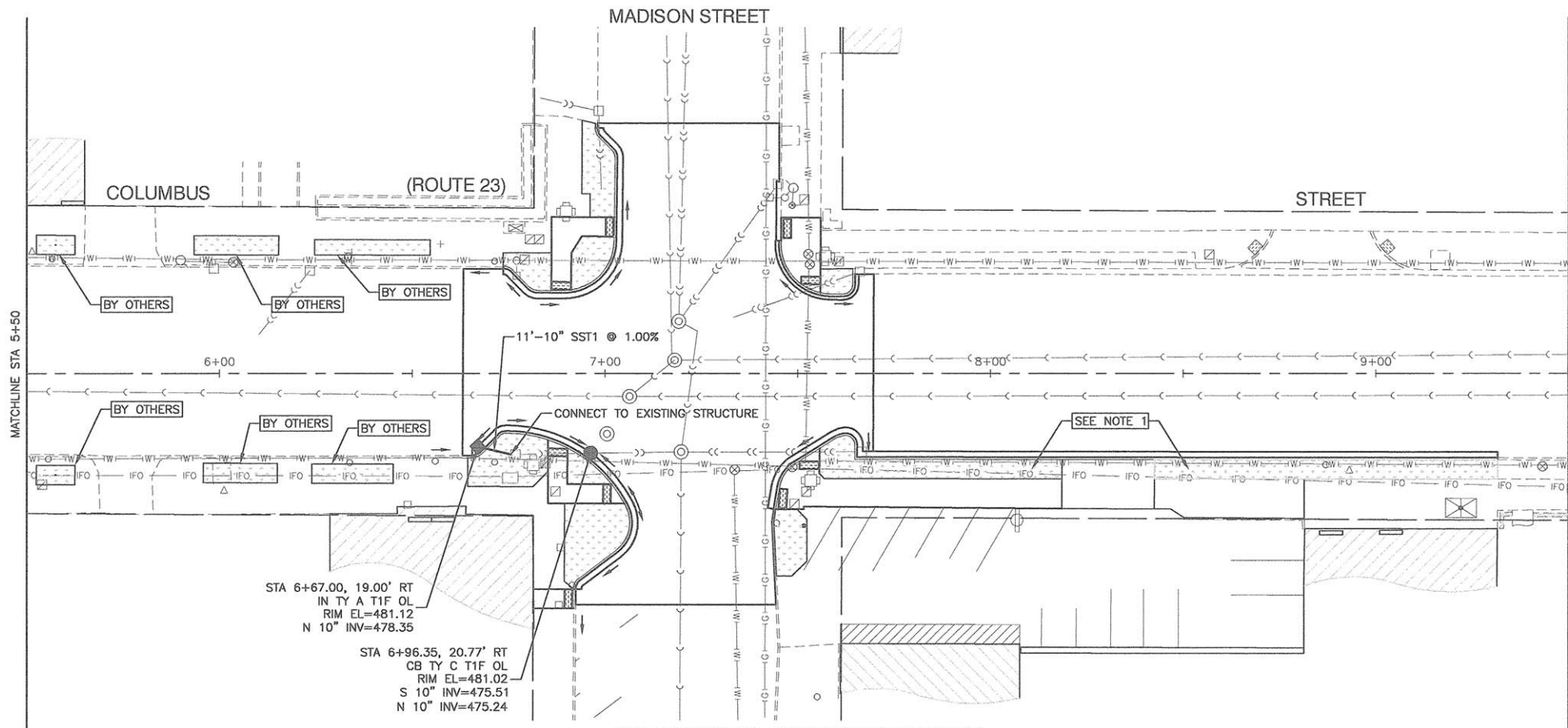
COLUMBUS STREET LIGHTING & BEAUTIFICATION
COLUMBUS STREET AT MAIN STREET
DRAINAGE AND UTILITIES

SCALE: 1" = 20' SHEET NO. 11 OF 28 SHEETS STA. 0+50 TO STA. 5+50

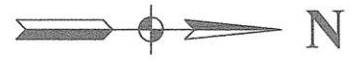
F.A.P. RTE	SECTION	COUNTY	TOTAL SHEETS	SHEET NO.
68	13-00167-00-LS	LASALLE	28	11
FED. ROAD DIST. NO. 3		ILLINOIS		FED. AID PROJECT TE-00D3(096)
CONTRACT NO. 87635				



EXISTING CONDITIONS



PROPOSED IMPROVEMENTS



LINE & SYMBOL LEGEND

- BUFFALO BOX
- FIRE HYDRANT
- VALVE
- VALVE BASIN
- SIGN
- INLET
- CATCH BASIN
- MANHOLE
- TRAFFIC SIGNAL
- ALUMINUM LIGHT POLE
- STEEL LIGHT POLE
- POWER POLE W/ LIGHT
- POWER POLE
- HANDHOLE
- DOUBLE HANDHOLE
- CONTROL CABINET
- TREE
- BUSH / HEDGE
- RIGHT OF WAY
- CHAIN LINK FENCE
- WOOD FENCE
- WROUGHT IRON FENCE
- STORM SEWER
- SANITARY SEWER
- WATER MAIN
- BURIED CABLE TV
- BURIED ELECTRIC
- BURIED TELEPHONE
- GAS MAIN
- EXISTING TREE REMOVAL
- COMBINATION CURB AND GUTTER REMOVAL
- CONCRETE SIDEWALK REMOVAL
- CONCRETE DRIVEWAY REMOVAL
- HMA PAVEMENT REMOVAL
- HMA SURFACE REMOVAL
- CLASS D PATCH
- LANDSCAPED PLANTINGS AREA
- DETECTABLE WARNINGS
- COMBINATION CONCRETE CURB & GUTTER, TYPE B-6.18
- HMA RESURFACING (3/4" LEVELING BINDER, 1-1/2" SURFACE COURSE)
- PCC SIDEWALK, 5"
- PCC DRIVEWAY, 7"

NOTES

1. EXCAVATED SOIL AT THIS LOCATION SHALL BE MANAGED OFF-SITE AS A NON-SPECIAL WASTE.
2. PROPOSED STORM SEWER CONNECTION TO EXISTING STORM SEWER AND DRAINAGE STRUCTURES SHALL BE INCLUDED IN THE COST OF VARIOUS STORM SEWER INSTALLATION.
3. PROPOSED DRAINAGE STRUCTURE CONNECTIONS TO EXISTING STORM SEWER SHALL BE INCLUDED IN THE COST OF VARIOUS DRAINAGE STRUCTURE INSTALLATION.

FILE NAME = 13290-PLAN-01 - D02

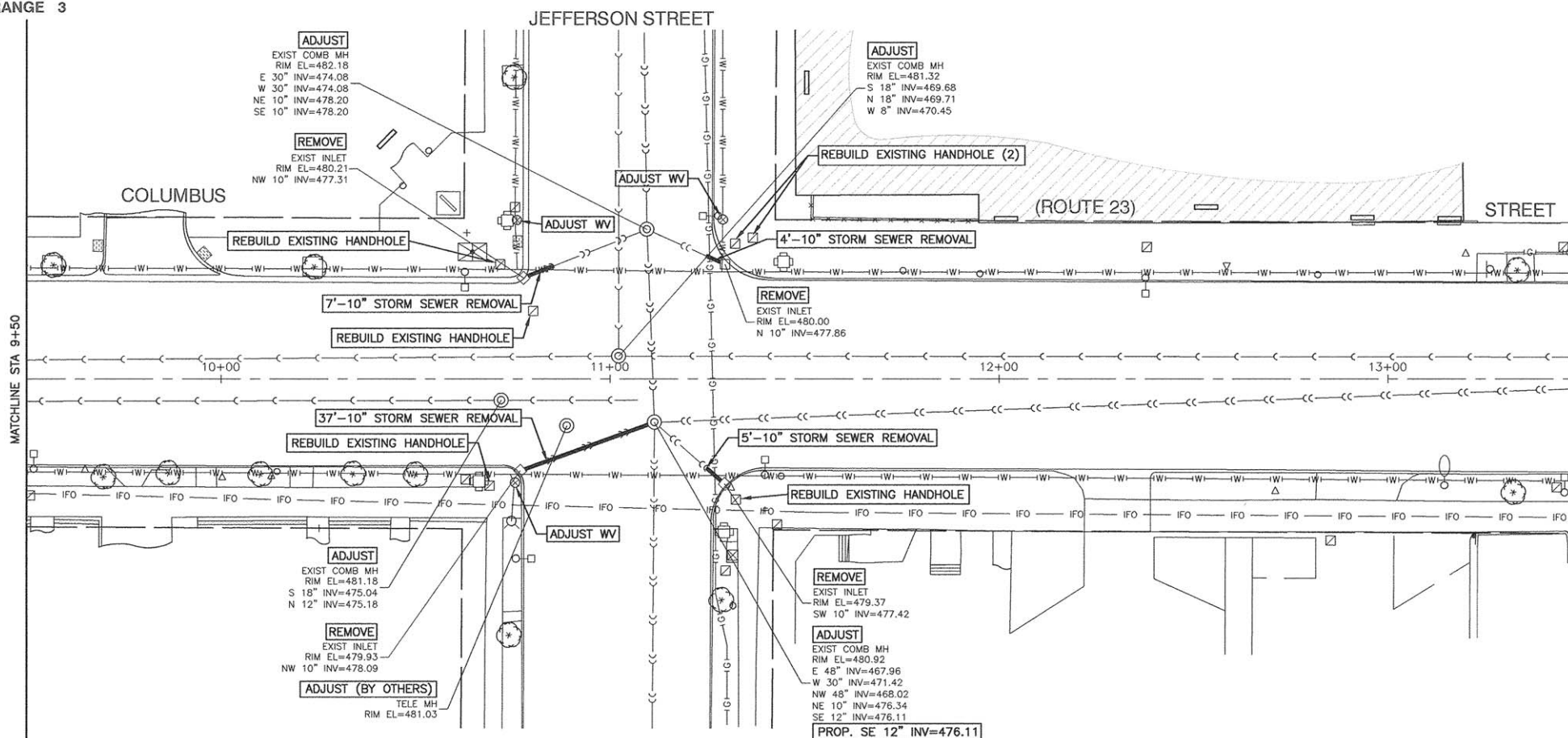
USER NAME =	DESIGNED -- JRA/WPD	REVISED --
PLOT SCALE =	CHECKED -- PKB	REVISED --
PLOT DATE = 03-23-16	DRAWN -- JJB	REVISED --
	CHECKED -- ACAD	REVISED --

STATE OF ILLINOIS
DEPARTMENT OF TRANSPORTATION

COLUMBUS STREET LIGHTING & BEAUTIFICATION
COLUMBUS STREET AT MADISON STREET
DRAINAGE AND UTILITIES

SCALE: 1"= 20' SHEET NO. 12 OF 28 SHEETS STA. 5+50 TO STA. 9+50

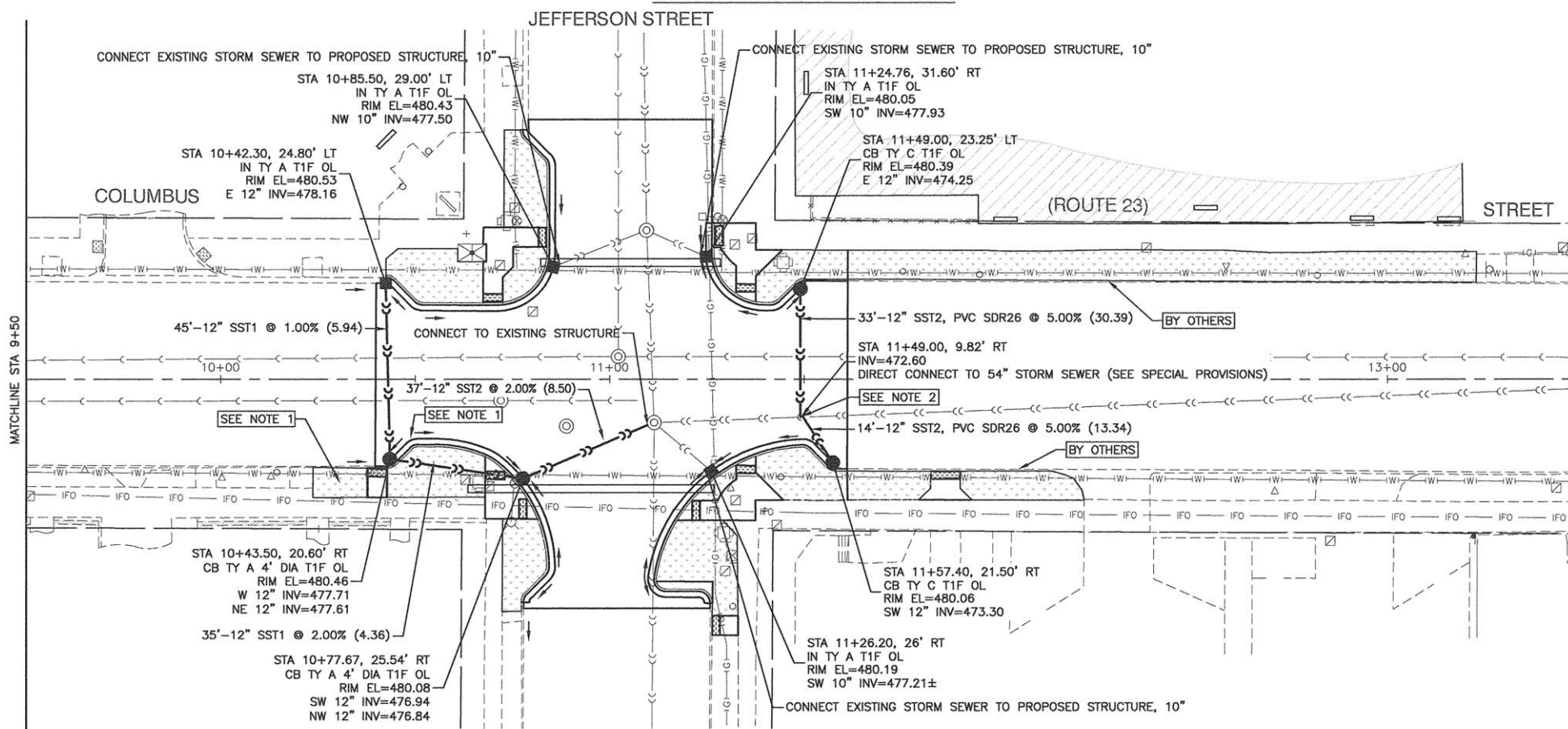
F.A.P. RTE.	SECTION	COUNTY	TOTAL SHEETS	SHEET NO.
68	13-00167-00-LS	LASALLE	28	12
CONTRACT NO. 87635				
FED. ROAD DIST. NO. 3 ILLINOIS FED. AID PROJECT TE-00D3(096)				



EXISTING CONDITIONS

LINE & SYMBOL LEGEND

- BUFFALO BOX
- FIRE HYDRANT
- VALVE
- VALVE BASIN
- SIGN
- INLET
- CATCH BASIN
- MANHOLE
- TRAFFIC SIGNAL
- ALUMINUM LIGHT POLE
- STEEL LIGHT POLE
- POWER POLE W/ LIGHT
- POWER POLE
- HANDHOLE
- DOUBLE HANDHOLE
- CONTROL CABINET
- TREE
- BUSH / HEDGE
- RIGHT OF WAY
- CHAIN LINK FENCE
- WOOD FENCE
- WROUGHT IRON FENCE
- STORM SEWER
- SANITARY SEWER
- WATER MAIN
- BURIED CABLE TV
- BURIED ELECTRIC
- BURIED TELEPHONE
- GAS MAIN
- EXISTING TREE REMOVAL
- COMBINATION CURB AND GUTTER REMOVAL
- CONCRETE SIDEWALK REMOVAL
- CONCRETE DRIVEWAY REMOVAL
- HMA PAVEMENT REMOVAL
- HMA SURFACE REMOVAL
- CLASS D PATCH
- LANDSCAPED PLANTINGS AREA
- DETECTABLE WARNINGS
- COMBINATION CONCRETE CURB & GUTTER, TYPE B-6.1B
-
-
-



PROPOSED IMPROVEMENTS

NOTES

1. EXCAVATED SOIL AT THIS LOCATION SHALL BE MANAGED OFF-SITE AS A NON-SPECIAL WASTE.
2. PROPOSED STORM SEWER CONNECTION TO EXISTING STORM SEWER AND DRAINAGE STRUCTURES SHALL BE INCLUDED IN THE COST OF VARIOUS STORM SEWER INSTALLATION.
3. PROPOSED DRAINAGE STRUCTURE CONNECTIONS TO EXISTING STORM SEWER SHALL BE INCLUDED IN THE COST OF VARIOUS DRAINAGE STRUCTURE INSTALLATION.

FILE NAME = 13290-PLAN-01 - D03

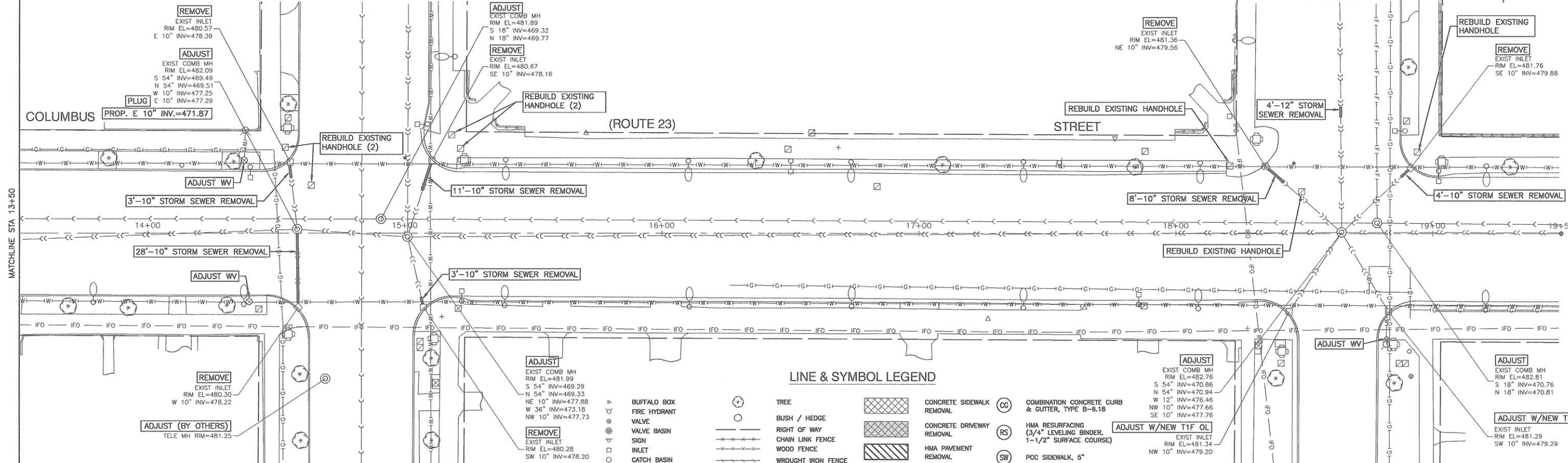
USER NAME =	DESIGNED -- JRA/WPD	REVISED --
CHECKED -- PKB	REVISIONS --	
PLOT SCALE =	DRAWN -- JJB	REVISED --
PLOT DATE = 03-23-16	CHECKED -- ACAD	REVISED --

STATE OF ILLINOIS
DEPARTMENT OF TRANSPORTATION

COLUMBUS STREET LIGHTING & BEAUTIFICATION
COLUMBUS STREET AT JEFFERSON STREET
DRAINAGE AND UTILITIES

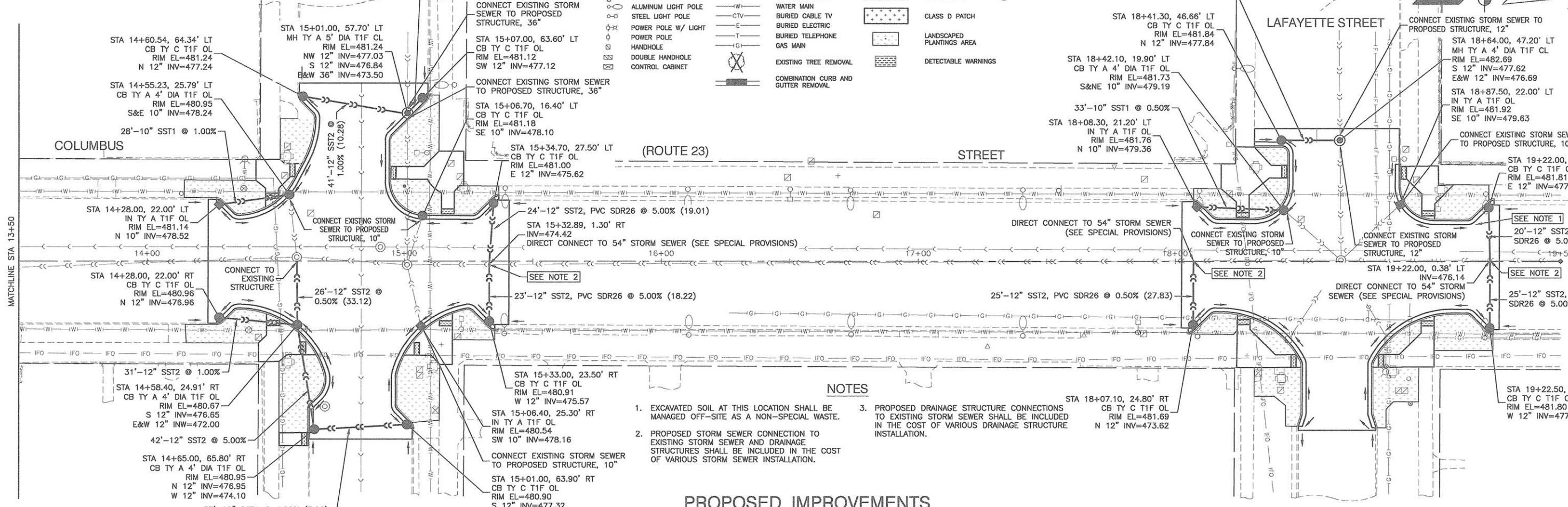
SCALE: 1" = 20' SHEET NO. 13 OF 28 SHEETS STA. 9+50 TO STA. 13+50

F.A.P. RTE.	SECTION	COUNTY	TOTAL SHEETS	SHEET NO.
68	13-00167-00-LS	LASALLE	28	13
CONTRACT NO. 87635				
FED. ROAD DIST. NO. 3 ILLINOIS FED. AID PROJECT TE-00D3(096)				



LINE & SYMBOL LEGEND

- ▲ BUFFALO BOX
- FIRE HYDRANT
- VALVE BASIN
- SIGN
- INLET
- CATCH BASIN
- MANHOLE
- TRAFFIC SIGNAL
- ALUMINUM LIGHT POLE
- STEEL LIGHT POLE
- POWER POLE W/ LIGHT
- POWER POLE
- HANDHOLE
- DOUBLE HANDHOLE
- CONTROL CABINET
- TREE
- BUSH / HEDGE
- CHAIN LINK FENCE
- WOOD FENCE
- WROUGHT IRON FENCE
- STORM SEWER
- SANITARY SEWER
- BURIED CABLE TV
- BURIED ELECTRIC
- BURIED TELEPHONE
- GAS MAIN
- EXISTING TREE REMOVAL
- GUTTER CURB AND GUTTER REMOVAL
- CG CONCRETE SIDEWALK REMOVAL
- RS CONCRETE DRIVEWAY REMOVAL
- SW HMA PAVEMENT REMOVAL
- SI HMA PAVEMENT RESURFACING
- CG COMBINATION CONCRETE CURB & GUTTER, TYPE B-6.18
- RS HMA RESURFACING (3/4" LEVELING BINDER, 1-1/2" SURFACE COURSE)
- SW PCC SIDEWALK, 5"
- SI PCC DRIVEWAY, 7"
- CLASS D PATCH
- LANDSCAPED PLANTINGS AREA
- DETECTABLE WARNINGS



NOTES

1. EXCAVATED SOIL AT THIS LOCATION SHALL BE MANAGED OFF-SITE AS A NON-SPECIAL WASTE.
2. PROPOSED STORM SEWER CONNECTION TO EXISTING STORM SEWER AND DRAINAGE STRUCTURES SHALL BE INCLUDED IN THE COST OF VARIOUS STORM SEWER INSTALLATION.
3. PROPOSED DRAINAGE STRUCTURE CONNECTIONS TO EXISTING STORM SEWER SHALL BE INCLUDED IN THE COST OF VARIOUS DRAINAGE STRUCTURE INSTALLATION.

PROPOSED IMPROVEMENTS

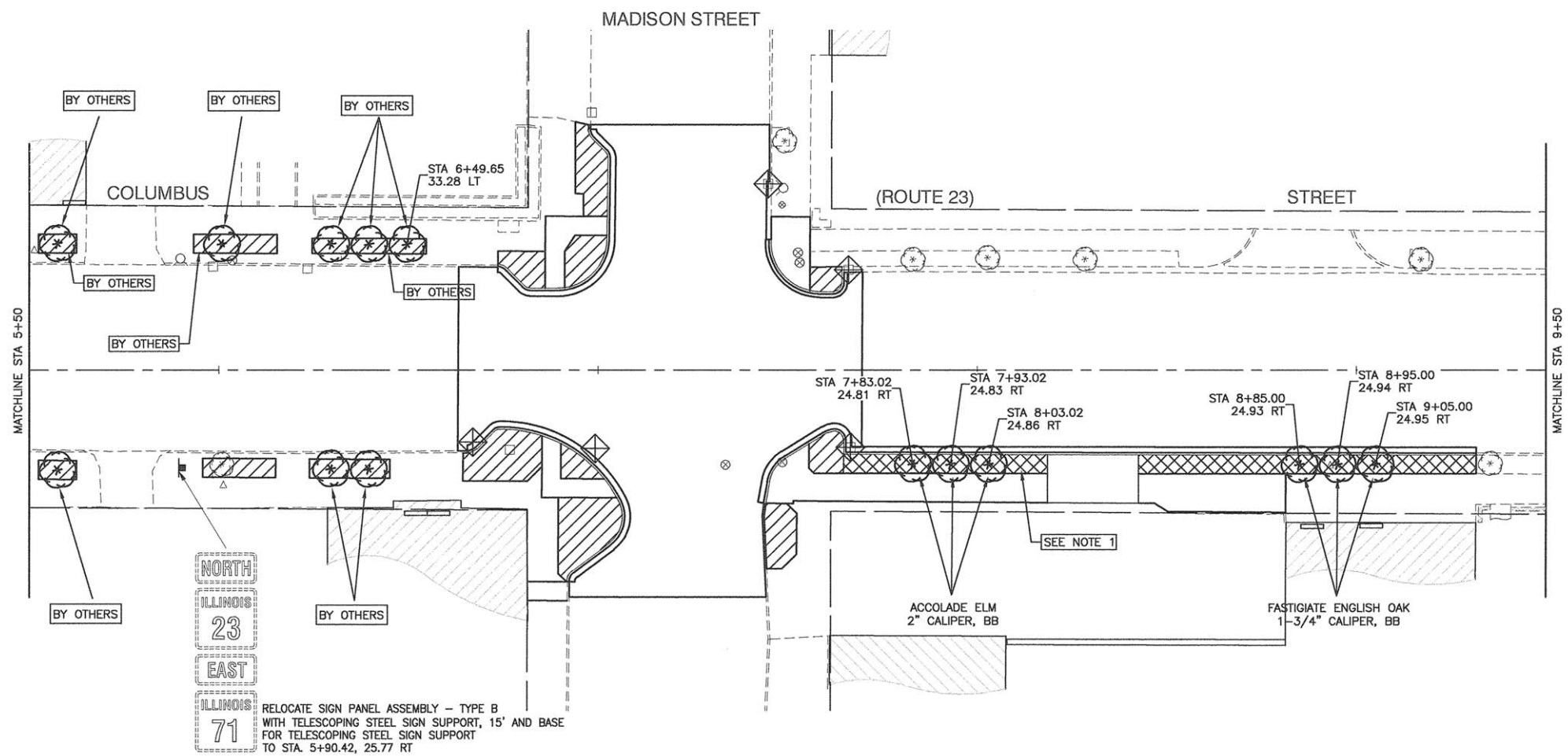
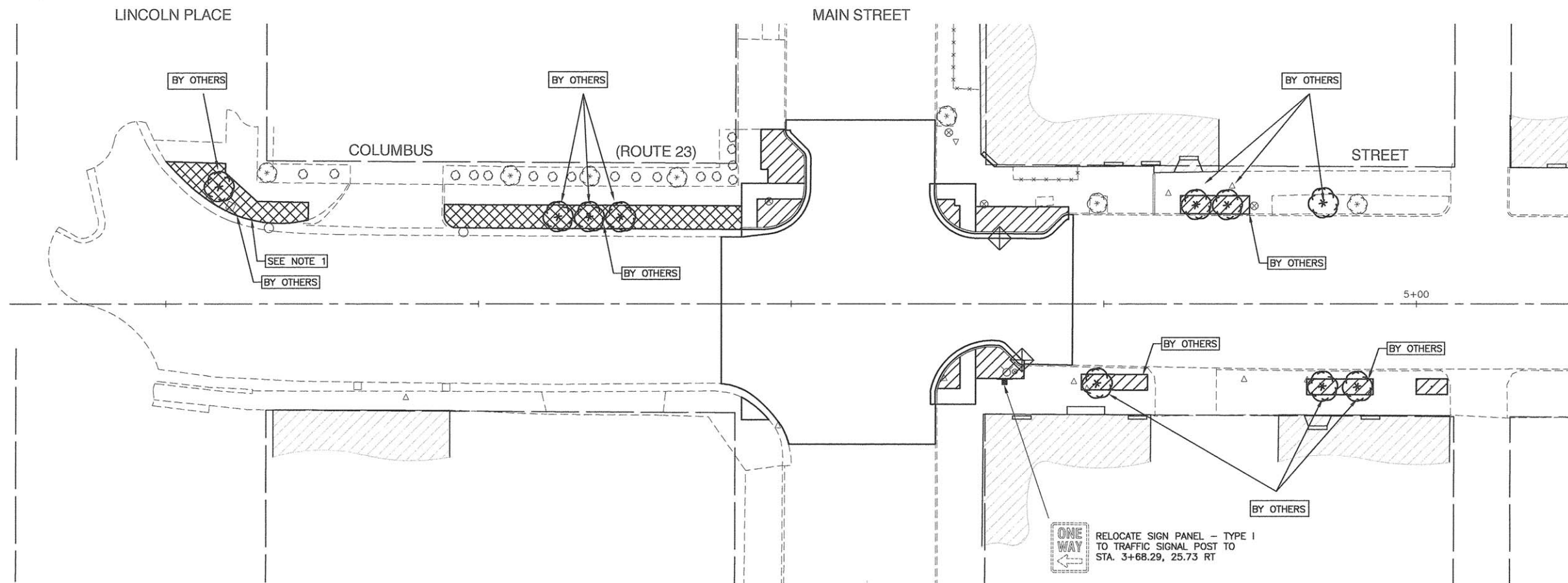
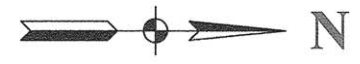
STATE OF ILLINOIS
DEPARTMENT OF TRANSPORTATION

COLUMBUS STREET LIGHTING & BEAUTIFICATION
COLUMBUS STREET AT JACKSON STREET/LAFAYETTE STREET
DRAINAGE AND UTILITIES

FILE NAME = 13290-PLAN-01 - D04
USER NAME =
PLOT SCALE =
PLOT DATE = 03-23-16

DESIGNED -- JRA/WPD	REVISED --
CHECKED -- PKB	REVISED --
DRAWN -- JJB	REVISED --
CHECKED -- ACAD	REVISED --

F.A.P. RTE. 68	SECTION 13-00167-00-LS	COUNTY LASALLE	TOTAL SHEETS 28	SHEET NO. 14
SCALE: 1"=20'				
SHEET NO. 14 OF 28 SHEETS		STA. 13+50 TO STA. 19+50		FED. ROAD DIST. NO. 3 ILLINOIS
CONTRACT NO. 87635				
FED. AID PROJECT TE-00D3(096)				



Location	1	2	3
	Earth Excavation	Non-Special Waste Disposal	
	Cubic Yard	Cubic Yard	
Sta. 0+50 to Sta. 5+50	0		9
Sta. 5+50 to Sta. 9+50	13		13
Sta. 9+50 to Sta. 13+50	12		37
Sta. 13+50 to Sta. 19+50			9
Total	25		68

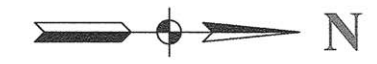
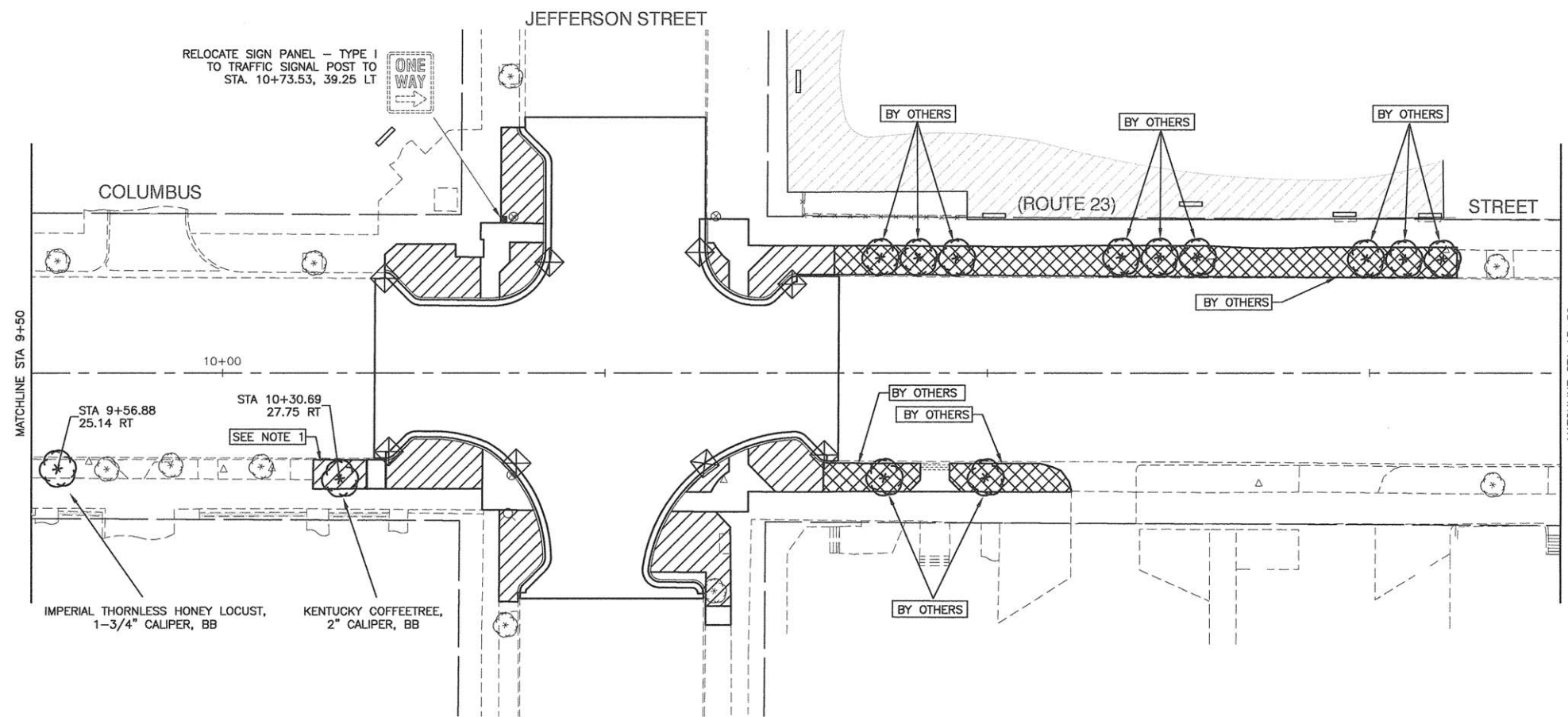
NOTES

- EXCAVATED SOIL AT THIS LOCATION SHALL BE MANAGED OFF-SITE AS A NON-SPECIAL WASTE.
- PULVERIZED TOPSOIL SHALL BE USED IN THE SODDING AND SOIL MIX SPECIFIED IN THE SPECIAL PROVISIONS SHALL BE USED IN THE LANDSCAPE PLANTINGS AREA.

LEGEND

- INLET FILTER
- PROPOSED TREE
- TOPSOIL (9" OR 24") AND SODDING AREA (SEE SPECIAL PROVISIONS)
- LANDSCAPE PLANTINGS AREA (TOPSOIL, 9", 12", 24") (SEE SPECIAL PROVISIONS)

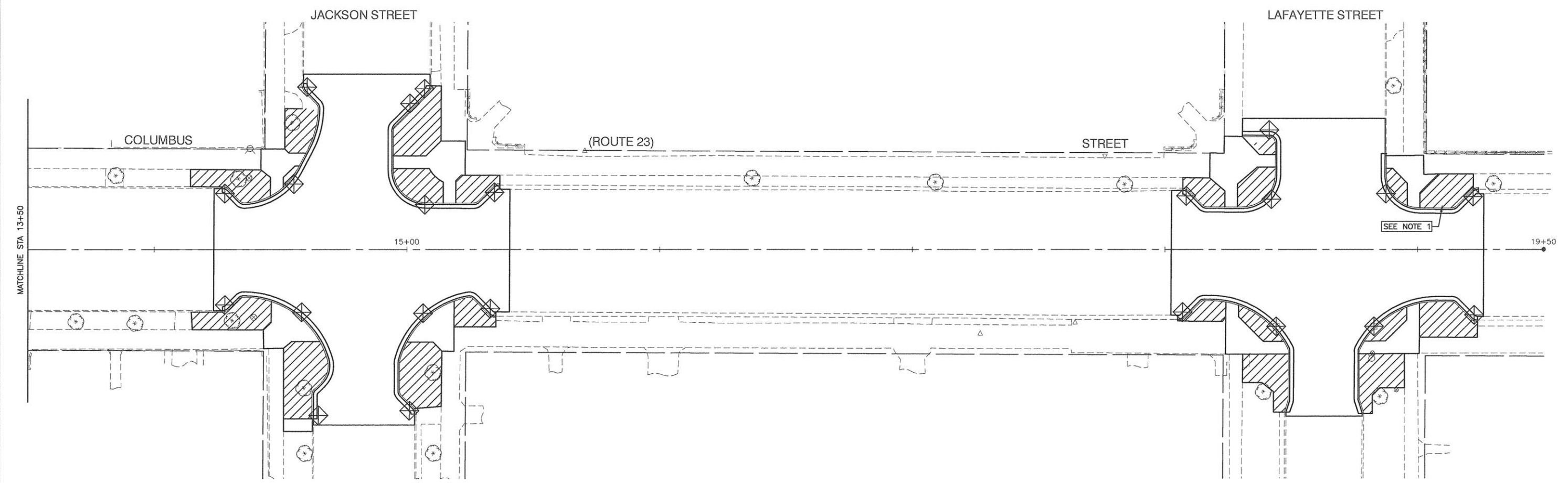
RELOCATE SIGN PANEL ASSEMBLY - TYPE B WITH TELESCOPING STEEL SIGN SUPPORT, 15' AND BASE FOR TELESCOPING STEEL SIGN SUPPORT TO STA. 5+90.42, 25.77 RT



Location	1	2	3
	Earth Excavation	Non-Special Waste Disposal	
	Cubic Yard	Cubic Yard	
Sta. 0+50 to Sta. 5+50	0		9
Sta. 5+50 to Sta. 9+50	15		13
Sta. 9+50 to Sta. 13+50	12		37
Sta. 13+50 to Sta. 19+50			9
Total	25		68

- NOTES**
- EXCAVATED SOIL AT THIS LOCATION SHALL BE MANAGED OFF-SITE AS A NON-SPECIAL WASTE.
 - PULVERIZED TOPSOIL SHALL BE USED IN THE SODDING AND SOIL MIX SPECIFIED IN THE SPECIAL PROVISIONS SHALL BE USED IN THE LANDSCAPE PLANTINGS AREA.

- LEGEND**
- INLET FILTER
 - PROPOSED TREE
 - TOPSOIL (9" OR 24") AND SODDING AREA (SEE SPECIAL PROVISIONS)
 - LANDSCAPE PLANTINGS AREA (TOPSOIL, 9", 12", 24") (SEE SPECIAL PROVISIONS)



FILE NAME = 13290-LNSC-01 - P02
 USER NAME =
 PLOT SCALE =
 PLOT DATE = 03-23-16

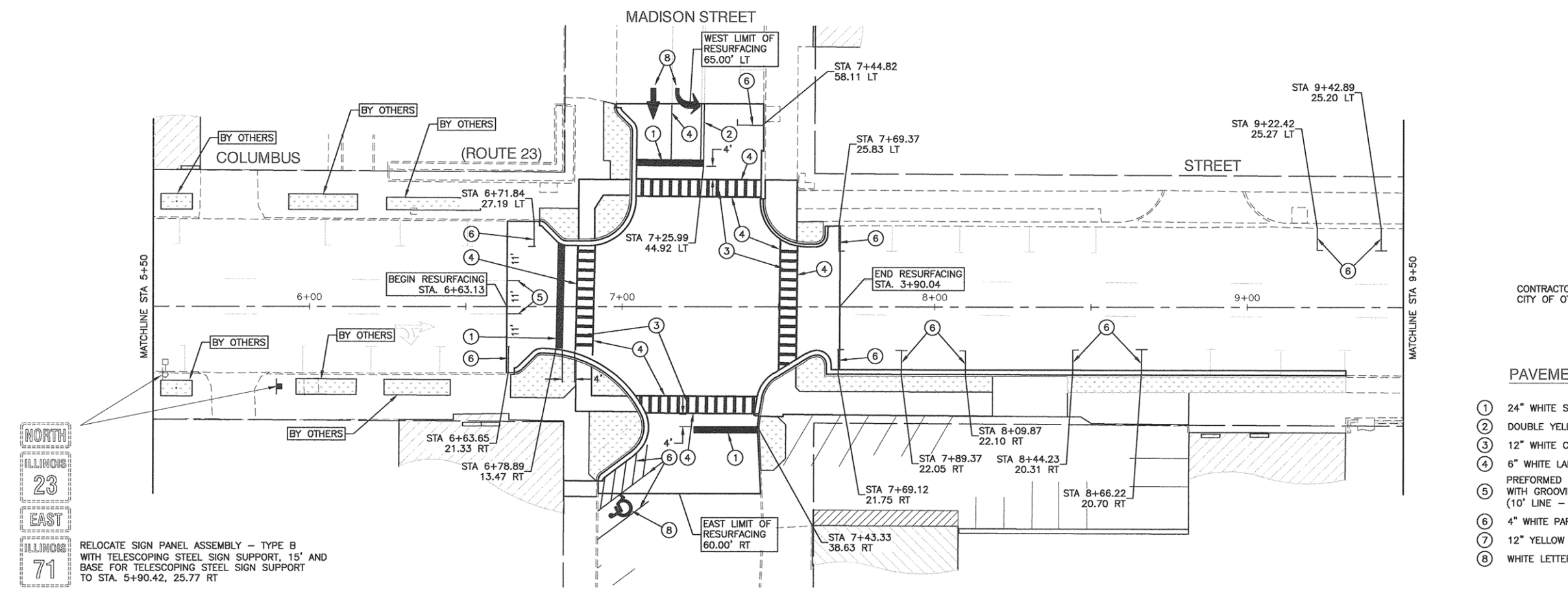
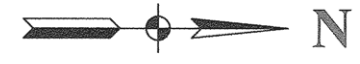
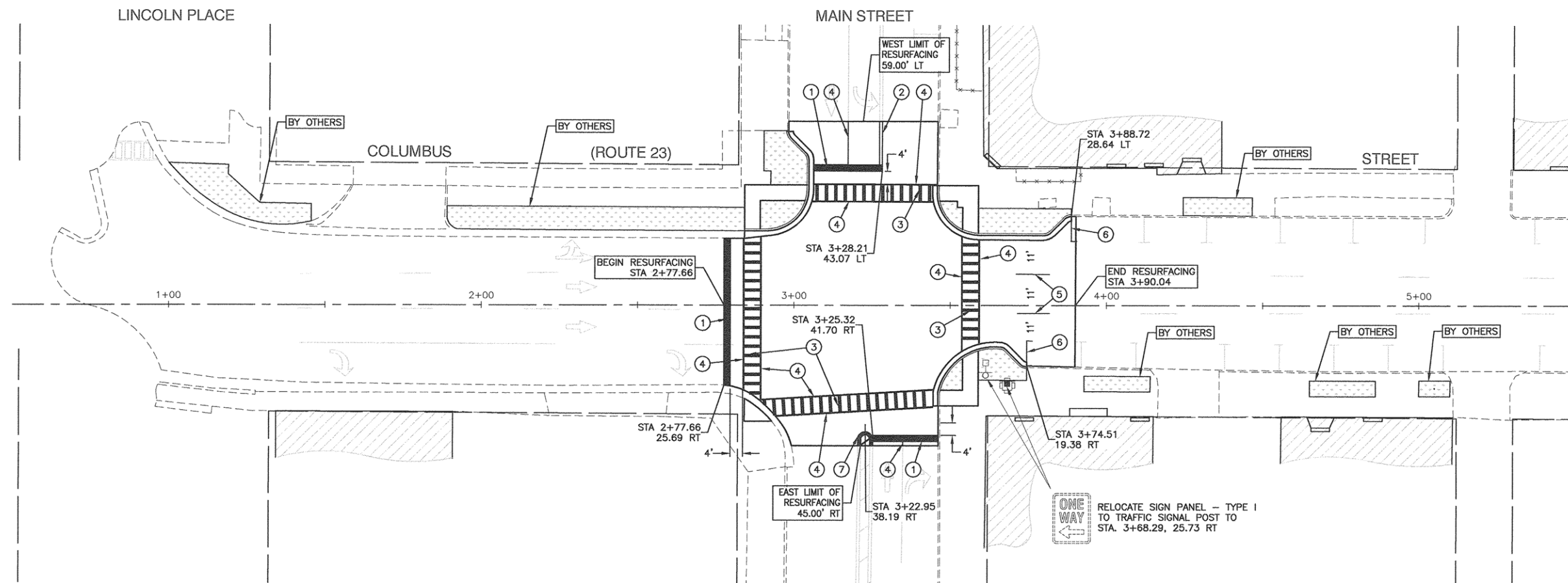
DESIGNED — JRA/WPD	REVISIONS
CHECKED — PKB	REVISIONS
DRAWN — JJB/KWM	REVISIONS
CHECKED — APG	REVISIONS

**STATE OF ILLINOIS
 DEPARTMENT OF TRANSPORTATION**

**COLUMBUS STREET LIGHTING & BEAUTIFICATION
 COLUMBUS STREET AT JEFFERSON STREET/JACKSON STREET/LAFAYETTE STREET
 LANDSCAPING PLAN**

F.A.P. RTE. 68	SECTION 13-00167-00-LS	COUNTY LASALLE	TOTAL SHEETS 28	SHEET NO. 16
CONTRACT NO. 87635			FED. ROAD DIST. NO. 3 ILLINOIS FED. AID PROJECT TE-00D3(096)	

SCALE: 1"= 20' SHEET NO. 16 OF 28 SHEETS STA. 9+50 TO STA. 19+50



NOTE:
CONTRACTOR SHALL COORDINATE WITH THE CITY OF OTTAWA TO RELOCATED ANY SIGNS.

PAVEMENT MARKING LEGEND

- ① 24" WHITE STOP BAR
- ② DOUBLE YELLOW MEDIAN OUTLINE (11" C/C)
- ③ 12" WHITE CROSSWALK LINE (3' C/C)
- ④ 6" WHITE LANE LINE
- ⑤ PREFORMED PLASTIC PAVEMENT MARKING, TYPE B - LINE 6" WITH GROOVING FOR RECESSED PAVEMENT MARKING, 6" (10' LINE - 30' SPACE)
- ⑥ 4" WHITE PARKING LINE
- ⑦ 12" YELLOW MEDIAN LINE
- ⑧ WHITE LETTERS & SYMBOLS



RELOCATE SIGN PANEL ASSEMBLY - TYPE B WITH TELESCOPING STEEL SIGN SUPPORT, 15' AND BASE FOR TELESCOPING STEEL SIGN SUPPORT TO STA. 5+90.42, 25.77 RT

FILE NAME = 13290-PMKG-01 - P01

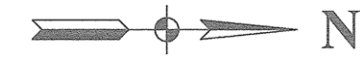
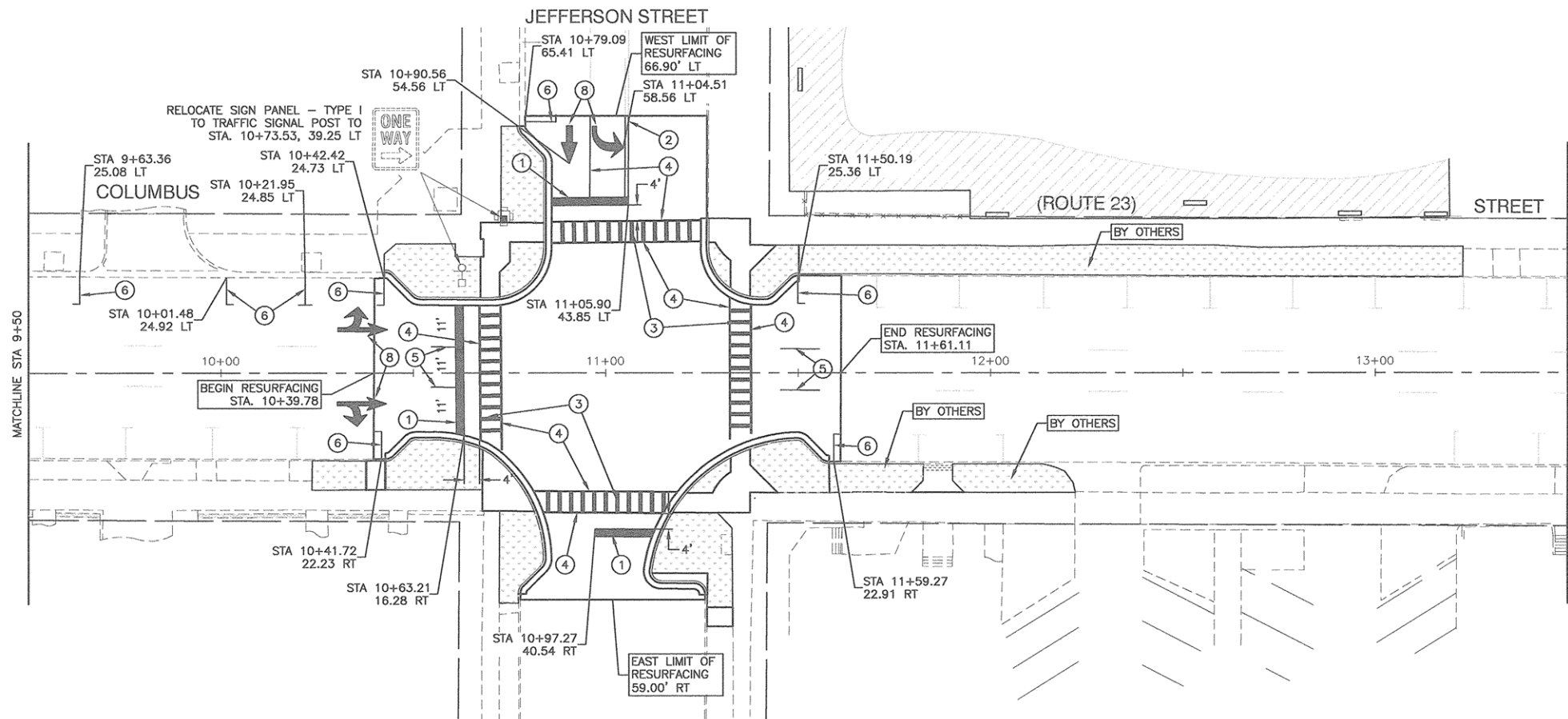
USER NAME =	DESIGNED - JRA/WPD	REVISED -
PLOT SCALE =	CHECKED - PKB	REVISED -
PLOT DATE = 03-23-16	DRAWN - JJB/KWM	REVISED -
	CHECKED - APG	REVISED -

**STATE OF ILLINOIS
DEPARTMENT OF TRANSPORTATION**

**COLUMBUS STREET LIGHTING & BEAUTIFICATION
COLUMBUS STREET AT MAIN STREET/MADISON STREET
PAVEMENT MARKING**

SCALE: 1"= 20' SHEET NO. 17 OF 28 SHEETS STA. 0+50 TO STA. 9+50

F.A.P. RTE. 68	SECTION 13-00167-00-LS	COUNTY LASALLE	TOTAL SHEETS 28	SHEET NO. 17
FED. ROAD DIST. NO. 3 ILLINOIS FED. AID PROJECT TE-00D3(096)				

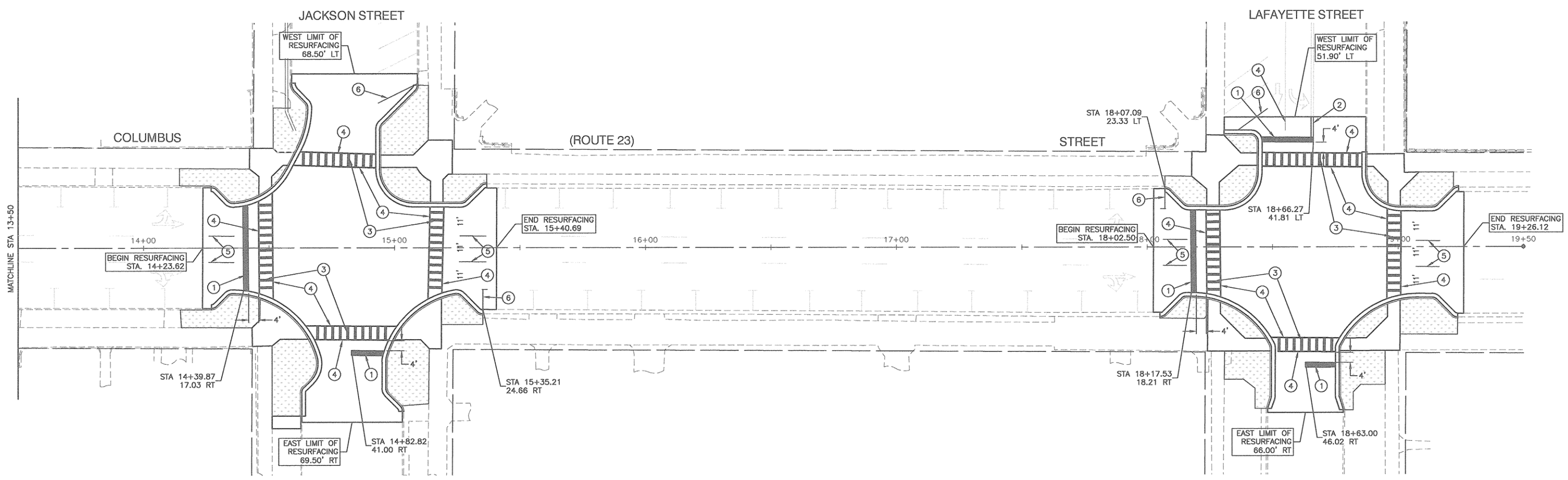


NOTE:

CONTRACTOR SHALL COORDINATE WITH THE CITY OF OTTAWA TO RELOCATED ANY SIGNS.

PAVEMENT MARKING LEGEND

- ① 24" WHITE STOP BAR
- ② DOUBLE YELLOW MEDIAN OUTLINE (11" C/C)
- ③ 12" WHITE CROSSWALK LINE (3' C/C)
- ④ 6" WHITE LANE LINE
- ⑤ PREFORMED PLASTIC PAVEMENT MARKING, TYPE B - LINE 6" WITH GROOVING FOR RECESSED PAVEMENT MARKING, 6" (10" LINE - 30" SPACE)
- ⑥ 4" WHITE PARKING LINE
- ⑦ 12" YELLOW MEDIAN LINE
- ⑧ WHITE LETTERS & SYMBOLS



FILE NAME = 13290-PMKG-01 - P02

USER NAME =	DESIGNED - JRA/WPD	REVISED -
PLOT SCALE =	CHECKED - PKB	REVISED -
PLOT DATE = 03-23-16	DRAWN - JJB/KWM	REVISED -
	CHECKED - APG	REVISED -

**STATE OF ILLINOIS
DEPARTMENT OF TRANSPORTATION**

**COLUMBUS STREET LIGHTING & BEAUTIFICATION
COLUMBUS STREET AT JEFFERSON STREET/JACKSON STREET/LAFAYETTE STREET
PAVEMENT MARKING**

SCALE: 1"= 20' SHEET NO. 18 OF 28 SHEETS STA. TO STA.

F.A.P. RTE.	SECTION	COUNTY	TOTAL SHEETS	SHEET NO.
68	13-00167-00-LS	LASALLE	28	18
CONTRACT NO. 87635				
FED. ROAD DIST. NO. 3 ILLINOIS FED. AID PROJECT TE-00D3(096)				

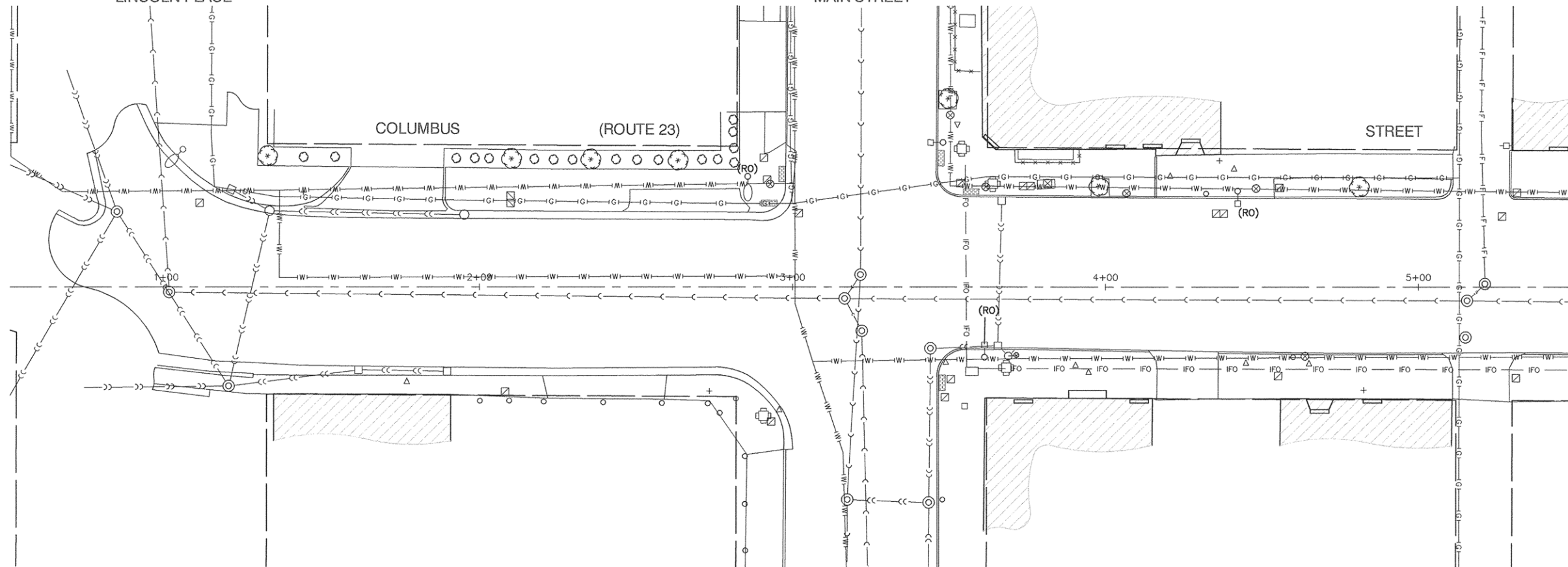
LINCOLN PLACE

MAIN STREET

COLUMBUS

(ROUTE 23)

STREET



EXISTING CONDITIONS

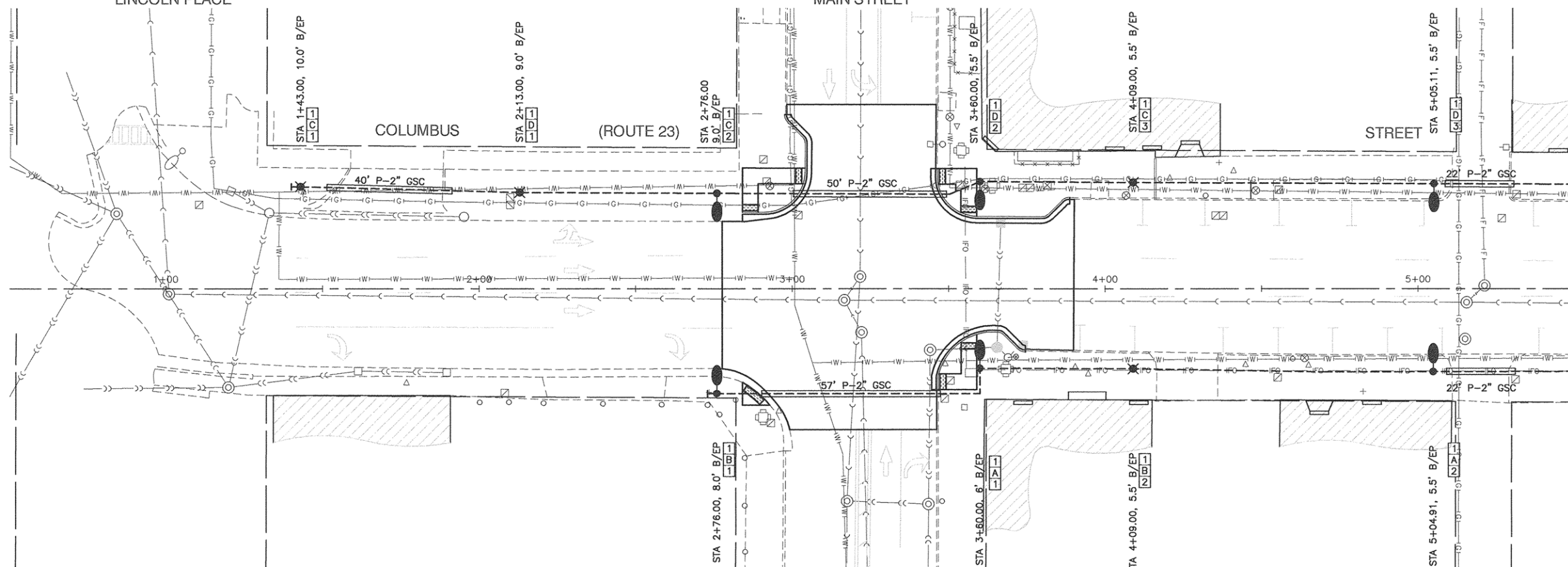
LINCOLN PLACE

MAIN STREET

COLUMBUS

(ROUTE 23)

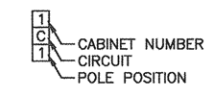
STREET



PROPOSED IMPROVEMENTS

- LEGEND:**
- EXISTING STREET LIGHT
 - EXISTING STREET LIGHT
 - ⊗ PROPOSED LIGHTS, PEDESTRIAN
 - PROPOSED LIGHTING UNIT A, COMPLETE
 - PROPOSED CONTROL CABINET
 - CAPPED RACEWAY FOR FUTURE EXPANSION
 - UNDERGROUND CONDUIT, GALVANIZED STEEL (GSC)
 - UNIT DUCT, 3-1/C, NO.4 AWG AND 1/C NO.6 GROUND, 600V IN 1-1/4" DUCT
 - (RO) REMOVAL OF EXISTING STREET LIGHT BY OTHERS
 - B/EP BEHIND EXISTING EDGE OF PAVEMENT

POLE IDENTIFICATION



FILE NAME = 13290-LGHT-01 - P01

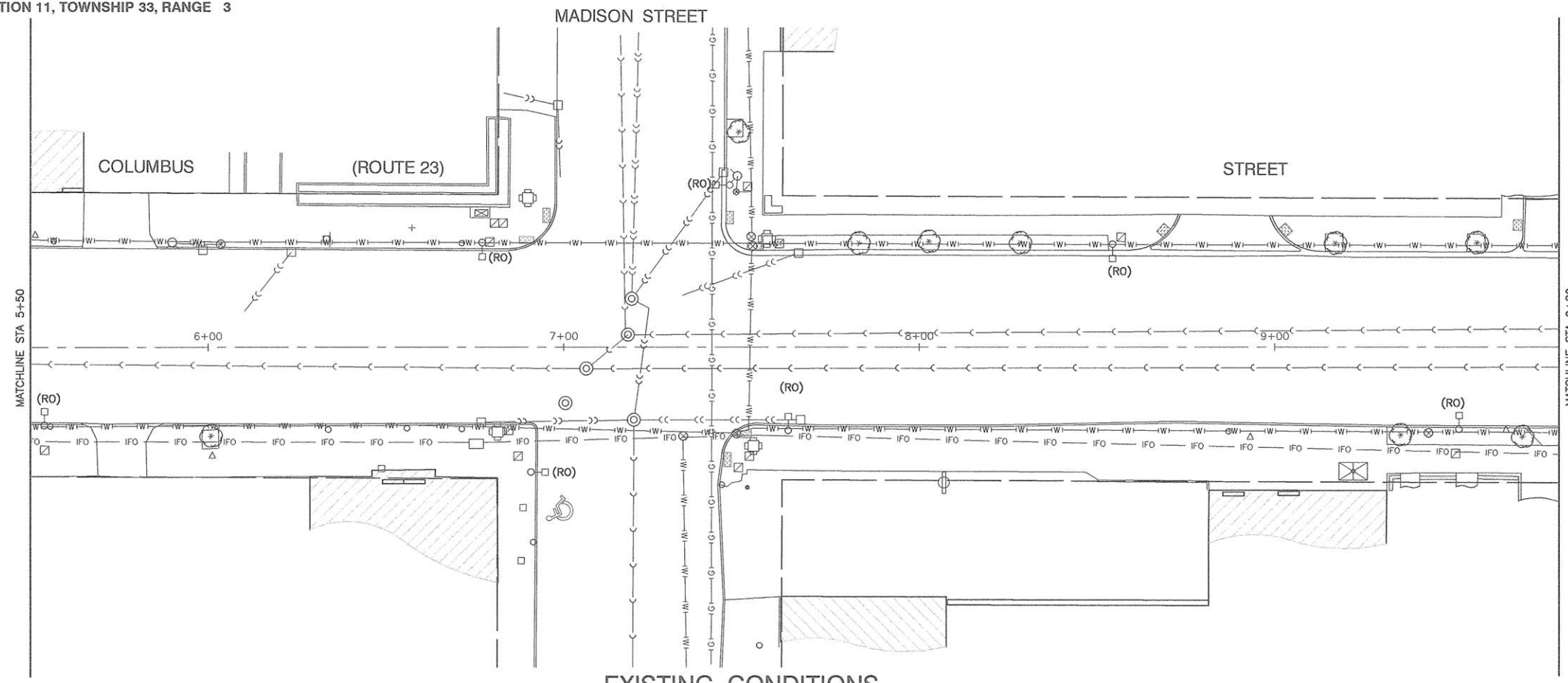
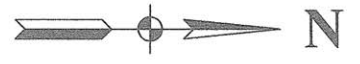
USER NAME =	DESIGNED — JRA/WPD	REVISED —
	CHECKED — PKB	REVISED —
PLOT SCALE =	DRAWN — JJB	REVISED —
PLOT DATE = 03-23-16	CHECKED — ACAD	REVISED —

STATE OF ILLINOIS
DEPARTMENT OF TRANSPORTATION

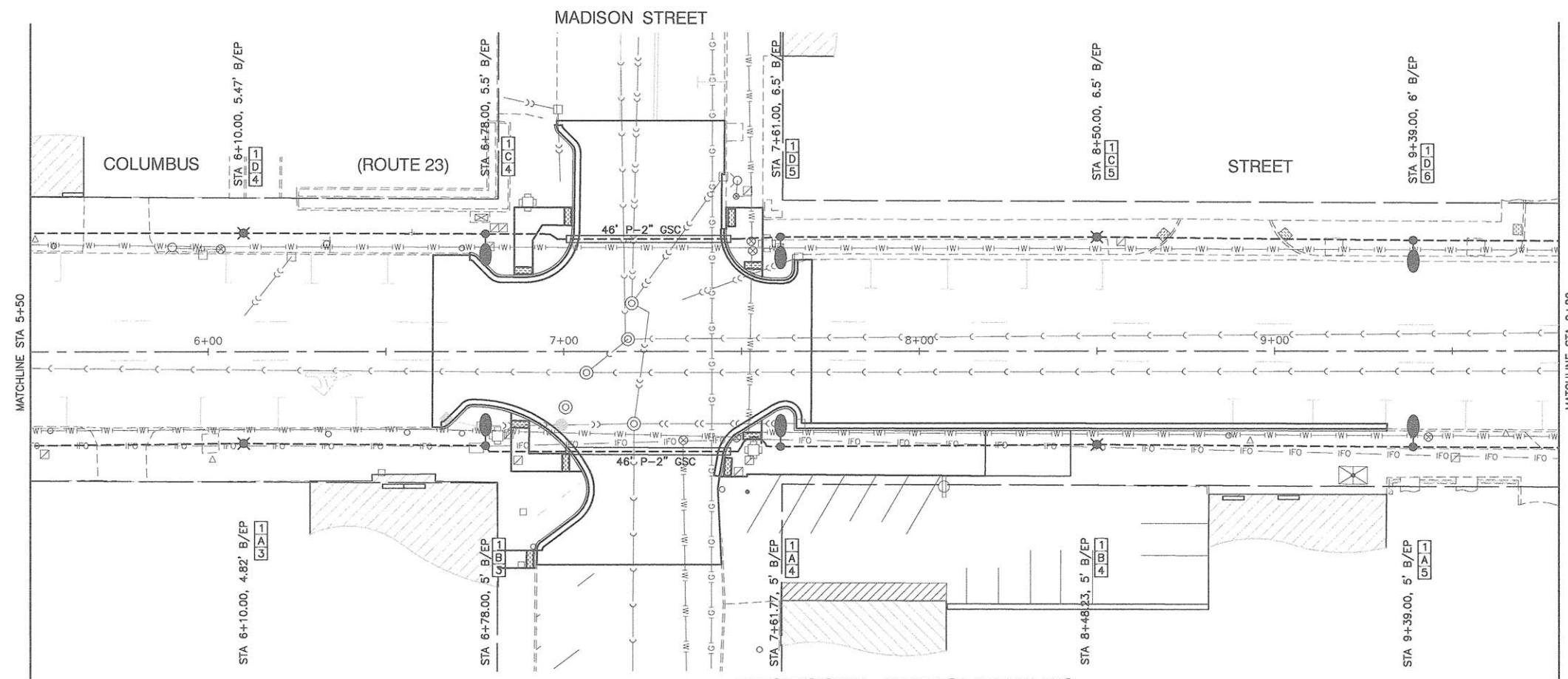
COLUMBUS STREET LIGHTING & BEAUTIFICATION
COLUMBUS STREET AT MAIN STREET
STREET LIGHTING

SCALE: 1" = 20' SHEET NO. 19 OF 28 SHEETS STA. TO STA.

F.A.P. RTE. 68	SECTION 13-00167-00-LS	COUNTY LASALLE	TOTAL SHEETS 28	SHEET NO. 19
CONTRACT NO. 87635				
FED. ROAD DIST. NO. 3 ILLINOIS FED. AID PROJECT TE-00D3(096)				



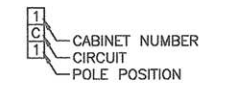
EXISTING CONDITIONS



PROPOSED IMPROVEMENTS

- LEGEND:**
- EXISTING STREET LIGHT
 - □ EXISTING STREET LIGHT
 - ⊗ PROPOSED LIGHTS, PEDESTRIAN
 - PROPOSED LIGHTING UNIT A, COMPLETE
 - ⊠ PROPOSED CONTROL CABINET
 - +— CAPPED RACEWAY FOR FUTURE EXPANSION
 - G— UNDERGROUND CONDUIT, GALVANIZED STEEL (GSC)
 - U— UNIT DUCT, 3-1/C, NO.4 AWG AND 1/C NO.6 GROUND, 600V IN 1-1/4" DUCT
 - (RO) REMOVAL OF EXISTING STREET LIGHT BY OTHERS
 - B/EP BEHIND EXISTING EDGE OF PAVEMENT

POLE IDENTIFICATION



FILE NAME = 13290-LGHT-01 - P02

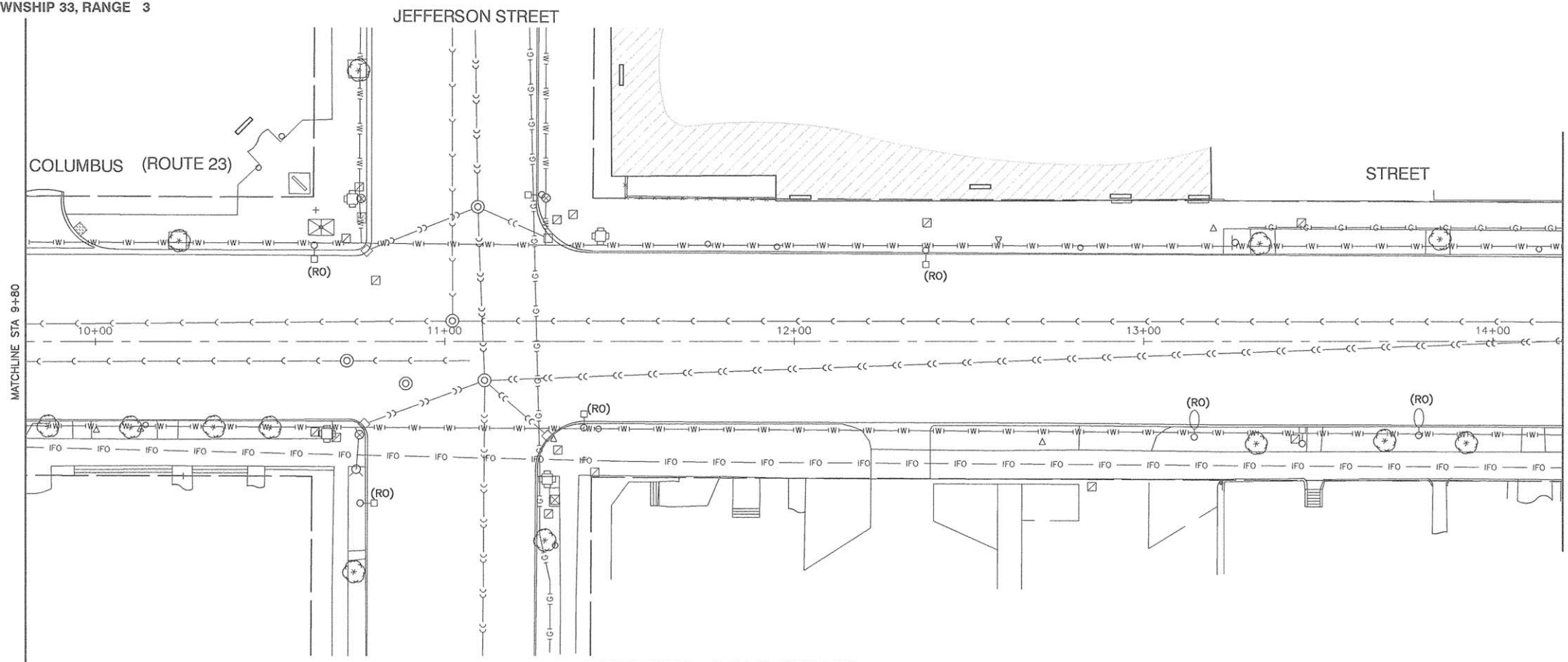
USER NAME =	DESIGNED - JRA/WPD	REVISED -
PLOT SCALE =	CHECKED - PKB	REVISED -
PLOT DATE = 03-23-16	DRAWN - JJB	REVISED -
	CHECKED - ACAD	REVISED -

STATE OF ILLINOIS
DEPARTMENT OF TRANSPORTATION

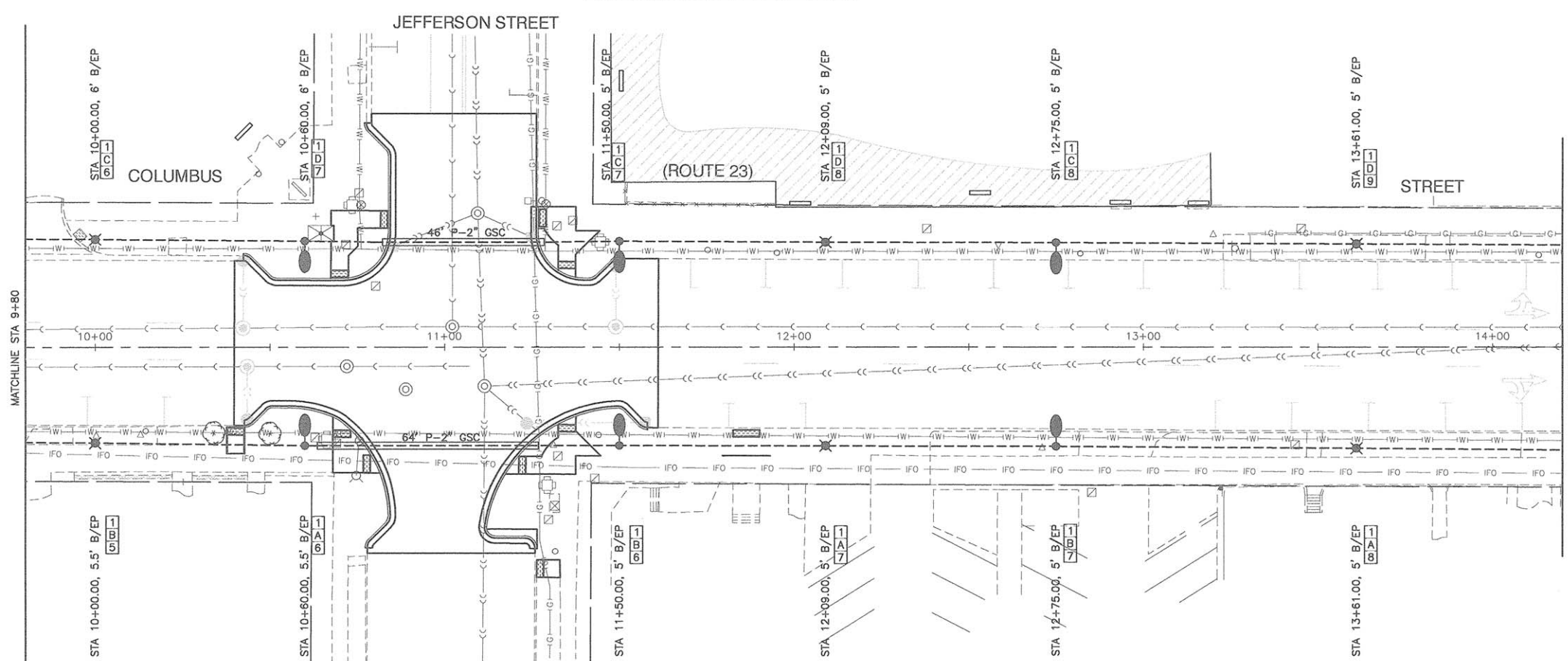
COLUMBUS STREET LIGHTING & BEAUTIFICATION
COLUMBUS STREET AT MAIN STREET
STREET LIGHTING

SCALE: 1"= 20' SHEET NO. 20 OF 28 SHEETS STA. TO STA.

F.A.P. RTE.	SECTION	COUNTY	TOTAL SHEETS	SHEET NO.
68	13-00167-00-LS	LASALLE	28	20
CONTRACT NO. 87635				
FED. ROAD DIST. NO. 3 ILLINOIS FED. AID PROJECT TE-00D3(096)				



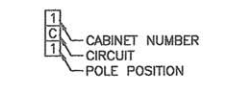
EXISTING CONDITIONS



PROPOSED IMPROVEMENTS

- LEGEND:**
- ○ EXISTING STREET LIGHT
 - ○ EXISTING STREET LIGHT
 - ⊗ PROPOSED LIGHTS, PEDESTRIAN
 - PROPOSED LIGHTING UNIT A, COMPLETE
 - ⊠ PROPOSED CONTROL CABINET
 - CAPPED RACEWAY FOR FUTURE EXPANSION
 - UNDERGROUND CONDUIT, GALVANIZED STEEL (GSC)
 - UNIT DUCT, 3-1/C, NO.4 AWG AND 1/C NO.6 GROUND, 600V IN 1-1/4" DUCT
 - (RO) REMOVAL OF EXISTING STREET LIGHT BY OTHERS
 - B/EP BEHIND EXISTING EDGE OF PAVEMENT

POLE IDENTIFICATION



FILE NAME = 13290-LGHT-01 - P03

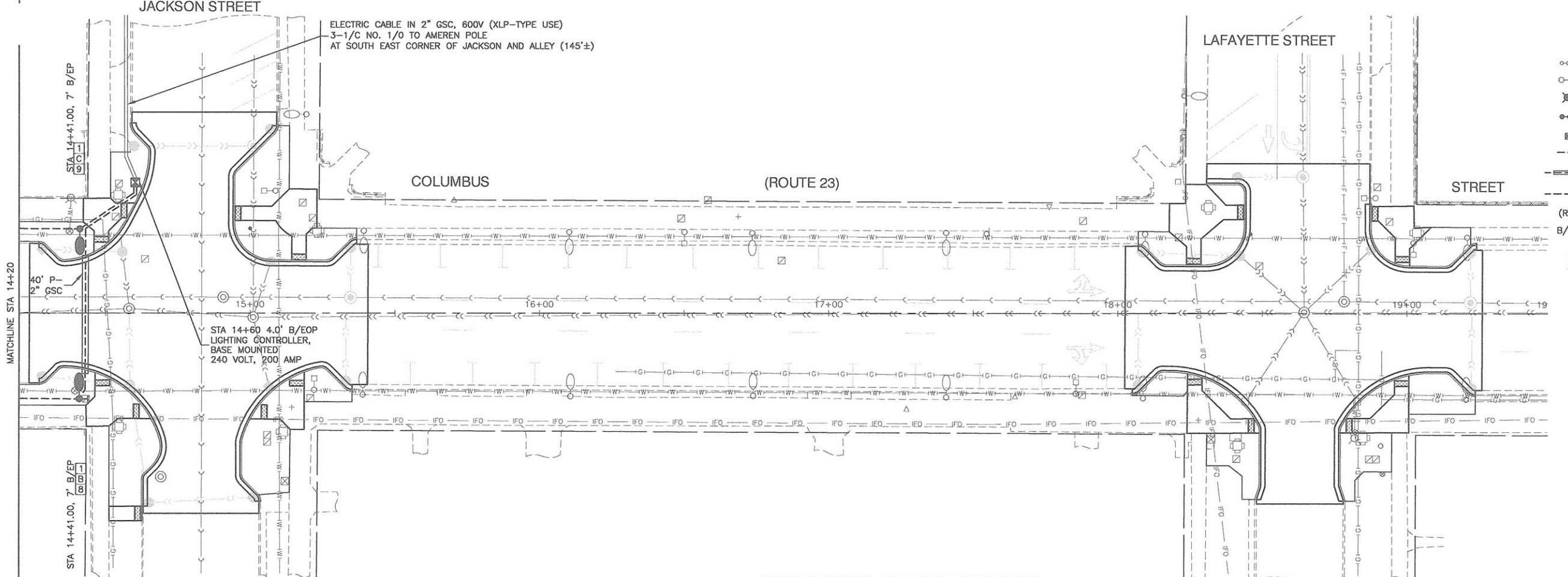
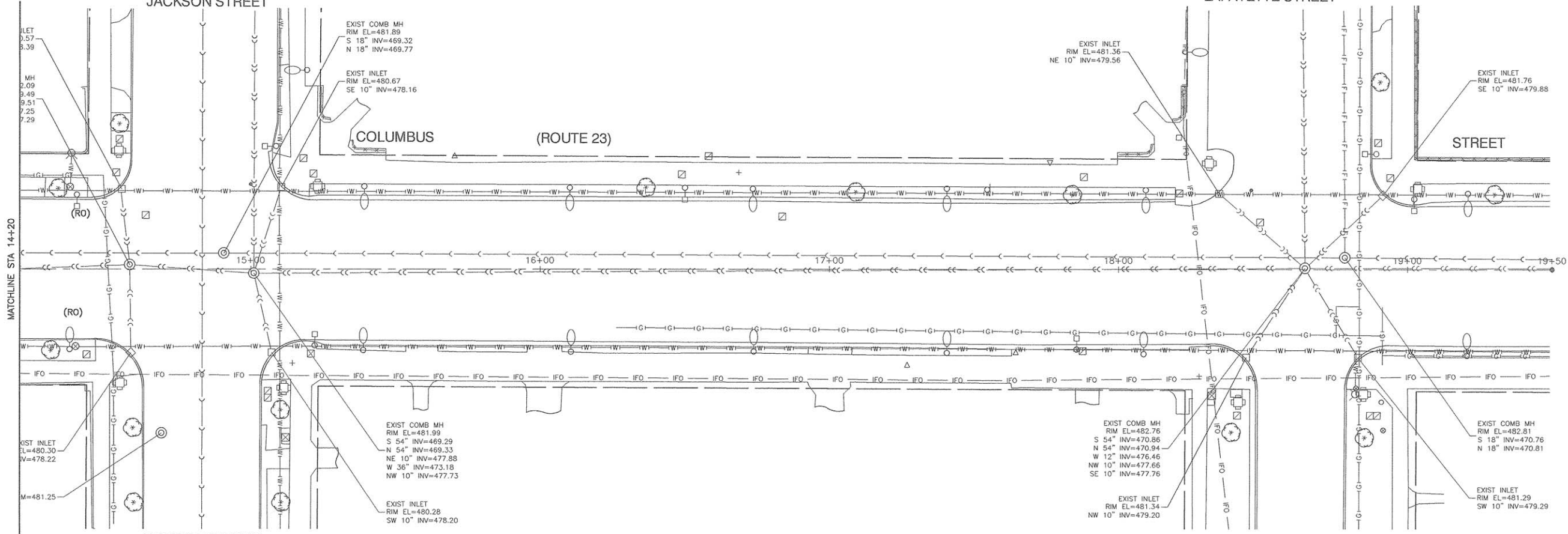
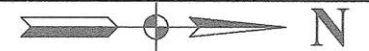
USER NAME =	DESIGNED — JRA/WPD	REVISED —
PLOT SCALE =	CHECKED — PKB	REVISED —
PLOT DATE = 03-23-16	DRAWN — JJB	REVISED —
	CHECKED — ACAD	REVISED —

STATE OF ILLINOIS
DEPARTMENT OF TRANSPORTATION

COLUMBUS STREET LIGHTING & BEAUTIFICATION
COLUMBUS STREET AT MAIN STREET
STREET LIGHTING

SCALE: 1" = 20' SHEET NO. 21 OF 28 SHEETS STA. TO STA.

F.A.P. RTE	SECTION	COUNTY	TOTAL SHEETS	SHEET NO.
68	13-00167-00-LS	LASALLE	28	21
CONTRACT NO. 87635				
FED. ROAD DIST. NO. 3 ILLINOIS FED. AID PROJECT. TE-00D3(096)				



- LEGEND:**
- ○ EXISTING STREET LIGHT
 - □ EXISTING STREET LIGHT
 - ⊗ PROPOSED LIGHTS, PEDESTRIAN
 - PROPOSED LIGHTING UNIT A, COMPLETE
 - PROPOSED CONTROL CABINET
 - | CAPPED RACEWAY FOR FUTURE EXPANSION
 - G— UNDERGROUND CONDUIT, GALVANIZED STEEL (GSC)
 - UNIT DUCT, 3-1/C, NO.4 AWG AND 1/C NO.6 GROUND, 600V IN 1-1/4" DUCT
 - (RO) REMOVAL OF EXISTING STREET LIGHT BY OTHERS
 - B/EP BEHIND EXISTING EDGE OF PAVEMENT

- POLE IDENTIFICATION**
-
- 1 CABINET NUMBER
 - C CIRCUIT
 - 1 POLE POSITION

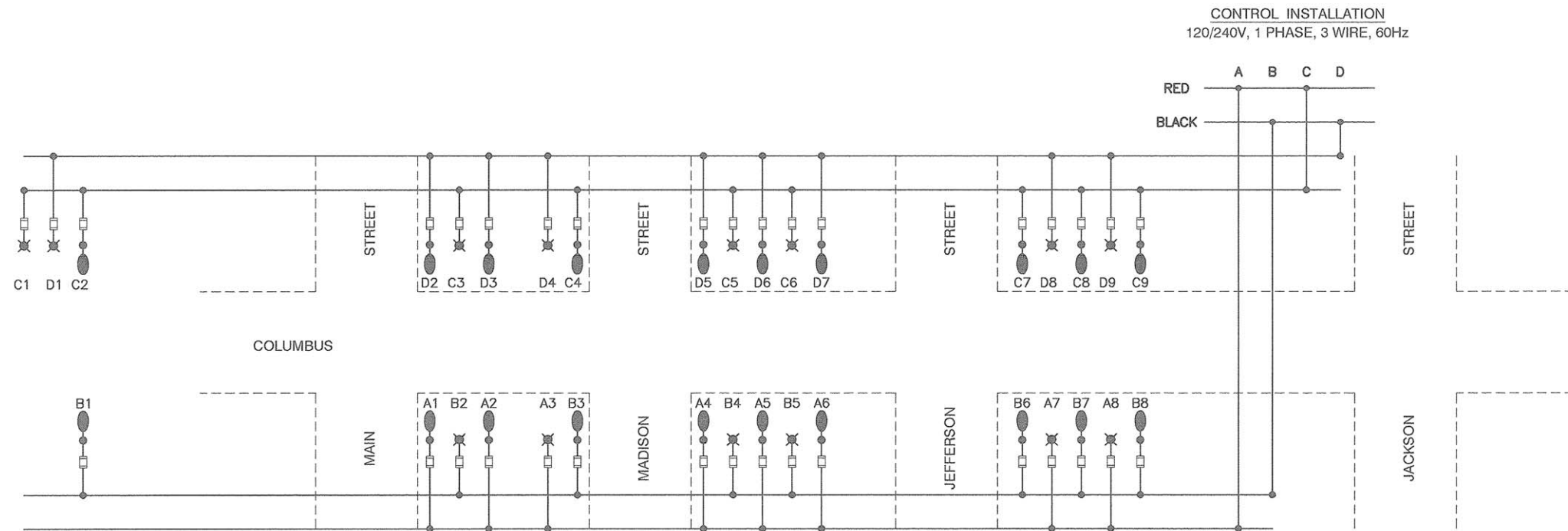
PROPOSED IMPROVEMENTS

STATE OF ILLINOIS
DEPARTMENT OF TRANSPORTATION

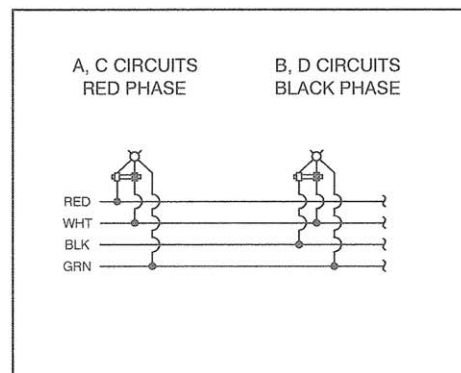
COLUMBUS STREET LIGHTING & BEAUTIFICATION
COLUMBUS STREET AT MAIN STREET
STREET LIGHTING

FILE NAME = 13290-LIGHT-01 - P04	USER NAME =	DESIGNED — JRA/WPD	REVISED —
		CHECKED — PKB	REVISED —
	PLOT SCALE =	DRAWN — JJB	REVISED —
	PLOT DATE = 03-23-16	CHECKED — ACAD	REVISED —

F.A.P. RTE. 68	SECTION 13-00167-00-LS	COUNTY LASALLE	TOTAL SHEETS 28	SHEET NO. 22
CONTRACT NO. 87635				
SCALE: 1"= 20'				
SHEET NO. 22 OF 28 SHEETS		STA. TO STA.		
FED. ROAD DIST. NO. 3 ILLINOIS FED. AID PROJECT TE-00D3(086)				



TYPICAL LUMINAIRE WIRING



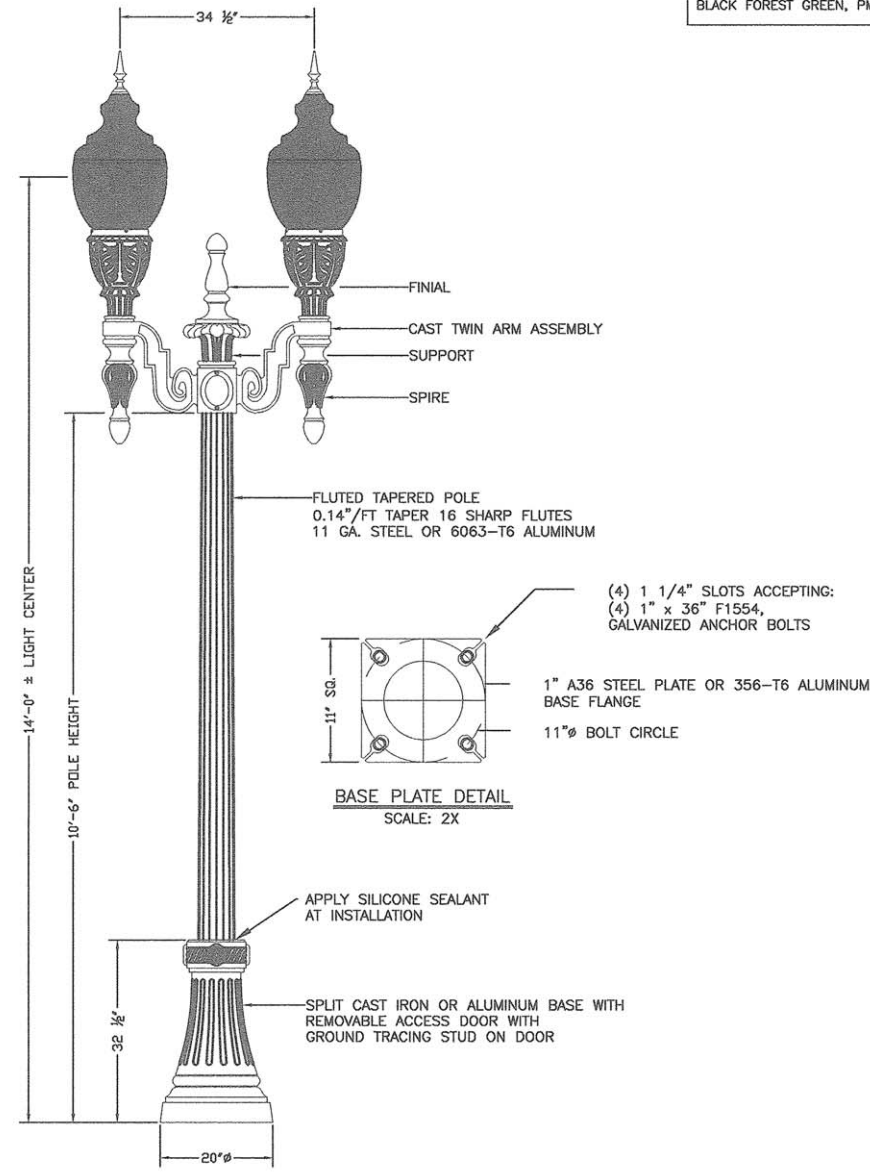
LOAD TABULATIONS CABINET

CIRCUIT	WATTS	AMPS @ 120V	
		RED PHASE	BLACK PHASE
A	1,040	8.67	
B	1,040		8.67
C	1,120	9.33	
D	1,120		9.33
SUBTOTAL	4,320	18.00	18.00

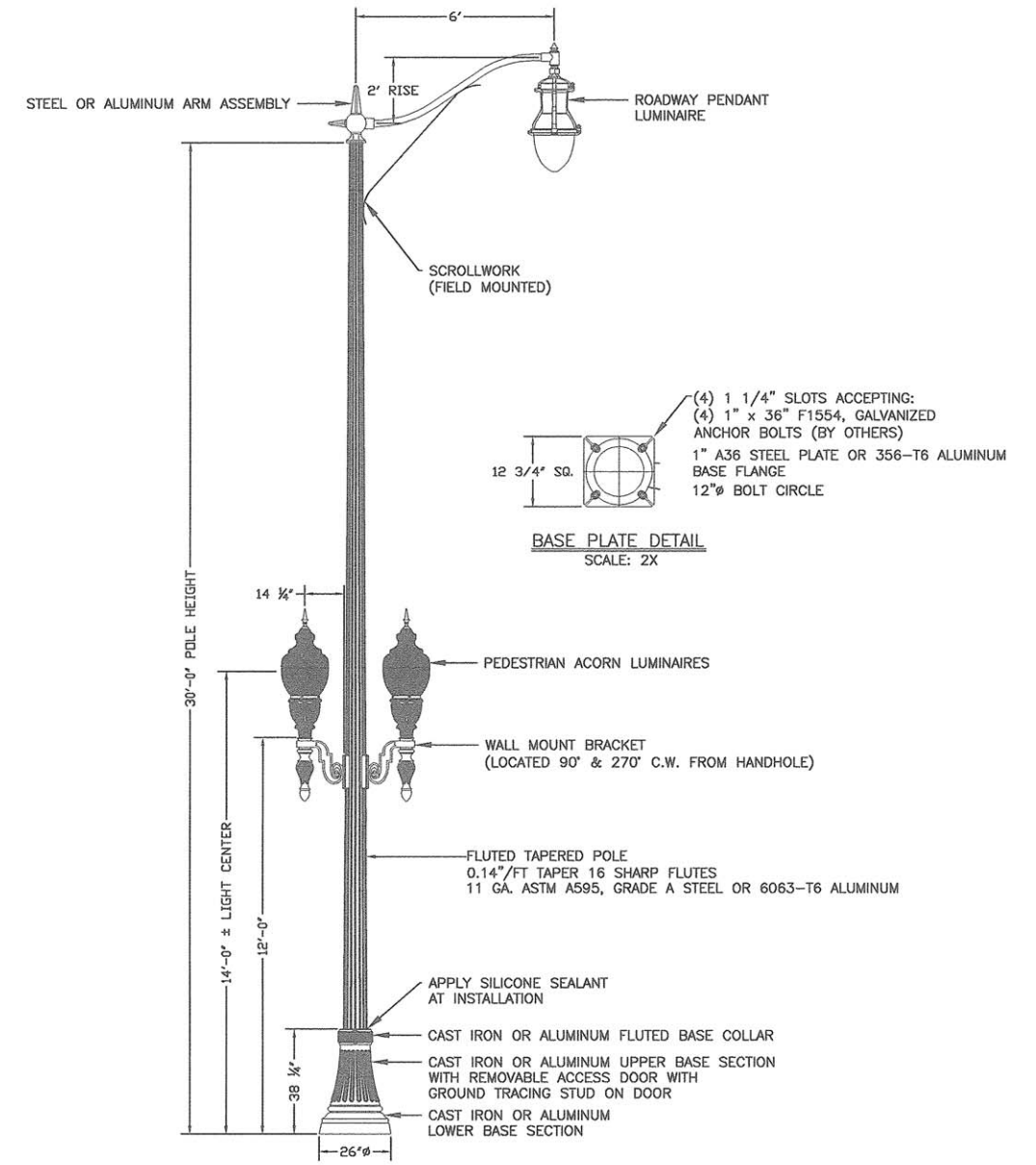
LEGEND

- PEDESTRIAN LIGHTING UNIT
- ROADWAY LIGHTING UNIT
- FUSE
- LUMINAIRE CIRCUIT
- CONNECTION

PAINT SPECIFICATION
 ALL STEEL, IRON OR ALUMINUM COMPONENTS SHALL BE
 FACTORY POWDER COATED BENJAMIN MOORE
 BLACK FOREST GREEN, PM-12, HC-187, OR EQUIVALENT.



LIGHTS, PEDESTRIAN



LIGHTING UNIT A, COMPLETE

- NOTES:**
1. THE LIGHTING UNITS SHALL MEET AASHTO DESIGN CRITERIA. DESIGN FOR 90 M.P.H. WIND WITH 30% GUST AND PROPER ICE LOADING.
 2. LIGHT POLE AND ASSOCIATED EQUIPMENT TO BE U.L. LISTED
 3. LUMINAIRE, POLE, BASE COVER, AND ALL ACCESSORIES SHALL BE BLACK FOREST GREEN.
 4. ALL HARDWARE SHALL BE STAINLESS STEEL AND INSTALLED WITH ANTI-SIEZE LUBRICANT.
 5. STEEL POLES SHALL BE GALVANIZED PRIOR TO PAINTING.

FILE NAME = 13290-LIGHT-02 - P02

USER NAME =	DESIGNED — JRA/WPD	REVISED —
	CHECKED — PKB	REVISED —
PLOT SCALE =	DRAWN — PS	REVISED —
PLOT DATE = 03-23-16	CHECKED — AG	REVISED —

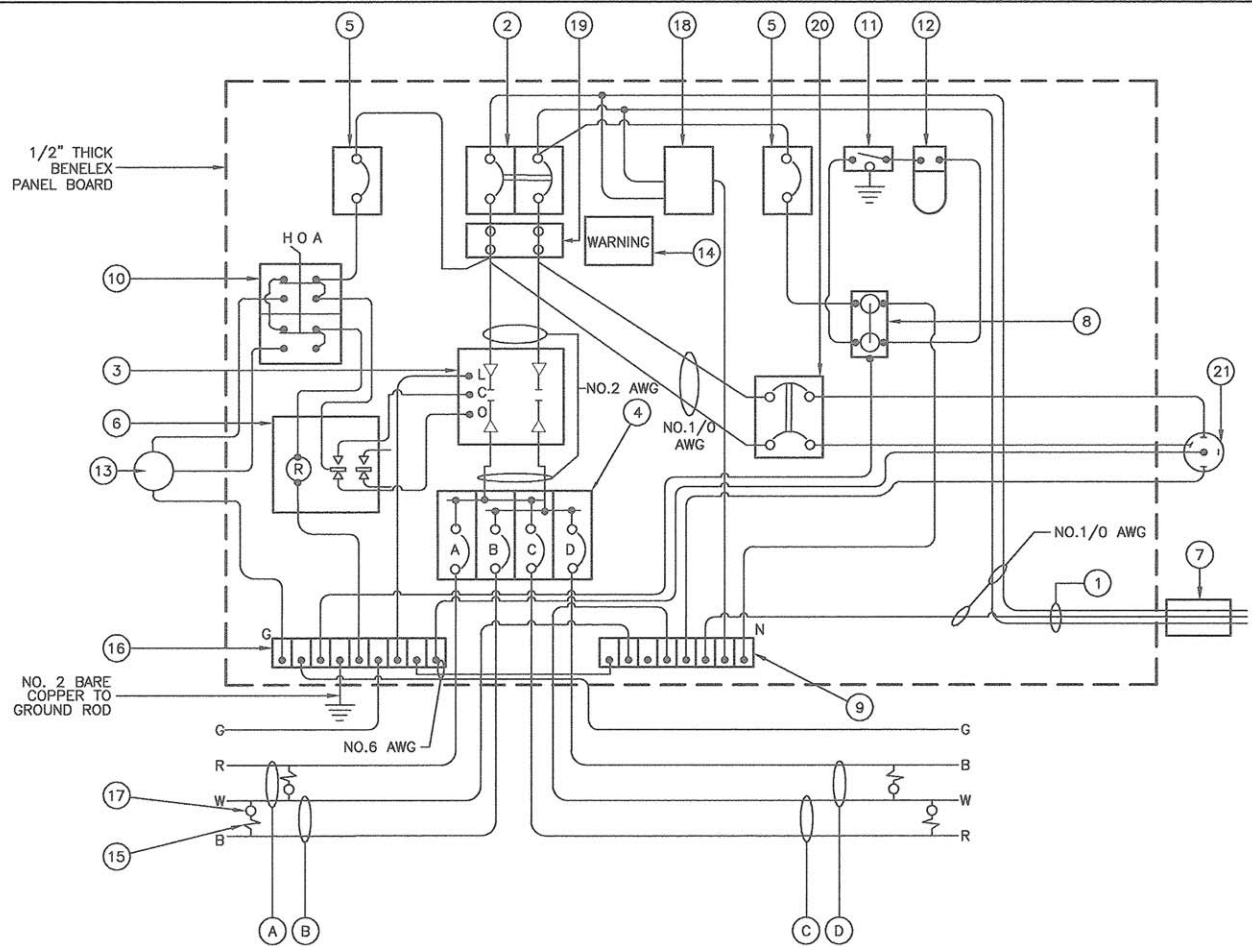
STATE OF ILLINOIS
 DEPARTMENT OF TRANSPORTATION

COLUMBUS STREET LIGHTING & BEAUTIFICATION
 COLUMBUS STREET AT MAIN STREET
 STREET LIGHTING DETAILS

SCALE: SHEET NO. 24 OF 28 SHEETS STA. TO STA.

F.A.P. RTE.	SECTION	COUNTY	TOTAL SHEETS	SHEET NO.
68	13-00167-00-LS	LASALLE	28	24
FED. ROAD DIST. NO. 3 ILLINOIS			FED. AID PROJECT TE-00D3(096)	

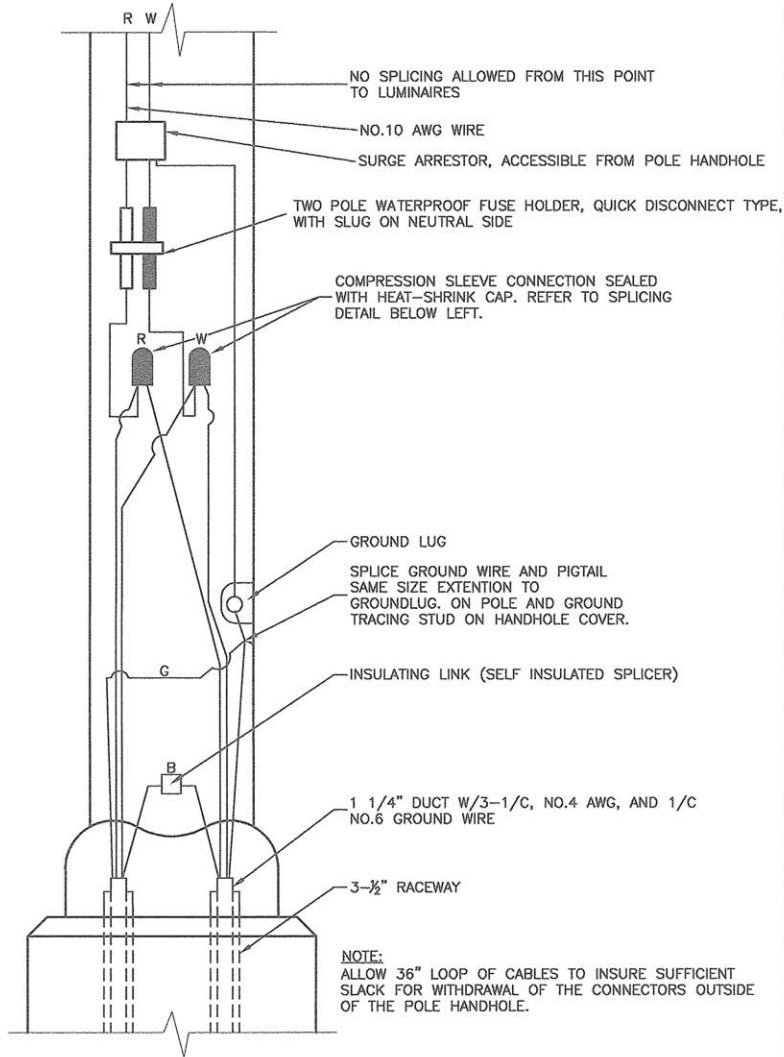
CONTRACT NO. 87635



CONTROLLER WIRING DIAGRAM

CONTROLLER WIRING DIAGRAM LEGEND

- ① 3-1/C, NO. 1/0, 600V SERVICE WIRE IN 2" DIA. GALVANIZED STEEL CONDUIT FOR 120/240 VOLT, 1Ø, 3 WIRE, 60HZ. SERVICE.
- ② (1) 200 AMP MAIN CIRCUIT BREAKER, 2 POLE, 600 VOLT, 100 AMP BASE, NON-INTERCHANGEABLE TRIP INTERRUPTING RATING, NEMA - 14000 AMP AT 240 V.
- ③ (1) 100 AMP REMOTE CONTROL CONTACTOR SWITCH, ELECTRICALLY OPERATED, MECHANICALLY HELD, 2 POLE, 600 VOLT
- ④ (4) 30 AMP CIRCUIT BREAKER, 1 POLE, 120 VOLT, 100 AMP BASE, NON-INTERCHANGEABLE TRIP RATING NEMA - 14000 AMP AT 240 VOLTS.
- ⑤ (2) 20 AMP CONTROL CIRCUIT-CIRCUIT BREAKER, 1 POLE, 120 VOLT, 100 AMP BASE, NON-INTERCHANGEABLE TRIP INTERRUPTING RATING NEMA 14000 AMP AT 240 V.
- ⑥ (1) 20 AMP, 1 POLE DOUBLE THROW, 120 VOLT RELAY
- ⑦ METER SOCKET, 1Ø, 3 WIRE, 200A
- ⑧ (1) 20 AMP, 120 VOLT DUPLEX GFCI RECEPTACLE MOUNTED IN BOX.
- ⑨ NEUTRAL BUS BAR, 1/4"x1"x12" MINIMUM LENGTH MOUNTED ON PANEL WITH LUGS.
- ⑩ 3 POSITION SELECTOR SWITCH, 120V.
- ⑪ SWITCH FOR LIGHTING FIXTURE MOUNTED IN BOX, 20 AMP.
- ⑫ WEATHER-PROOF LIGHTING FIXTURE WITH 1600 LUMEN, 120 V LED LAMP.
- ⑬ PHOTOCELL MOUNTED TO CABINET, 120 V. 1000 VA BALLAST RATING, 1-4 FC ON 3-12 FC OFF, 30 SECOND MINIMUM DELAY.
- ⑭ WARNING PLATE TO READ: WARNING, MAINTENANCE CIRCUIT IS LIVE WHEN MAIN BREAKER IS SWITCHED OFF
- ⑮ IN-LINE FUSEHOLDER WITH FUSE AS NOTED IN FUSE TABLE
- ⑯ GROUND BUS BAR 1/4"x1"x12" MINIMUM LENGTH MOUNTED ON PANEL WITH LUGS
- ⑰ LUMINAIRE
- ⑱ SURGE ARRESTER, UL LISTED, NEC 280 COMPLIANT, 1Ø, 3 WIRE 60 HZ. MAX. 3,405 JOULES
- ⑲ SPLICE BLOCK
- ⑳ (1) 100 AMP CIRCUIT BREAKER, 2 POLE, 600 VOLT, 100 AMP BASE, NON-INTERCHANGEABLE TRIP RATING NEMA - 14000 AMP AT 240 VOLTS.
- ㉑ (1) 100 AMP, 4 POLE, 5 WIRE PIN AND SLEEVE RECEPTACLE WITH WEATHERPROOF COVER MOUNTED TO CABINET WALL FOR EXTERNAL ACCESS. (COOPER CD5100RW EQUIVALENT)
- A CIRCUIT (RED)
- B CIRCUIT (BLACK)
- C CIRCUIT (RED)
- D CIRCUIT (BLACK)



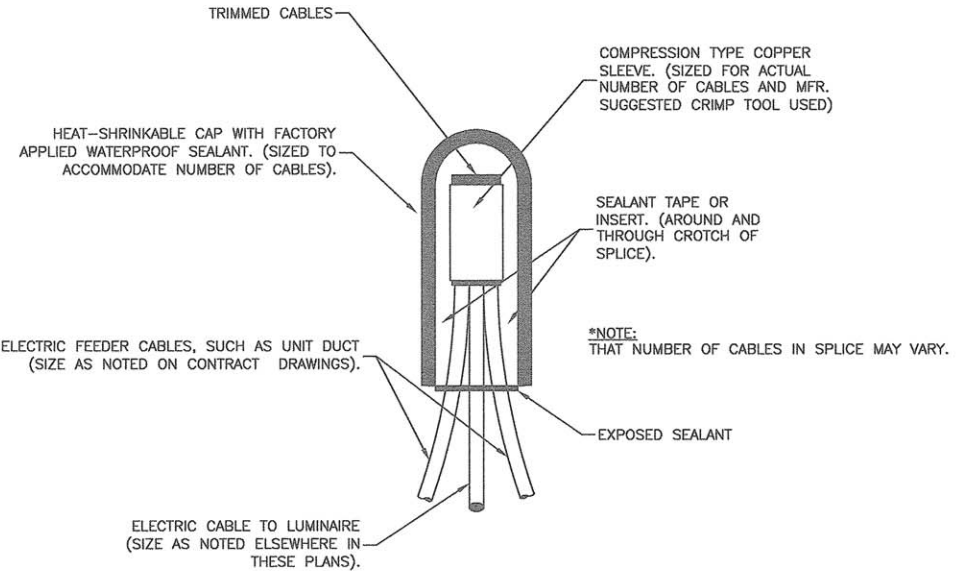
POLE HANDHOLE WIRING DIAGRAM (RED PHASE SHOWN)

GENERAL NOTES FOR CONTROL CABINET

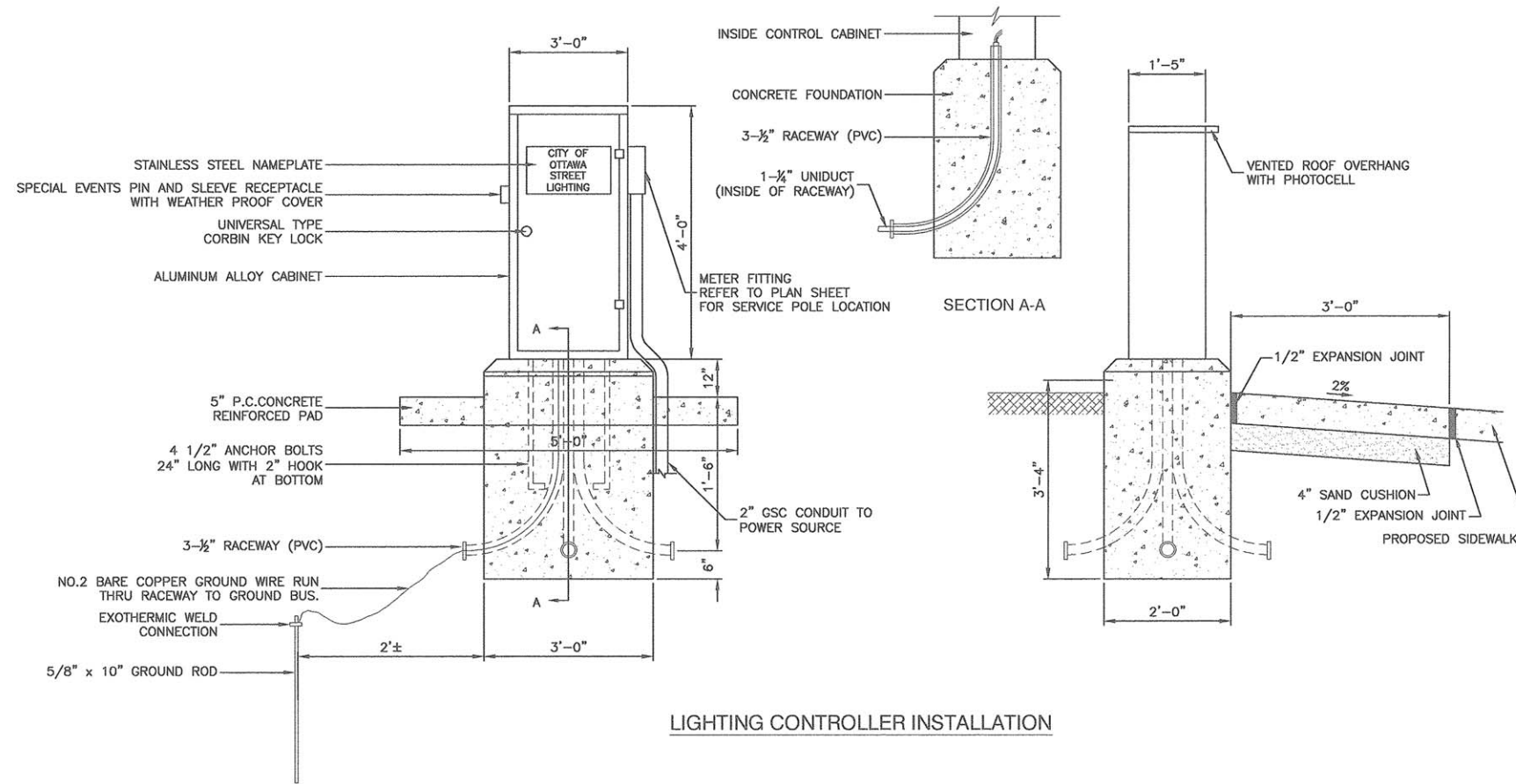
1. ENTIRE CONTROL CABINET SHALL BE GROUNDED.
2. ALL WIRING SHALL BE TAGGED WITH SELF-STICKING WIRE MARKERS.
3. GROUND BUS TO BE COLOR CODED GREEN, NEUTRAL BUS WHITE, AND BONDED TO CABINET ENCLOSURE, BY LISTED PRESSURE CONNECTORS OR LISTED CLAMPS.
4. ALL INTERNAL CONTROLLER WIRING TO BE NO.12 AWG UNLESS OTHERWISE SPECIFIED.
5. CABINET WIRING INSULATION TO BE TYPE XHHW OR APPROVED EQUAL.
6. THE CONTROLLER SHALL BE UL LISTED, NEMA 3R AND SUITABLE FOR USE AS SERVICE ENTRANCE

LIGHTING GENERAL NOTES

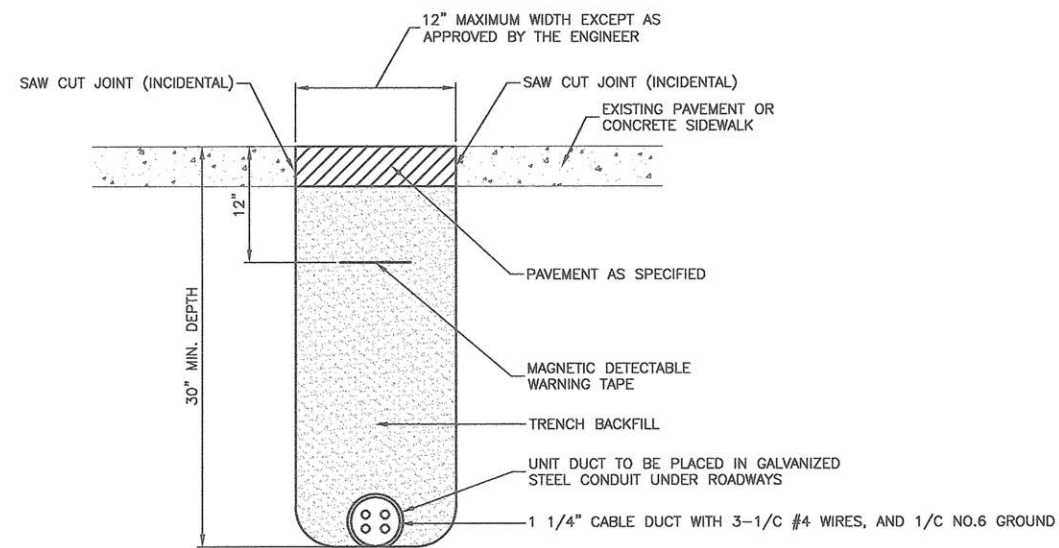
1. ALL WORK TO CONFORM TO THE MOST RECENT NATIONAL ELECTRICAL CODE AND ANY APPLICABLE LOCAL CODES.
2. CONTRACTOR TO VERIFY LOCATION OF ALL UNDERGROUND UTILITIES BEFORE TRENCHING OR AUGERING.
3. BEFORE INSTALLING STANDARDS NEAR OVERHEAD FACILITIES CALL AMEREN FOR APPROVAL OF LOCATION.
4. THE CONTRACTOR WILL BE RESPONSIBLE FOR THE ESTABLISHMENT OF FINISHED GRADE. THE RESIDENT ENGINEER MAY ASSIST THE CONTRACTOR, AS APPLICABLE, BUT THE RESPONSIBILITY COORDINATING THE FINISHED GRADE ELEVATION WITH THE TOP OF THE FOUNDATION HEIGHTS AND THE LIGHT SHALL REMAIN WITH THE CONTRACTOR.
5. NO POLES SHALL BE ERECTED UNTIL THE RESPECTIVE FOUNDATIONS HAVE CURED, AS APPROVED BY THE ENGINEER.
6. THE CONTRACTOR SHALL MAKE SPECIAL NOTE OF THE REQUIREMENTS FOR WIRE MARKERS AND SHALL TAG ALL WIRE MARKERS AND SHALL TAG ALL WIRE ACCORDINGLY.
7. EQUIPMENT GROUND CONDUCTORS SHALL BE SPLICED AND BONDED AT EACH LIGHT POLE OR OTHER PIECE OF EQUIPMENT.
8. CONDUITS AND UNIT DUCTS MUST BE POSITIONED IN THE FIELD TO AVOID CONFLICT WITH TREES, BUSHES, DRAINS AND OTHER UTILITIES.



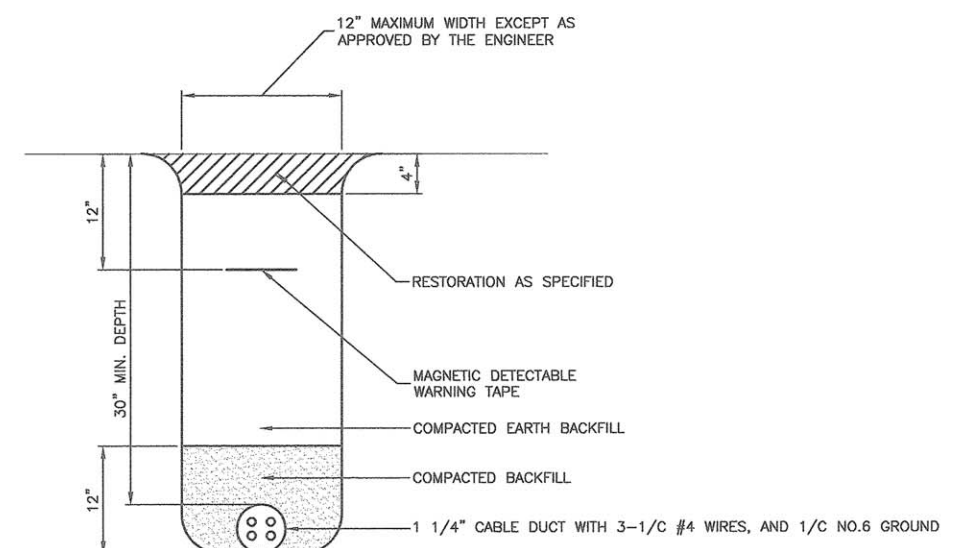
SPLICING ELECTRIC CABLES BASIC MATERIALS AND METHODS



- NOTE:
1. ORIENT CABINET SO DOOR OPENS AWAY FROM TRAFFIC.
 2. METER FITTING TO BE LOCATED ON THE SIDE OF THE CABINET CLOSEST TO SERVICE POLE.



TRENCH DETAIL - PAVED AREAS



TRENCH DETAIL - UNPAVED AREAS

FILE NAME = 13290-LGHT-02 - P04

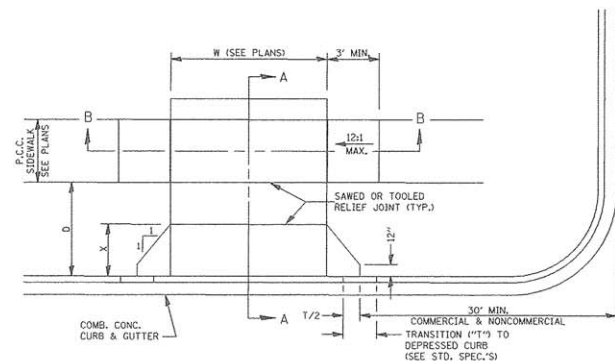
USER NAME =	DESIGNED -- JRA/WPD	REVISED --
	CHECKED -- PKB	REVISED --
PLOT SCALE =	DRAWN -- PS	REVISED --
PLOT DATE = 03-23-16	CHECKED -- AG	REVISED --

STATE OF ILLINOIS
DEPARTMENT OF TRANSPORTATION

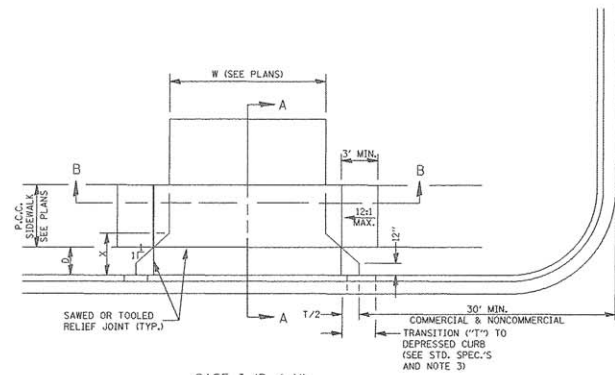
COLUMBUS STREET LIGHTING & BEAUTIFICATION
COLUMBUS STREET AT MAIN STREET
STREET LIGHTING DETAILS

SCALE: SHEET NO. 26 OF 28 SHEETS STA. TO STA.

F.A.P. RTE.	SECTION	COUNTY	TOTAL SHEETS	SHEET NO.
68	13-00167-00-LS	LASALLE	28	26
CONTRACT NO. 87635				
FED. ROAD DIST. NO. 3 ILLINOIS FED. AID PROJECT TE-00D3(096)				



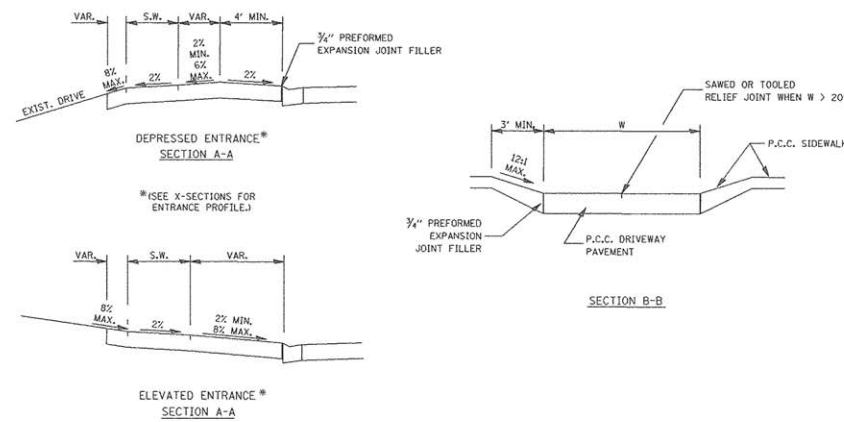
CASE I (D ≥ X)



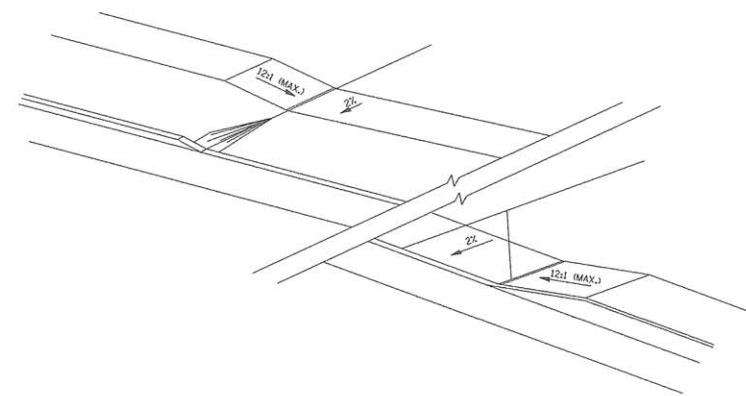
CASE I (D < X)

GENERAL NOTES:

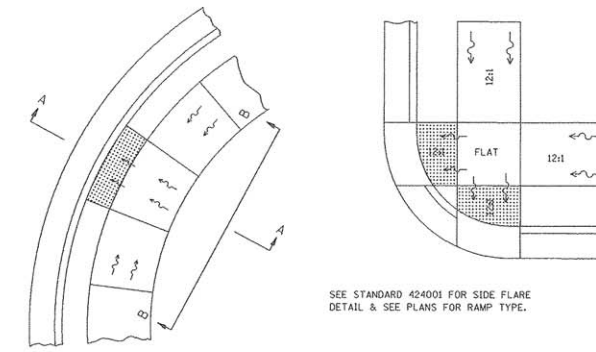
1. X = 7' (NON-COMMERCIAL) X = 15' (COMMERCIAL)
2. COST OF EXPANSION JOINTS AND RELIEF JOINTS SHALL BE INCLUDED IN THE COST OF THE P.C.C. DRIVEWAY PAVEMENT.
3. AS THE DIMENSION "D" APPROACHES ZERO, THE TRANSITION TO DEPRESSED CURB SHALL BE NO STEEPER THAN 12:1



ELEVATED ENTRANCE SECTION A-A



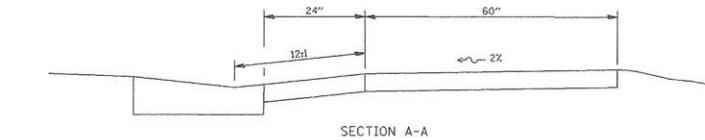
423-1



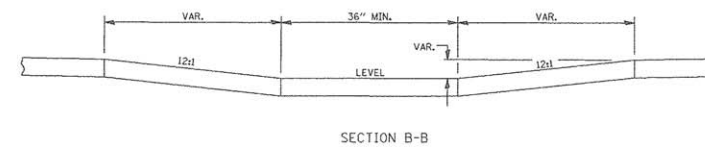
SEE STANDARD 424001 FOR SIDE FLARE DETAIL & SEE PLANS FOR RAMP TYPE.

NOTES:

- THIS DETAIL TO BE USED IN CONJUNCTION WITH STATE STANDARD 424001.
- THE MAXIMUM ALLOWABLE CROSS SLOPE FOR SIDEWALK IS 2%.
- THE MAXIMUM ALLOWABLE SIDEWALK GRADE IS 8%.
- IF SPACE LIMITATIONS PROHIBIT THE USE OF THE 12:1 SLOPE, THEN SLOPES BETWEEN 10:1 AND 12:1 ARE PERMITTED FOR A MAXIMUM RISE OF 6". SLOPES 8:1 AND 10:1 ARE ALLOWED FOR A MAXIMUM RISE OF 3". SLOPES STEEPER THAN 8:1 ARE NOT PERMITTED.
- THE DEPRESSED CURB IS NOT STANDARD, THE RISE IS 1/2" INSTEAD OF 1 1/2".



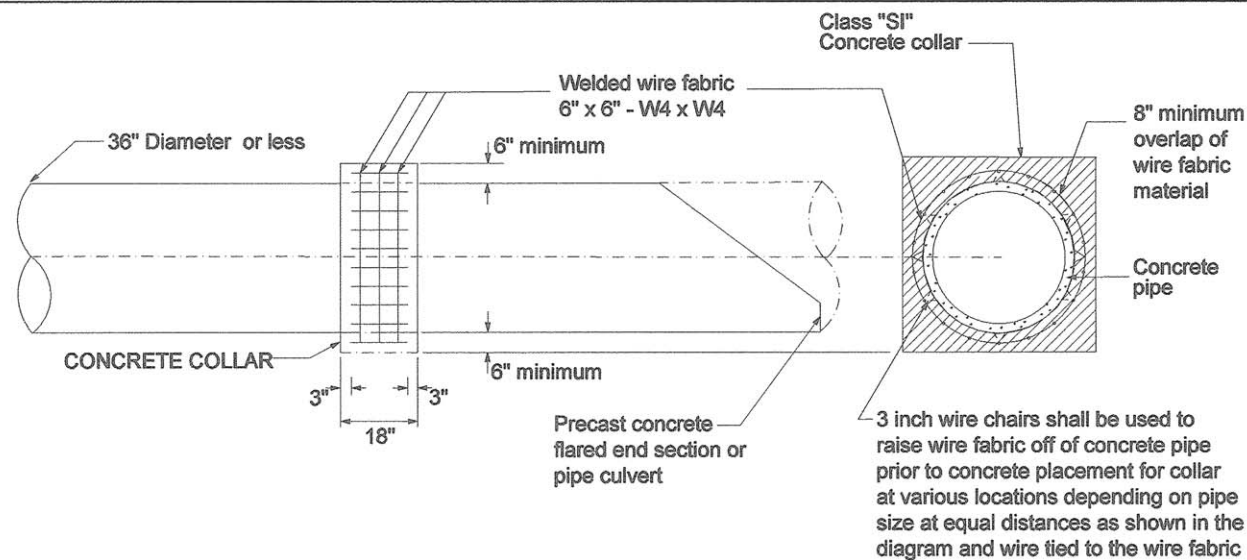
SECTION A-A



SECTION B-B

ADA SIDEWALK ACCESSIBILITY RAMP DETAIL

424-29

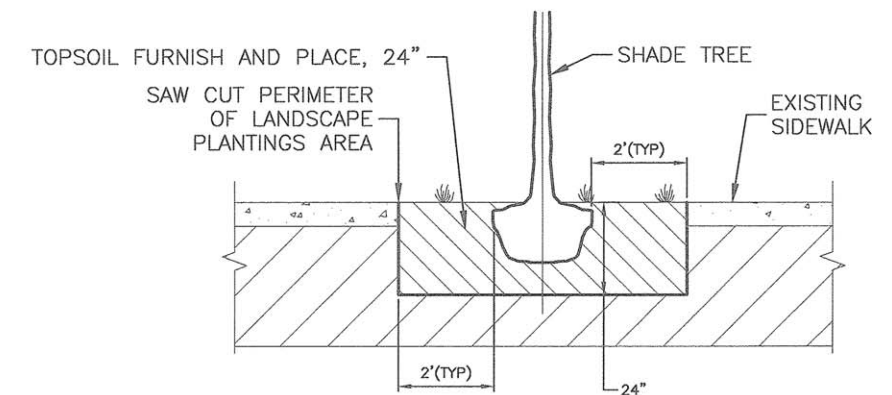


QUANTITIES		
INSIDE PIPE DIA.	CLASS SI CONCRETE	WIRE MESH
12"	.22 CU. YD.	.72 SQ. YD.
15"	.27 CU. YD.	.81 SQ. YD.
18"	.31 CU. YD.	.92 SQ. YD.
24"	.41 CU. YD.	1.12 SQ. YD.
27"	.46 CU. YD.	1.22 SQ. YD.
30"	.51 CU. YD.	1.26 SQ. YD.
33"	.57 CU. YD.	1.43 SQ. YD.
36"	.62 CU. YD.	1.53 SQ. YD.

Class "SI" CONCRETE COLLAR DETAIL for Concrete Pipe (36" Diameter and less)

NOTES:

1. All concrete collars shall be vibrated and allowed to cure 4 to 6 hours prior to the removal of forming boards. Only then will backfilling be allowed.
2. All wire fabric and chairs shall be included with the price of Class "SI" concrete.



TYPICAL LANDSCAPE PLANTINGS AREA DETAIL

FILE NAME = 13290-DTLS-01 - IDOT P01

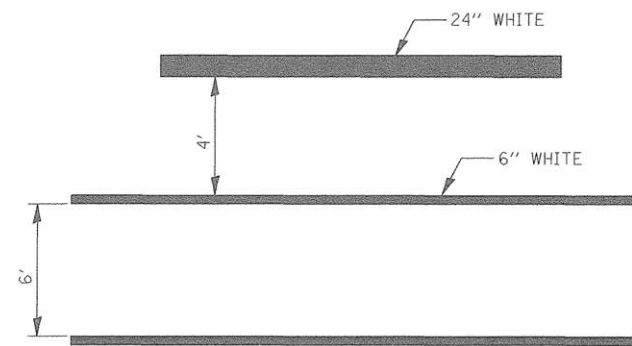
USER NAME =	DESIGNED -- JRA/WPD	REVISED --
PLOT SCALE =	CHECKED -- PKB	REVISED --
PLOT DATE = 03-23-16	DRAWN -- ACAD	REVISED --
	CHECKED -- ACAD	REVISED --

STATE OF ILLINOIS
DEPARTMENT OF TRANSPORTATION

COLUMBUS STREET LIGHTING & BEAUTIFICATION
COLUMBUS STREET AT MAIN STREET
CONSTRUCTION AND DISTRICT 3 DETAILS

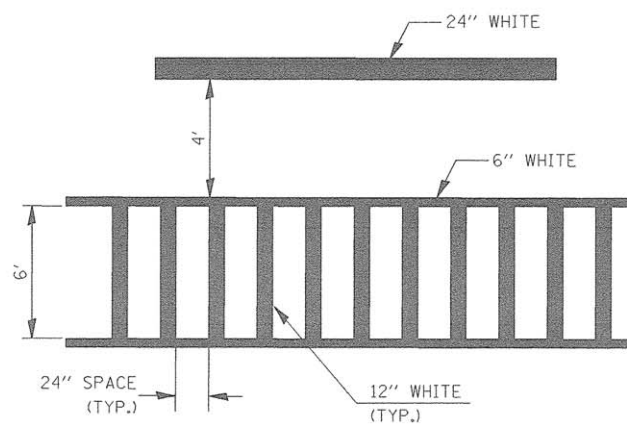
SCALE: SHEET NO. 27 OF 28 SHEETS STA. TO STA.

F.A.P. RTE.	SECTION	COUNTY	TOTAL SHEETS	SHEET NO.
68	13-00167-00-L5	LASALLE	28	27
CONTRACT NO. 87635				
FED. ROAD DIST. NO. 3 ILLINOIS FED. AID PROJECT TE-00D3(096)				



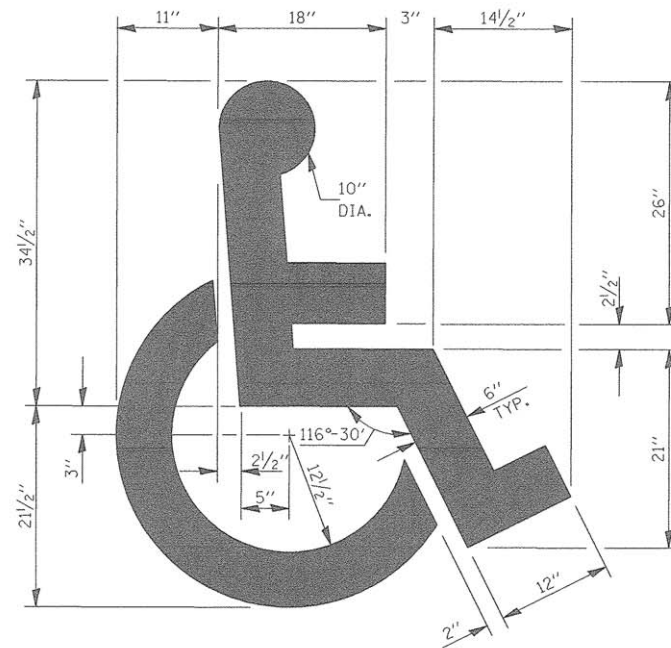
**TYPICAL SPACING DETAIL FOR
CROSSWALKS AND STOP BARS**

**780-3
OPTION 1**



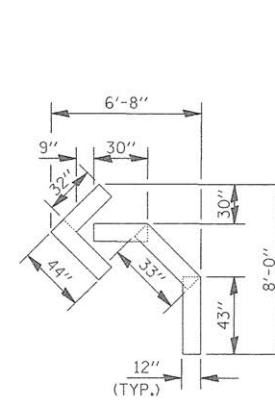
**TYPICAL SPACING DETAIL FOR
CROSSWALKS AND STOP BARS**

**780-3
OPTION 2**

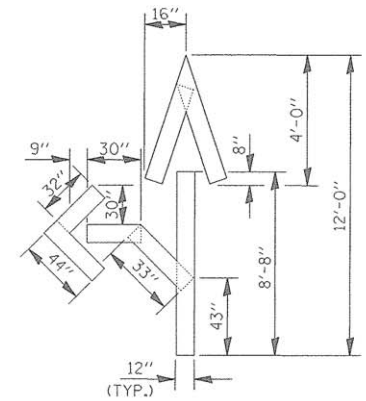


**TYPICAL DETAIL FOR
PAINTING HANDICAP MARKINGS**

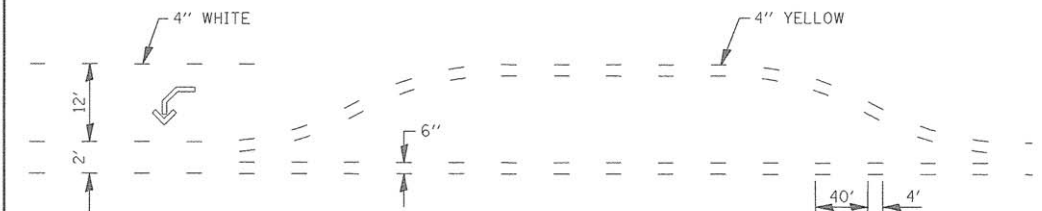
780-9



QUANTITY
12" LINE = 16 LIN. FT.
OR 4" LINE = 48 LIN. FT.



QUANTITY
12" LINE = 29 LIN. FT.
OR 4" LINE = 87 LIN. FT.



**SHORT-TERM PAVEMENT MARKING
FOR MEDIANS AND ARROWS**

703-1

REVISIONS
DATE
BY

FILE NAME = 13280-DTLS-01 - IDOT P02

USER NAME =	DESIGNED — JRA/WPD	REVISIONS —
PLOT SCALE =	CHECKED — PKB	REVISIONS —
PLOT DATE = 03-23-16	DRAWN — ACAD	REVISIONS —
	CHECKED — ACAD	REVISIONS —

STATE OF ILLINOIS
DEPARTMENT OF TRANSPORTATION

COLUMBUS STREET LIGHTING & BEAUTIFICATION
COLUMBUS STREET AT MAIN STREET
CONSTRUCTION AND DISTRICT 3 DETAILS

SCALE: SHEET NO. 28 OF 28 SHEETS STA. TO STA.

F.A.P. RTE.	SECTION	COUNTY	TOTAL SHEETS	SHEET NO.
88	13-00167-00-LS	LASALLE	28	28
FED. ROAD DIST. NO. 3 ILLINOIS			FED. AID PROJECT TE-00D3(096)	
			CONTRACT NO. 87635	