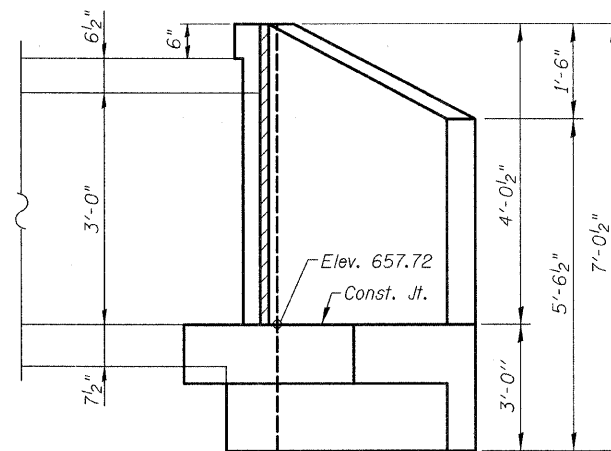
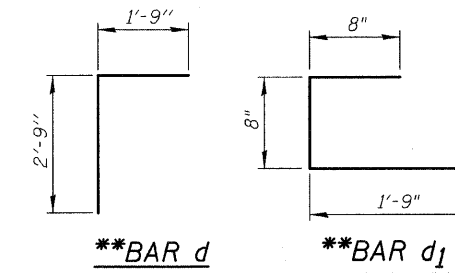


SHOWING REINFORCEMENT

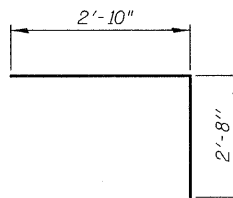


SHOWING DIMENSIONS



\*\*BAR d

\*\*BAR d1



BAR z

BILL OF MATERIAL

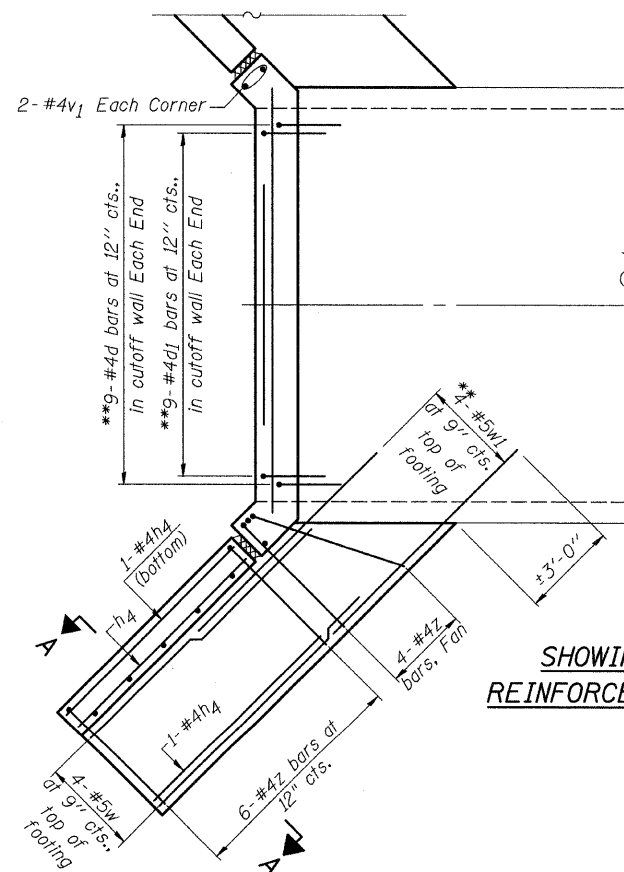
Bar	No.	Size	Length	Shape
h3	10	#6	8'-6"	—
h4	36	#4	4'-8"	—
v	20	#4	3'-2"	—
v1	8	#4	6'-8"	—
v5(E)	20	#4	5'-2"	—
w	16	#5	5'-3"	—
z	40	#4	5'-6"	└
Reinforcement Bars			Pound	550
Reinforcement Bars, Epoxy Coated			Pound	70
Concrete Box Culverts			Cu. Yd.	7.7

BILL OF MATERIAL (FOR REINFORCEMENT BARS CAST INTO PRECAST CULVERTS)

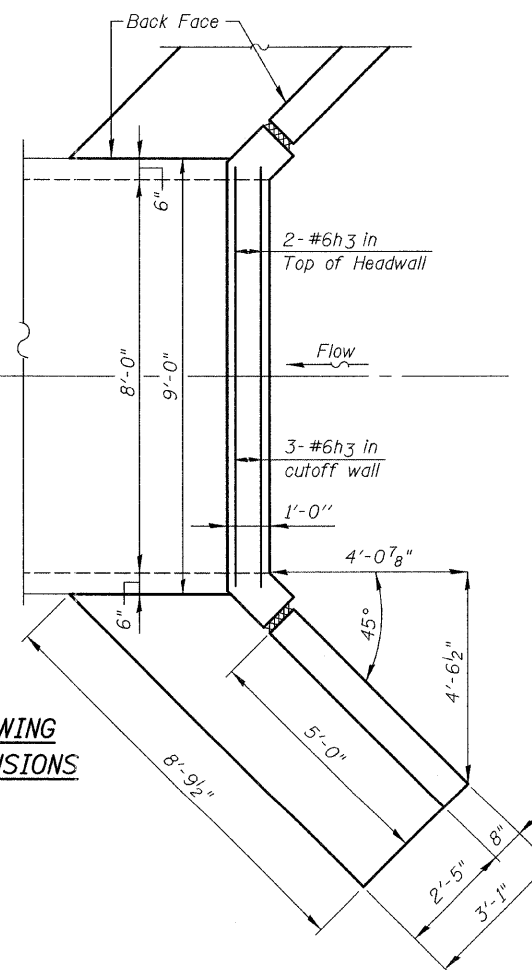
Bar	No.	Size	Length	Shape
**d	18	#4	4'-6"	└
**d1	18	#4	3'-1"	└
**w1	16	#5	8'-0"	—

\*\*Cast Reinforcement Bars into Precast Concrete Box Culvert as shown. Cost included with Precast Concrete Box Culverts 8'x3'

ELEVATION

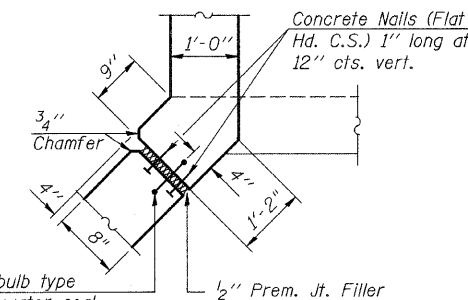


SHOWING REINFORCEMENT



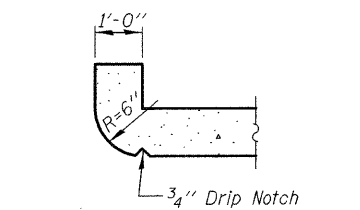
SHOWING DIMENSIONS

PLAN

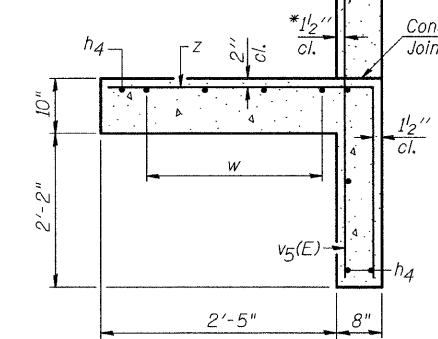


6" Hollow bulb type nonmetallic water seal. (6" from top of wall to top of fig.)

CORNER DETAIL



SECTION THRU HEADWALL (Up Stream End Only)



SECTION A-A

\*v5(E) bars shall not be placed more than 1 1/2" cl. from back face of wingwall.

CAST-IN-PLACE END SECTION DETAILS STRUCTURE NO. 049-0240 OUTLET NO. 16



FILE NAME = D168953-03-end.sect.det.dgn

USER NAME =  
PLOT SCALE =  
PLOT DATE =

DESIGNED - J.C.N./B.N.S.  
CHECKED - B.N.S.  
DRAWN - F.M.  
CHECKED - B.N.S./J.C.N.

REVISED -  
REVISED -  
REVISED -  
REVISED -

STATE OF ILLINOIS DEPARTMENT OF TRANSPORTATION

CAST-IN-PLACE END SECTION DETAILS STRUCTURE NO. 049-0240

SHEET NO. SC3-3 OF SC3-4 SHEETS

F.A.P. RTE.	SECTION	COUNTY	TOTAL SHEETS	SHEET NO.
330	128R-3	LAKE	518	363
				CONTRACT NO. 60953
ILLINOIS FED. AID PROJECT				