

STATE OF ILLINOIS
DEPARTMENT OF TRANSPORTATION

F.A.P. RTE.	SECTION	COUNTY	TOTAL SHEETS	SHEET NO.
VAR	(8;1)GR	VARIOUS	13	1
ILLINOIS			CONTRACT NO. 68H74	

INDEX OF SHEETS:

- 1 COVER SHEET
- 2 HIGHWAY STANDARDS, COMMITMENTS, & GENERAL NOTES
- 3 SUMMARY OF QUANTITIES
- 4-11 ROADWAY PLANS - GUARDRAIL IMPROVEMENTS
- 12-13 CADD STANDARDS

PROJECT LOCATED IN TOWN OF MAGNOLIA AND PEKIN

HIGHWAY STANDARDS

- 000001-08 STANDARD SYMBOLS, ABBREVIATIONS AND PATTERNS
- 001006 DECIMAL OF AN INCH AND OF A FOOT
- 630001-12 STEEL PLATE BEAM GUARDRAIL
- 630301-09 SHOULDER WIDENING FOR TYPE 1 (SPECIAL) GUARDRAIL TERMINALS
- 630101-10 STRONG POST GUARDRAIL ATTACHED TO CULVERT
- 701006-05 OFF-ROAD OPERATIONS, 2L, 2W, 15' (4.5m) TO 24" (600mm) FROM PAVEMENT EDGE
- 701011-04 OFF-ROAD MOVING OPERATIONS, 2L, 2W, DAY ONLY
- 701201-05 LANE CLOSURE 2L, 2W, DAY ONLY, FOR SPEEDS >= 45MPH
- 725001-01 OBJECT AND TERMINAL MARKERS
- 780001-05 TYPICAL PAVEMENT MARKINGS
- 782006-01 GUARDRAIL AND BARRIER WALL REFLECTOR MOUNTING DETAILS
- 701901-08 TRAFFIC CONTROL DEVICES

IL ROUTE 18

DESIGNATION: MINOR ARTERIAL
POSTED SPEED = 55 MPH

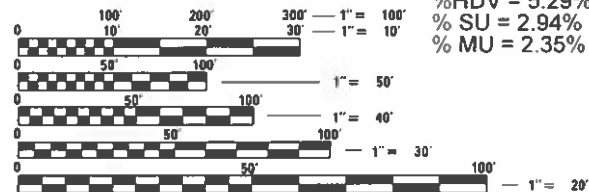
IL 89 TO E 0 RD
2021 AADT = 31,500
%HDV = 17.14%
% SU = 7.62%
% MU = 9.52%

IL ROUTE 98

DESIGNATION: MINOR ARTERIAL
POSTED SPEED = 55 MPH

MCNAUGHTON PARK DR TO CALIFORNIA RD
2021 AADT = 3,900
%HDV = 4.62%
% SU = 2.56%
% MU = 2.05%

CALIFORNIA RD TO SPRINGFIELD RD
2021 AADT = 3,400
%HDV = 5.29%
% SU = 2.94%
% MU = 2.35%



FULL SIZE PLANS HAVE BEEN PREPARED USING STANDARD ENGINEERING SCALES. REDUCED SIZED PLANS WILL NOT CONFORM TO STANDARD SCALES. IN MAKING MEASUREMENTS ON REDUCED PLANS, THE ABOVE SCALES MAY BE USED.

J.U.L.I.E.
JOINT UTILITY LOCATION INFORMATION FOR EXCAVATORS
1-800-892-0123
OR 811

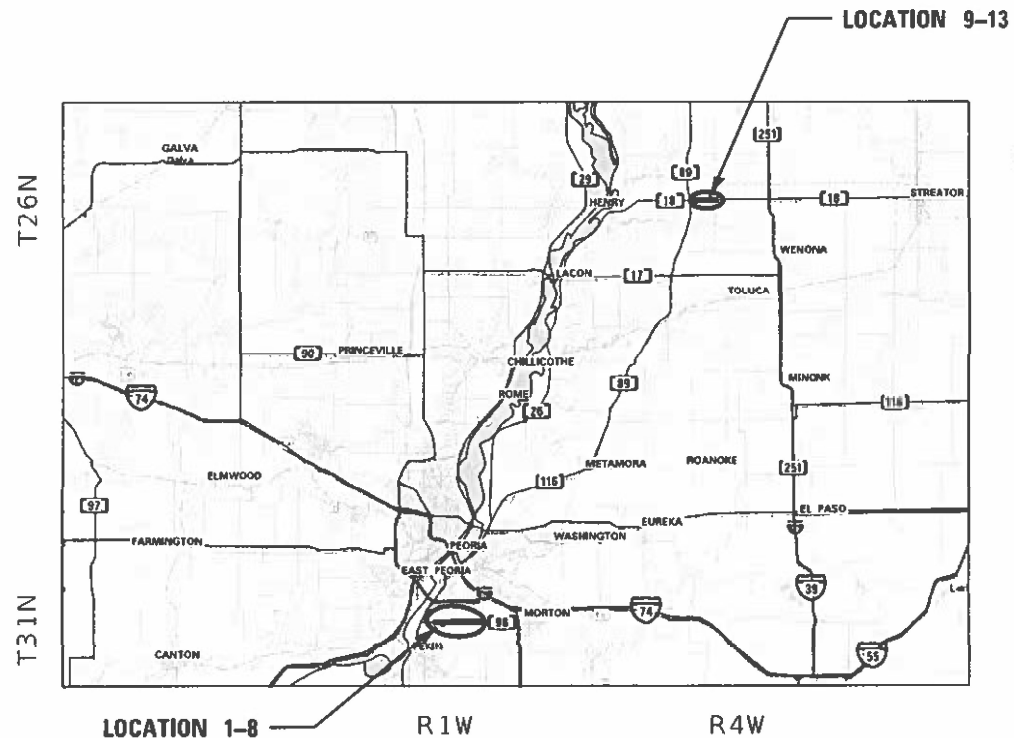
PROJECT ENGINEER: BEN TELLEFSON (309)-671-3333
PROJECT MANAGER: ERIC PRICHARD (309)-671-3333

CONTRACT NO. 68H74

PROPOSED
HIGHWAY PLANS

FAP 653 (IL 18) AND FAS 2463 (IL 98)
SECTION: (8;1)GR
PROJECT: HSIP-PDSS(788)
GUARDRAIL REMOVE AND REPLACE
TAZEWELL AND PUTNAM COUNTY

C-94-077-23



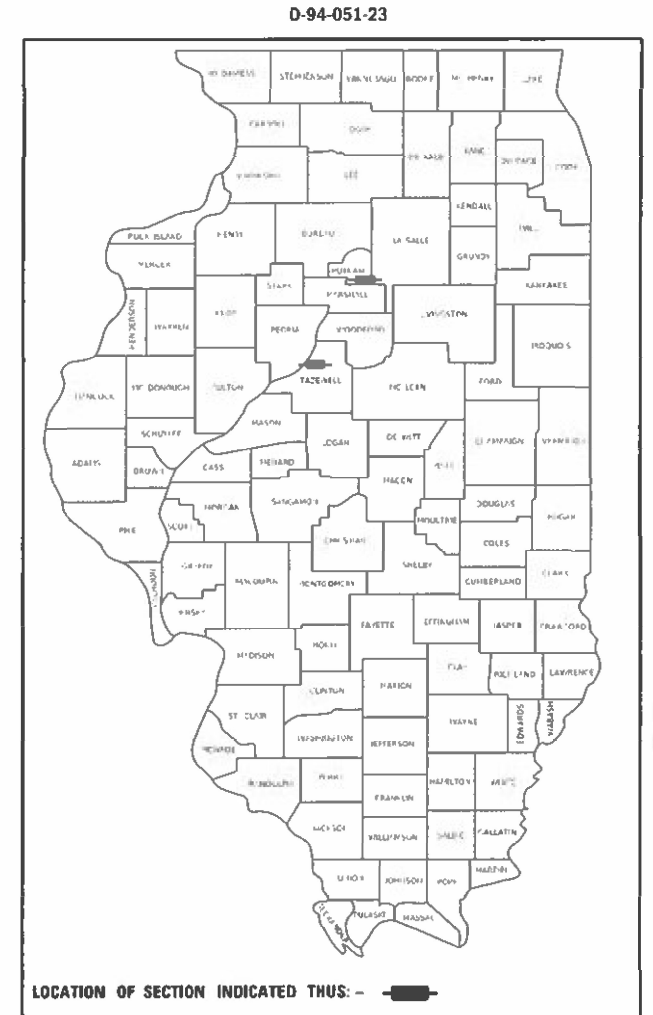
MAGNOLIA AND GROVELAND TOWNSHIP
(PUTNAM COUNTY AND TAZEWELL COUNTY)

LOCATION MAP
NOT TO SCALE

LOCATION 1-8	GROSS LENGTH = 16,145 FT. = 3.058 MILE
	NET LENGTH = 3,179 FT. = 0.602 MILE
LOCATION 9-13	GROSS LENGTH = 4,755 FT. = 0.901 MILE
	NET LENGTH = 1,526 FT. = 0.289 MILE

MILLENNIA PROFESSIONAL SERVICES
THOMAS V. NGO, P.E.
062-058379

DATE: 06/22/2023
SIGNATURE AND SEAL APPLIES
TO DRWG NO 1 TO 13



DESCRIPTION OF WORK:
THIS PROJECT INVOLVES REPLACING SEVERAL EXISTING GUARDRAIL SPANNING IL 98 FROM MCNAUGHTON PARK DRIVE TO SPRINGFIELD ROAD. ADDITIONALLY, IT INVOLVES REPLACING DETERIORATED GUARDRAILS SPANNING IL 18 FROM IL 89 TO THE PUTNAM COUNTY LINE.

STATE OF ILLINOIS
DEPARTMENT OF TRANSPORTATION

SUBMITTED June 27, 2023

Kevin A. Barnett
REGIONAL ENGINEER

August 18, 2023
Scott A. Etkin
ENGINEER OF DESIGN AND ENVIRONMENT

August 18, 2023
Stephen M. Smith
DIRECTOR OF HIGHWAYS PROJECT IMPLEMENTATION

PRINTED BY THE AUTHORITY
OF THE STATE OF ILLINOIS

FILE NAME = P:\2022\ME22002 PTB 201-033 D4 PH I-II-III VV Klingner\W016_IL116_IL118_IL18\01-CADD\02-Shts\IL 18 - IL 98\03-04XXXXX.sht-500-001.dgn
 PLOT SCALE = 2.0000' / 1" USER NAME = jcovarrubias

COUNTY:
ROUTE:

CONSTRUCTION TYPE CODE	
TAZEWELL COUNTY	PUTNAM COUNTY
IL 98	IL 18
90% FEDERAL	90% FEDERAL
10% STATE	10% STATE
0021	0021

specialty item	PAYCODE	ITEM DESCRIPTION	UNIT	TOTAL QUANTITIES	TAZEWELL COUNTY	PUTNAM COUNTY
	20200100	EARTH EXCAVATION	CU YD	919	618	301
	63000003	STEEL PLATE BEAM GUARDRAIL, TYPE A, 9 FOOT POSTS	FOOT	4361	3088	1273
	63000030	STRONG POST GUARDRAIL ATTACHED TO CULVERT	FOOT	161	36	125
	63100167	TRAFFIC BARRIER TERMINAL, TYPE 1 (SPECIAL) TANGENT	EACH	48	28	20
	63200310	GUARDRAIL REMOVAL	FOOT	5697	3567	2130
	67100100	MOBILIZATION	L SUM	1	0.5	0.5
	70100450	TRAFFIC CONTROL AND PROTECTION, STANDARD 701201	L SUM	1	0.5	0.5
	70107025	CHANGEABLE MESSAGE SIGN	CAL DA	56	28	28
	72501000	TERMINAL MARKER - DIRECT APPLIED	EACH	48	28	20
	78200005	GUARDRAIL REFLECTORS, TYPE A	EACH	113	71	42
	Z0001002	GUARDRAIL AGGREGATE EROSION CONTROL	TON	1853	1246	607



USER NAME = jcovarrubias	DESIGNED - JC	REVISED -
	DRAWN - LN	REVISED -
PLOT SCALE = 2.0000' / 1"	CHECKED - TN	REVISED -
PLOT DATE = 6/23/2023	DATE -	REVISED -

**STATE OF ILLINOIS
DEPARTMENT OF TRANSPORTATION**

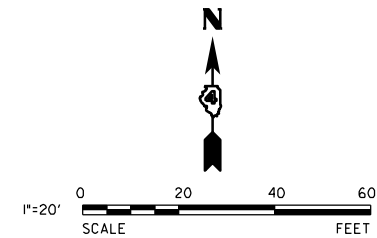
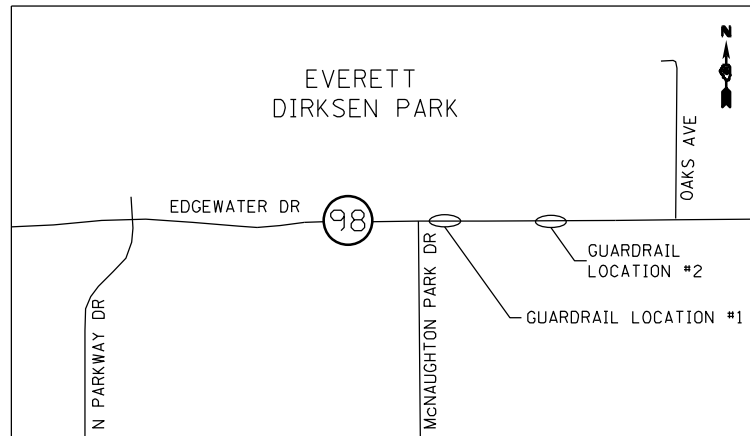
**VARIOUS LOCATIONS IN TAZEWELL AND PUTNAM COUNTIES
SUMMARY OF QUANTITIES**

SCALE: N/A SHEET NO. 1 OF 1 SHEETS STA. TO STA.

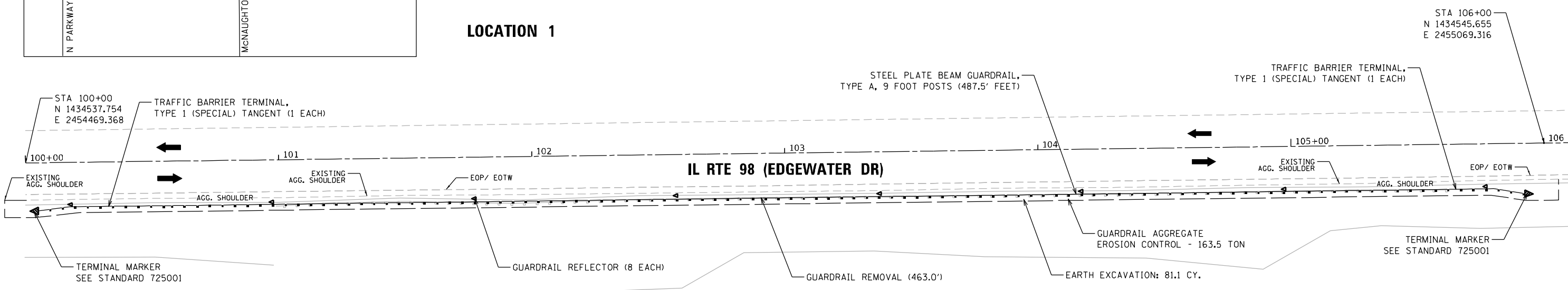
F.A.P. RTE.	SECTION	COUNTY	TOTAL SHEETS	SHEET NO.
VAR	(81)GR	VARIOUS	13	3
CONTRACT NO. 68H74				
FED. ROAD DIST. NO. 4 ILLINOIS FED. AID PROJECT				

P:\2022\ME22002 PTB 201-033 D4 PH I-II-III VV Klingner\W016_IL116_IL118_IL18\01-CADD\02-Shts\IL 18 - IL 98\03-04XXXXX.sht-500-001.dgn

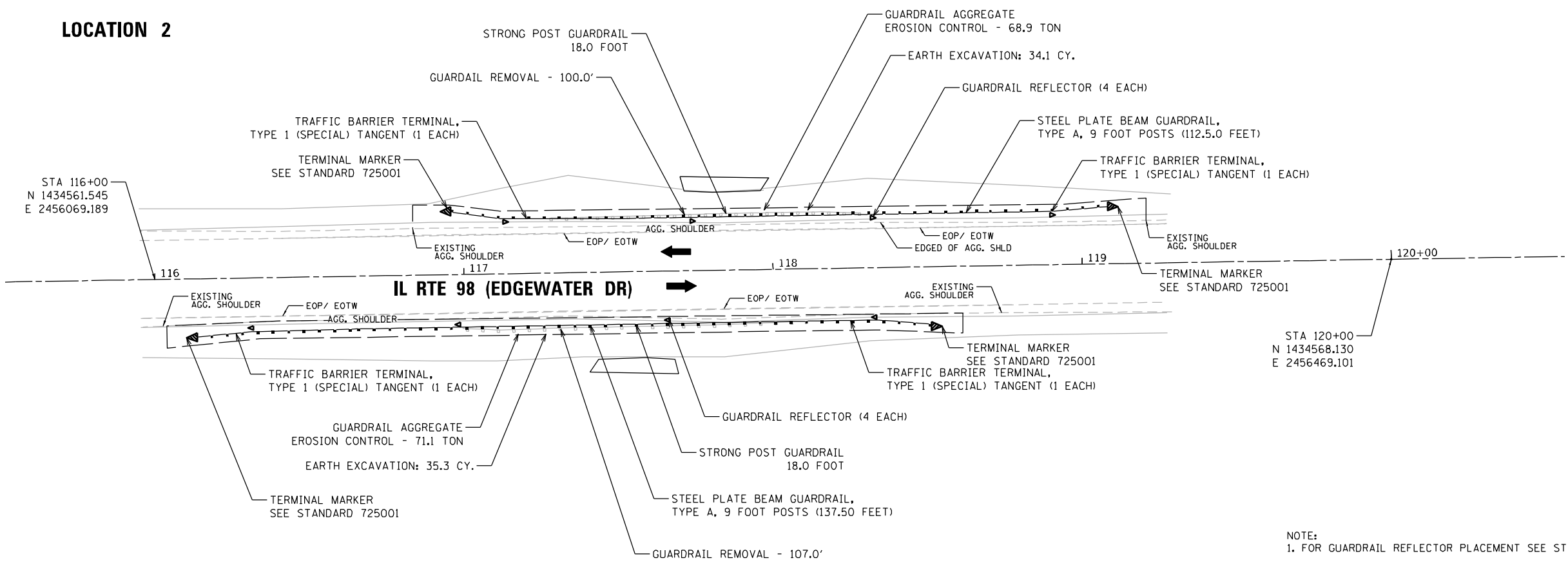
LOCATION MAP



LOCATION 1



LOCATION 2



NOTE:
1. FOR GUARDRAIL REFLECTOR PLACEMENT SEE STANDARD 782006.

FILE NAME = P:\2022\ME22002 PTB 201-033 D4 PH 1-II-III VV Klingner\W016.IL116.IL98.GR.L116\01-CADD\02-Shts\118 - IL 98\04-D4XXXXX-sht-GRP1en-001-002.dgn
 PLOT SCALE = 40.0000' / in.
 USER NAME = jcovarrubias



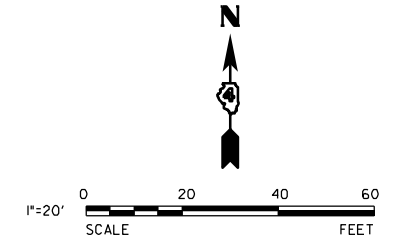
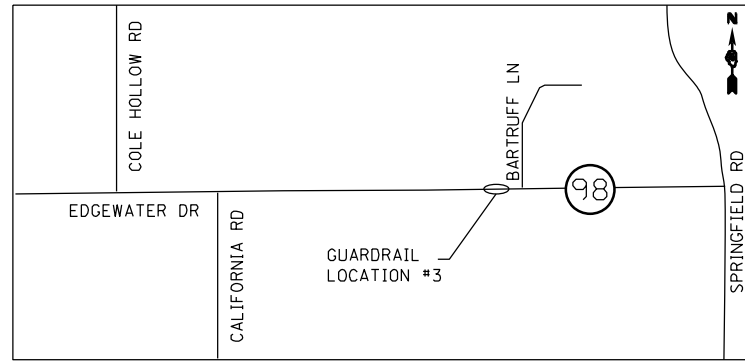
USER NAME = jcovarrubias	DESIGNED - JC	REVISED -
	DRAWN - LN	REVISED -
PLOT SCALE = 40.0000' / in.	CHECKED - TN	REVISED -
PLOT DATE = 6/23/2023	DATE -	REVISED -

STATE OF ILLINOIS
DEPARTMENT OF TRANSPORTATION

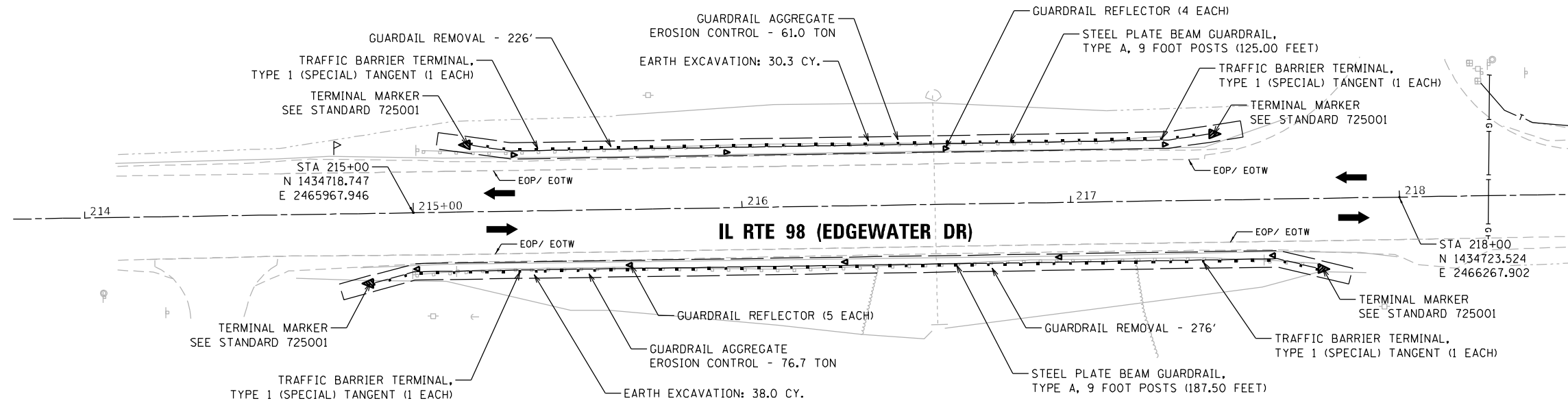
VARIOUS LOCATIONS IN TAZEWELL AND PUTNAM COUNTIES
GUARDRAIL IMPROVEMENTS - ROADWAY PLAN (IL 98)

F.A.P. RTE.	SECTION	COUNTY	TOTAL SHEETS	SHEET NO.
VAR	(8)UGR	VARIOUS	13	4
CONTRACT NO. 68H74				
FED. ROAD DIST. NO. 4 ILLINOIS FED. AID PROJECT				

LOCATION MAP



LOCATION 3



FILE NAME = P:\2022\ME22002 PTB 201-033 D4 PH 1-11-11 VV Kingner\W016_IL116_IL98_GR_IL18\01-CADD\02-Shts\18 - IL 98\05-D4XXXX-sht-GRP1en-003.dgn
 PLOT SCALE = 40.0000' / in.
 USER NAME = jcovarrubias



USER NAME = jcovarrubias	DESIGNED - JC	REVISED -
	DRAWN - LN	REVISED -
PLOT SCALE = 40.0000' / in.	CHECKED - TN	REVISED -
PLOT DATE = 6/23/2023	DATE -	REVISED -

**STATE OF ILLINOIS
DEPARTMENT OF TRANSPORTATION**

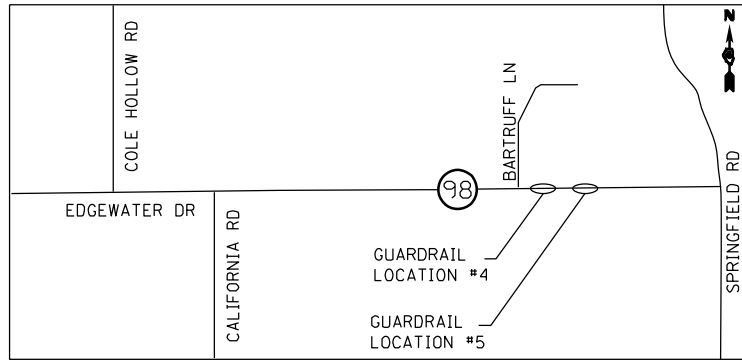
**VARIOUS LOCATIONS IN TAZEWELL AND PUTNAM COUNTIES
GUARDRAIL IMPROVEMENTS - ROADWAY PLAN (IL 98)**

SCALE: 1"=20' SHEET NO. 2 OF 8 SHEETS STA. TO STA.

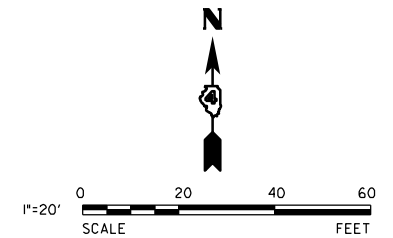
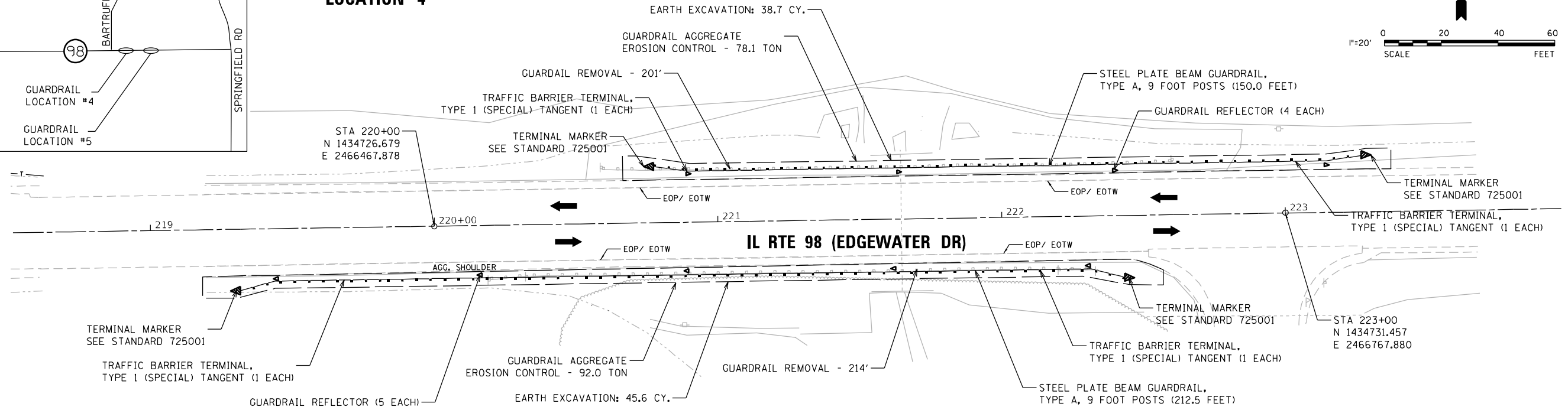
F.A.P. RTE.	SECTION	COUNTY	TOTAL SHEETS	SHEET NO.
	(8)UGR	VARIOUS	13	5
CONTRACT NO. 68H74				
FED. ROAD DIST. NO. 4 ILLINOIS FED. AID PROJECT				

P:\2022\ME22002 PTB 201-033 D4 PH 1-11-11 VV Kingner\W016_IL116_IL98_GR_IL18\01-CADD\02-Shts\18 - IL 98\05-D4XXXX-sht-GRP1en-003.dgn

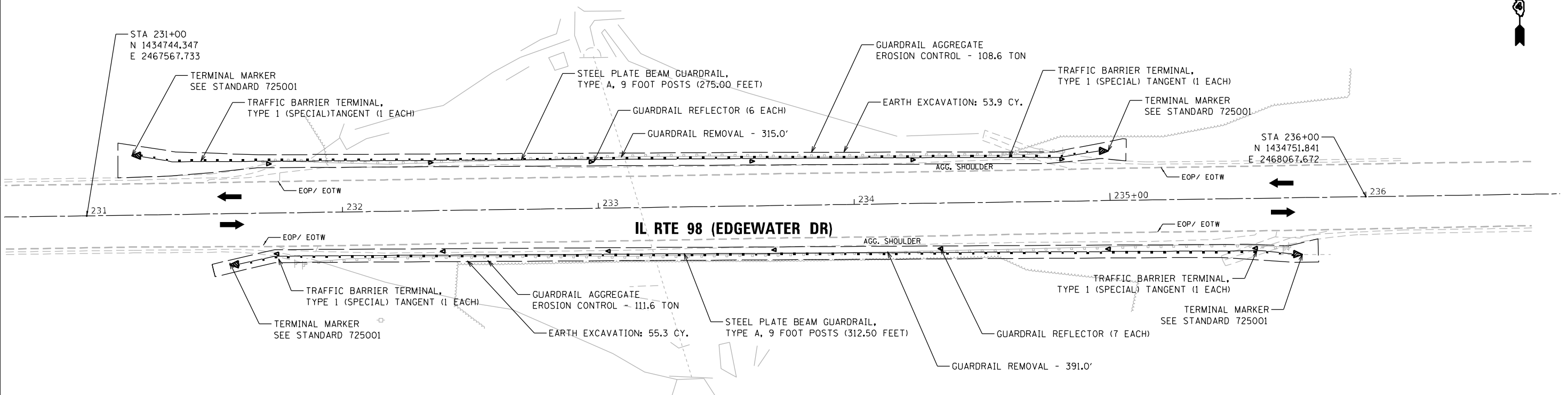
LOCATION MAP



LOCATION 4



LOCATION 5



NOTE:
1. FOR GUARDRAIL REFLECTOR PLACEMENT SEE STANDARD 782006.

FILE NAME = P:\2022\ME22002 PTB 201-033 D4 PH 1-11-11 VV K1ngner\W016.IL116.IL98.GR.L118\01-CADD\02-Shts\1L 18 - IL 98\06-04XXXX-sht-GRP1en-004-005.dgn
 PLOT SCALE = 40.0000' / in.
 USER NAME = jcovarrubias



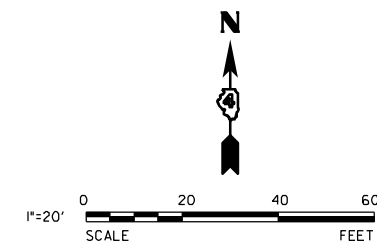
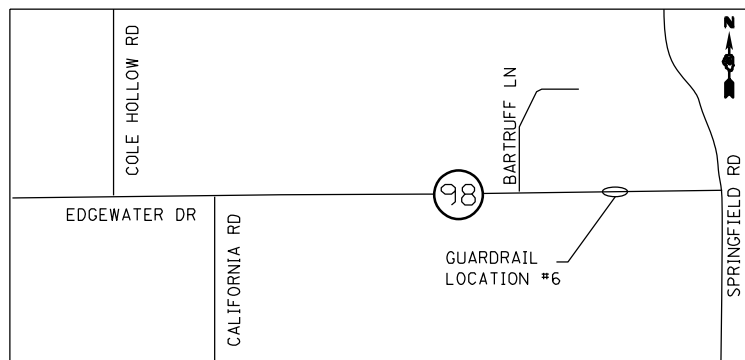
USER NAME = jcovarrubias	DESIGNED - JC	REVISED -
PLOT SCALE = 40.0000' / in.	DRAWN - LN	REVISED -
PLOT DATE = 6/23/2023	CHECKED - TN	REVISED -
	DATE -	REVISED -

STATE OF ILLINOIS
DEPARTMENT OF TRANSPORTATION

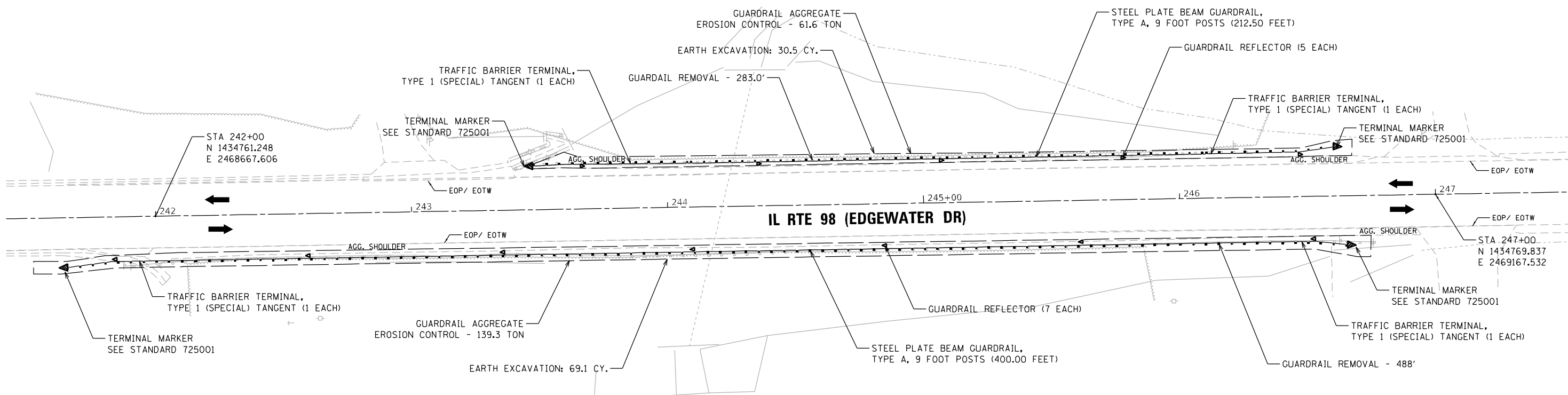
VARIOUS LOCATIONS IN TAZEWELL AND PUTNAM COUNTIES
GUARDRAIL IMPROVEMENTS - ROADWAY PLAN (IL 98)

F.A.P. RTE.	SECTION	COUNTY	TOTAL SHEETS	SHEET NO.
VAR	(8)11GR	VARIOUS	13	6
CONTRACT NO. 68H74				
FED. ROAD DIST. NO. 4 [ILLINOIS] FED. AID PROJECT				

LOCATION MAP



LOCATION 6



NOTE:
1. FOR GUARDRAIL REFLECTOR PLACEMENT SEE STANDARD 782006.

FILE NAME = P:\2022\ME22002 PTB 201-033 D4 PH 1-11-11 VV Kingner\W016_IL116_IL98_GR_IL18\01-CADD\02-Shts\IL 18 - IL 98\07-D4XXXXX-sht-GRP1en-006.dgn
 PLOT SCALE = 40.0000' / in.
 USER NAME = jcovarrubias



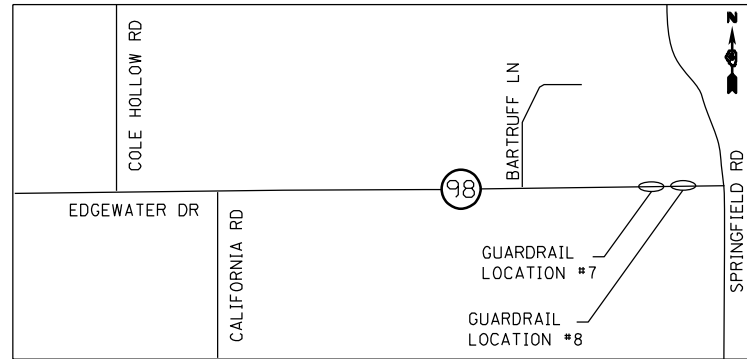
USER NAME = jcovarrubias	DESIGNED - JC	REVISED -
	DRAWN - LN	REVISED -
PLOT SCALE = 40.0000' / in.	CHECKED - TN	REVISED -
PLOT DATE = 6/23/2023	DATE -	REVISED -

STATE OF ILLINOIS
DEPARTMENT OF TRANSPORTATION

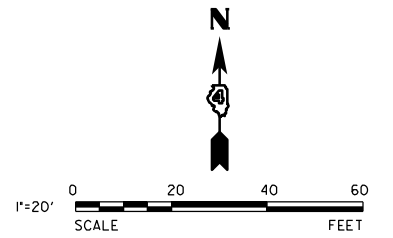
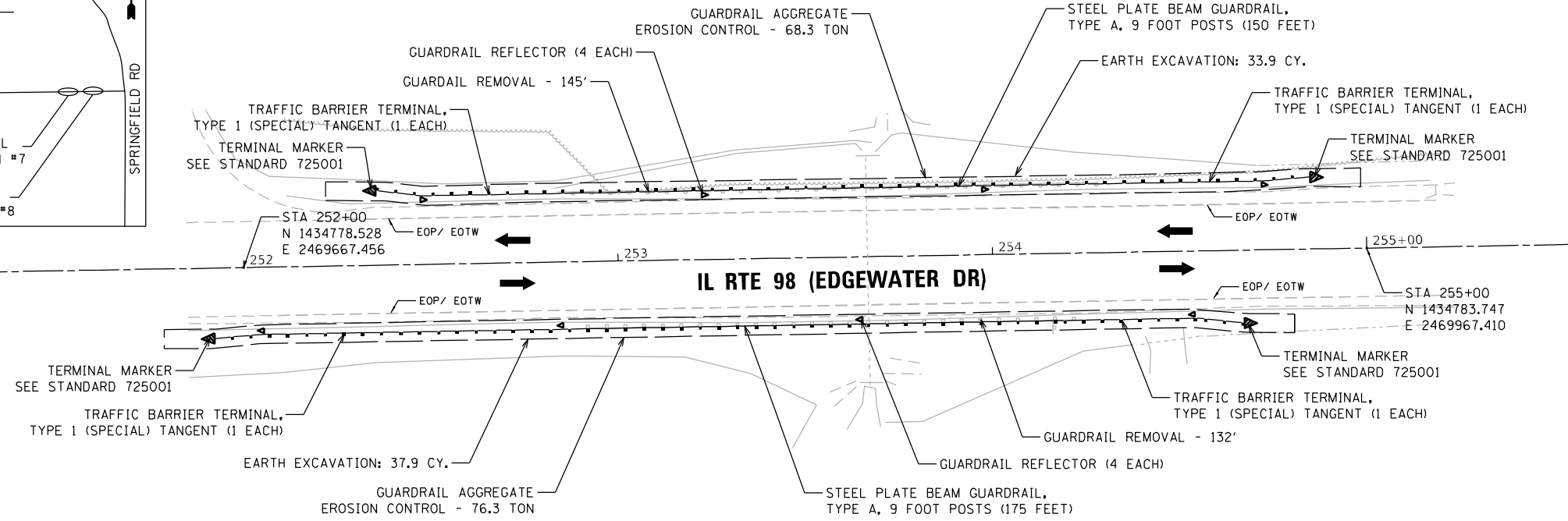
VARIOUS LOCATIONS IN TAZEWELL AND PUTNAM COUNTIES
GUARDRAIL IMPROVEMENTS - ROADWAY PLAN (IL 98)

F.A.P. RTE.	SECTION	COUNTY	TOTAL SHEETS	SHEET NO.
VAR	(81)GR	VARIOUS	13	7
CONTRACT NO. 68H74				
FED. ROAD DIST. NO. 4 [ILLINOIS] FED. AID PROJECT				

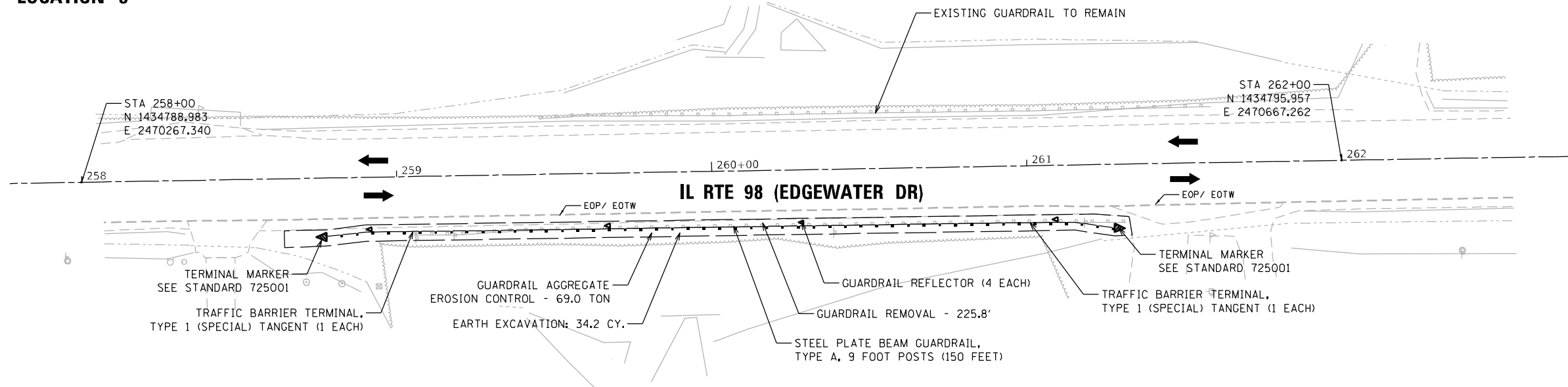
LOCATION MAP



LOCATION 7



LOCATION 8



NOTE:
1. FOR GUARDRAIL REFLECTOR PLACEMENT SEE STANDARD 782006.

FILE NAME = P:\2022\ME22002 PTB 201-033 D4 PH 1-II-III VV Kingner\W016_IL116_IL98_GR_IL18\01-CADD\02-Shts\IL 18 - IL 98\08-D4XXXX-sht-GRP1en-007-008.dgn
 PLOT SCALE = 40.0000' / in.
 USER NAME = jcovarrubias



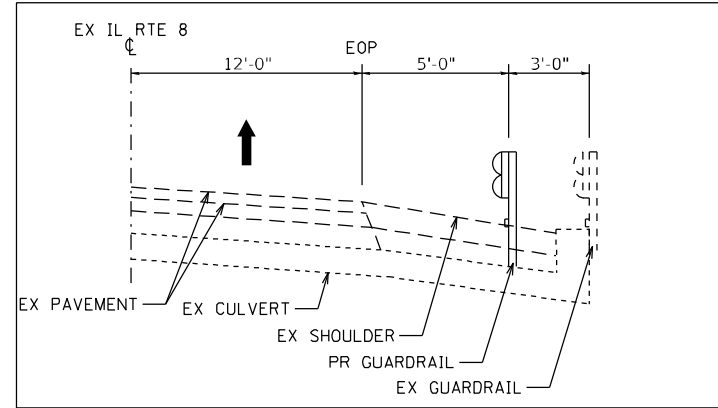
USER NAME = jcovarrubias	DESIGNED - JC	REVISED -
	DRAWN - LN	REVISED -
PLOT SCALE = 40.0000' / in.	CHECKED - TN	REVISED -
PLOT DATE = 6/26/2023	DATE -	REVISED -

**STATE OF ILLINOIS
DEPARTMENT OF TRANSPORTATION**

**VARIOUS LOCATIONS IN TAZEWELL AND PUTNAM COUNTIES
GUARDRAIL IMPROVEMENTS - ROADWAY PLAN (IL 98)**

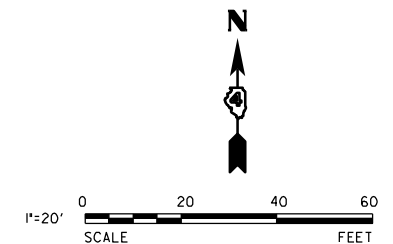
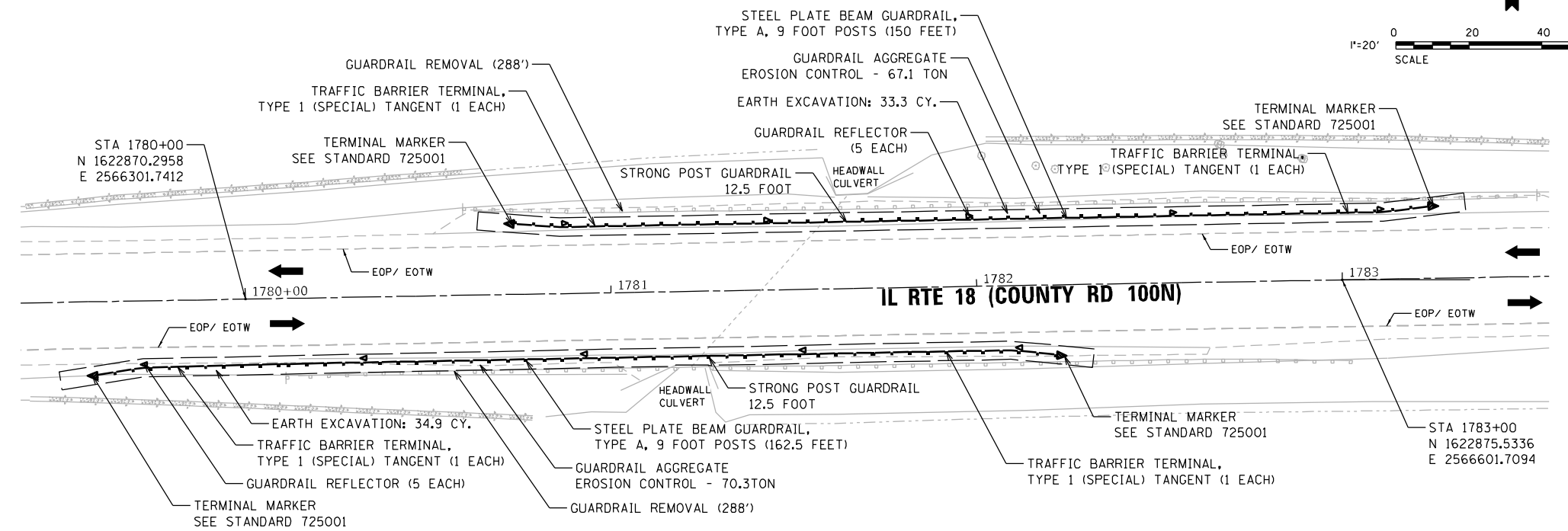
F.A.P. RTE.	SECTION	COUNTY	TOTAL SHEETS	SHEET NO.
VAR	(8)11GR	VARIOUS	13	8
CONTRACT NO. 68H74				
FED. ROAD DIST. NO. 4 ILLINOIS FED. AID PROJECT				

GUARDRAIL TYPICAL VIEW DETAIL

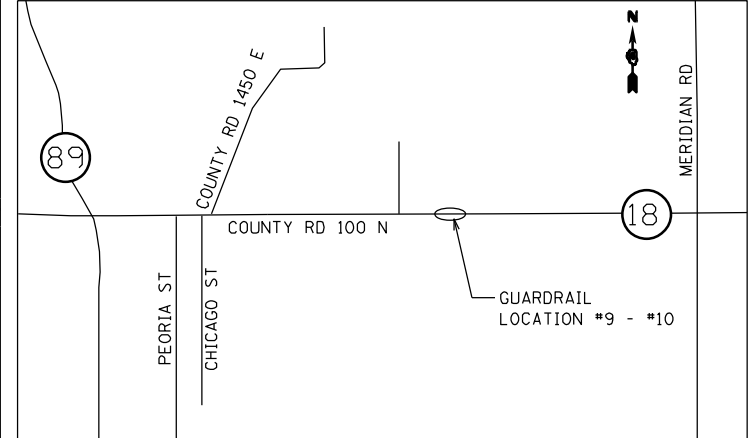


- NOTES:**
1. PROPOSED GUARDRAIL TO BE INSTALLED 3' OFFSET FROM EXISTING GUARDRAIL.
 2. USE STRONG POST GUARDRAIL ATTACHED TO CULVERT.

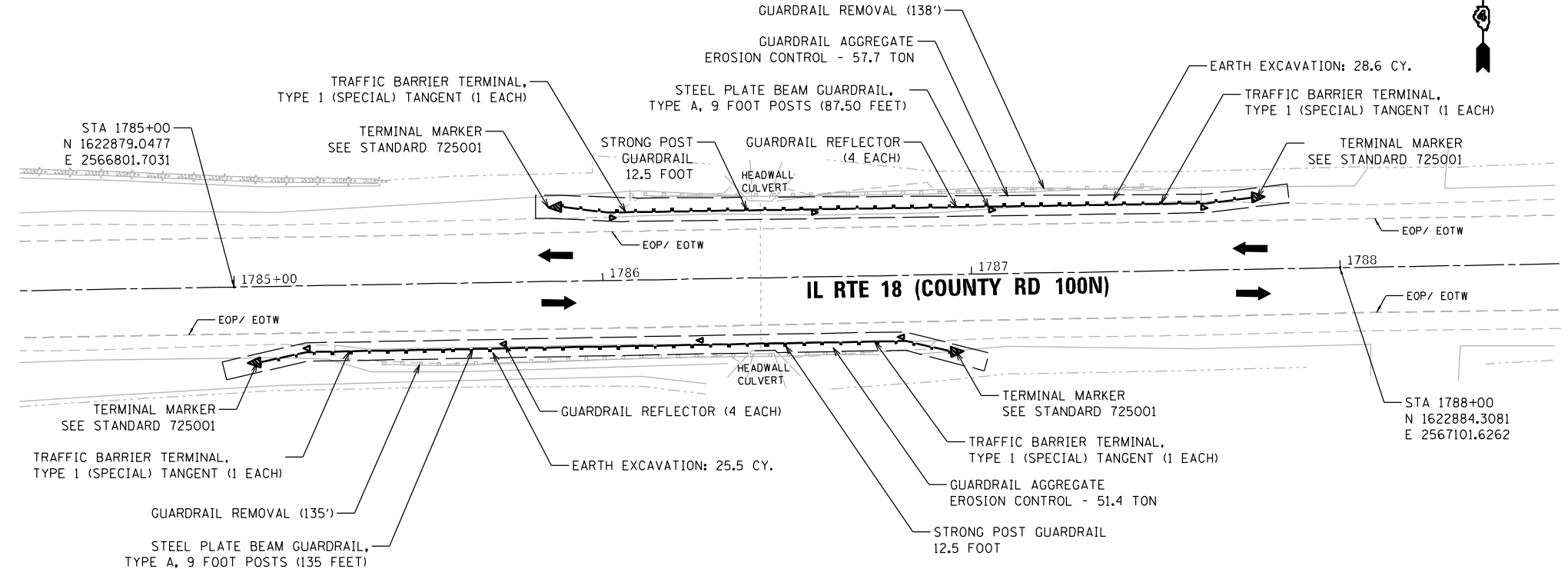
LOCATION 9



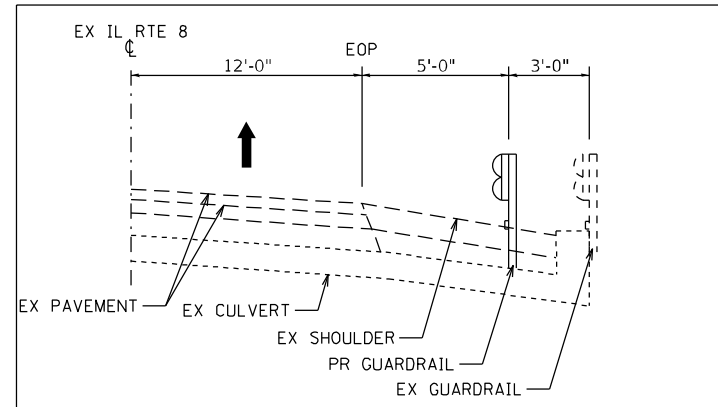
LOCATION MAP



LOCATION 10



GUARDRAIL TYPICAL VIEW DETAIL



- NOTES:**
1. PROPOSED GUARDRAIL TO BE INSTALLED 3' OFFSET FROM EXISTING GUARDRAIL.
 2. USE STRONG POST GUARDRAIL ATTACHED TO CULVERT.

NOTE:
1. FOR GUARDRAIL REFLECTOR PLACEMENT SEE STANDARD 782006.

FILE NAME = P:\2022\ME22002 PTB 201-033 D4 PH I-II-III VV K\ingner\W016.IL116.IL98.GR.IL18\01-CADD\02-Shts\IL 18 - IL 98\09-04XXXXX-sht-GRP\en-IL18-009-010.dgn
 PLOT SCALE = 40.0000' / in.
 USER NAME = jcovarrubias



USER NAME = jcovarrubias	DESIGNED - JC	REVISED -
PLOT SCALE = 40.0000' / in.	DRAWN - LN	REVISED -
PLOT DATE = 6/23/2023	CHECKED - TN	REVISED -
	DATE -	REVISED -

STATE OF ILLINOIS
DEPARTMENT OF TRANSPORTATION

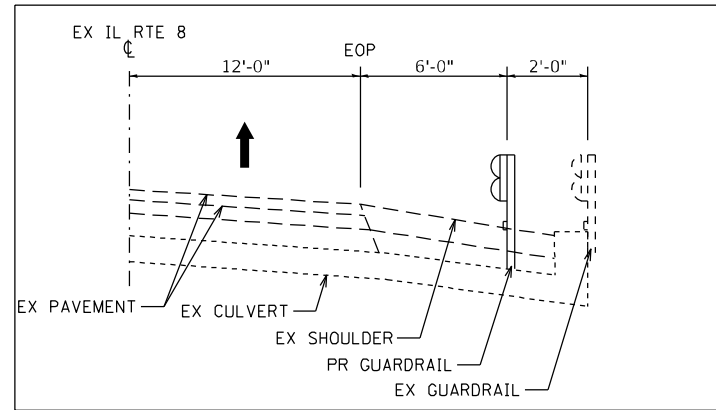
VARIOUS LOCATIONS IN TAZEWELL AND PUTNAM COUNTIES
GUARDRAIL IMPROVEMENTS - ROADWAY PLAN (IL 18)

SCALE: 1"=20' SHEET NO. 6 OF 8 SHEETS STA. TO STA.

F.A.P. RTE.	SECTION	COUNTY	TOTAL SHEETS	SHEET NO.
VAR	(8)1GR	VARIOUS	13	9
CONTRACT NO. 68H74				
FED. ROAD DIST. NO. 4 [ILLINOIS] FED. AID PROJECT				

P:\2022\ME22002 PTB 201-033 D4 PH I-II-III VV K\ingner\W016.IL116.IL98.GR.IL18\01-CADD\02-Shts\IL 18 - IL 98\09-04XXXXX-sht-GRP\en-IL18-009-010.dgn

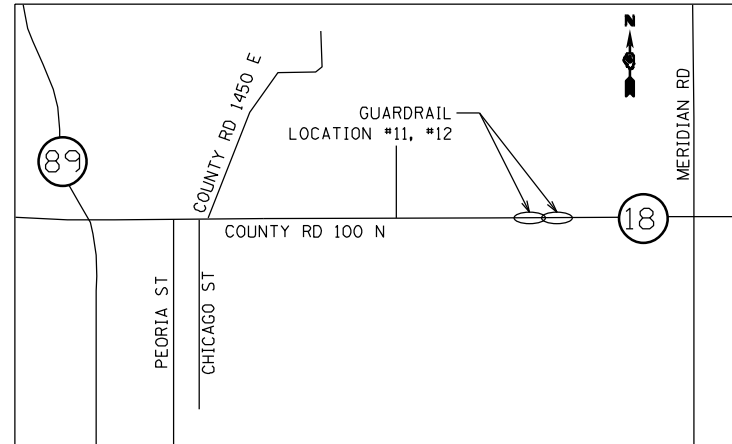
GUARDRAIL TYPICAL VIEW DETAIL



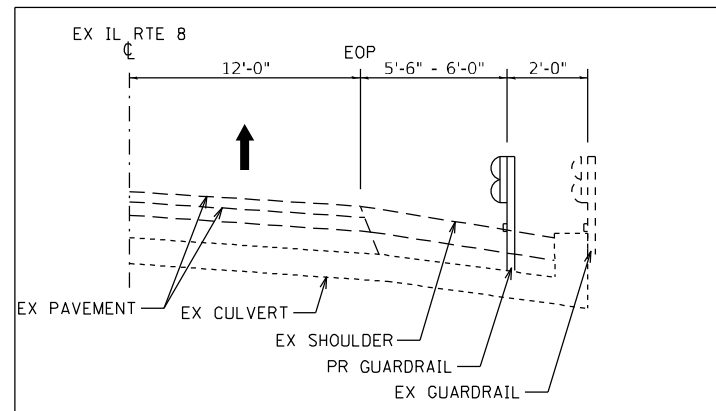
NOTES:

1. PROPOSED GUARDRAIL TO BE INSTALLED 2' OFFSET FROM EXISTING GUARDRAIL.
2. USE STRONG POST GUARDRAIL ATTACHED TO CULVERT.

LOCATION MAP



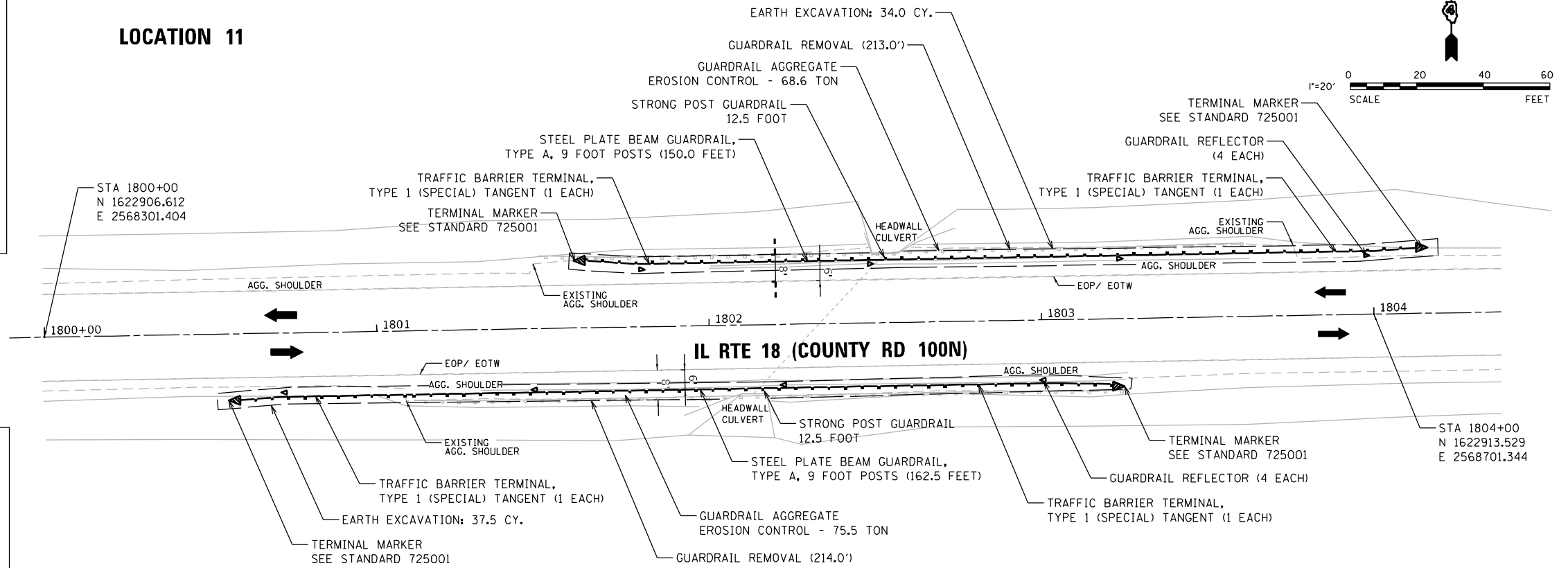
GUARDRAIL TYPICAL VIEW DETAIL



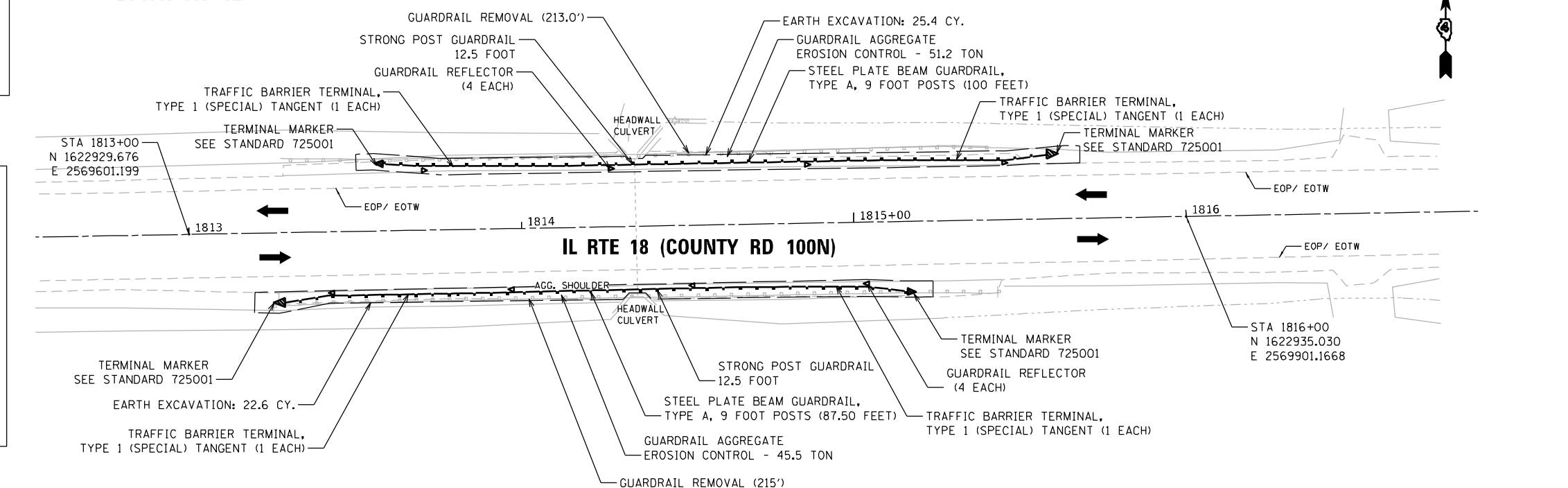
NOTES:

1. PROPOSED GUARDRAIL TO BE INSTALLED 2' OFFSET FROM EXISTING GUARDRAIL.
2. USE STRONG POST GUARDRAIL ATTACHED TO CULVERT.

LOCATION 11



LOCATION 12



NOTE:
1. FOR GUARDRAIL REFLECTOR PLACEMENT SEE STANDARD 782006.

FILE NAME = P:\2022\ME2202\PTB 201-033 D4 PH 1-1-III VV Kingner\W016_IL116_IL98_GR_IL18\01-CADD\02-Shts\18 - IL 98\10-D4XXXX-sht-GRP\en-IL18-011-012.dgn
 PLOT SCALE = 40.0000' / in.
 USER NAME = jcovarrubias



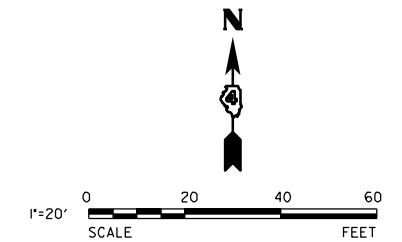
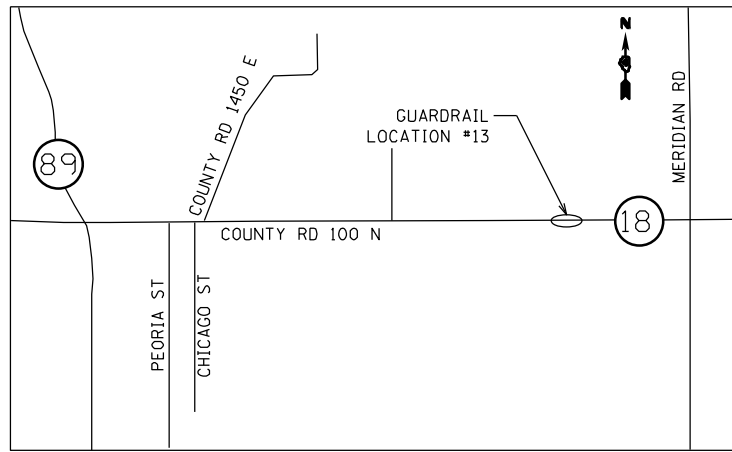
USER NAME = jcovarrubias	DESIGNED - JC	REVISED -
PLOT SCALE = 40.0000' / in.	DRAWN - LN	REVISED -
PLOT DATE = 6/23/2023	CHECKED - TN	REVISED -
	DATE -	REVISED -

STATE OF ILLINOIS
DEPARTMENT OF TRANSPORTATION

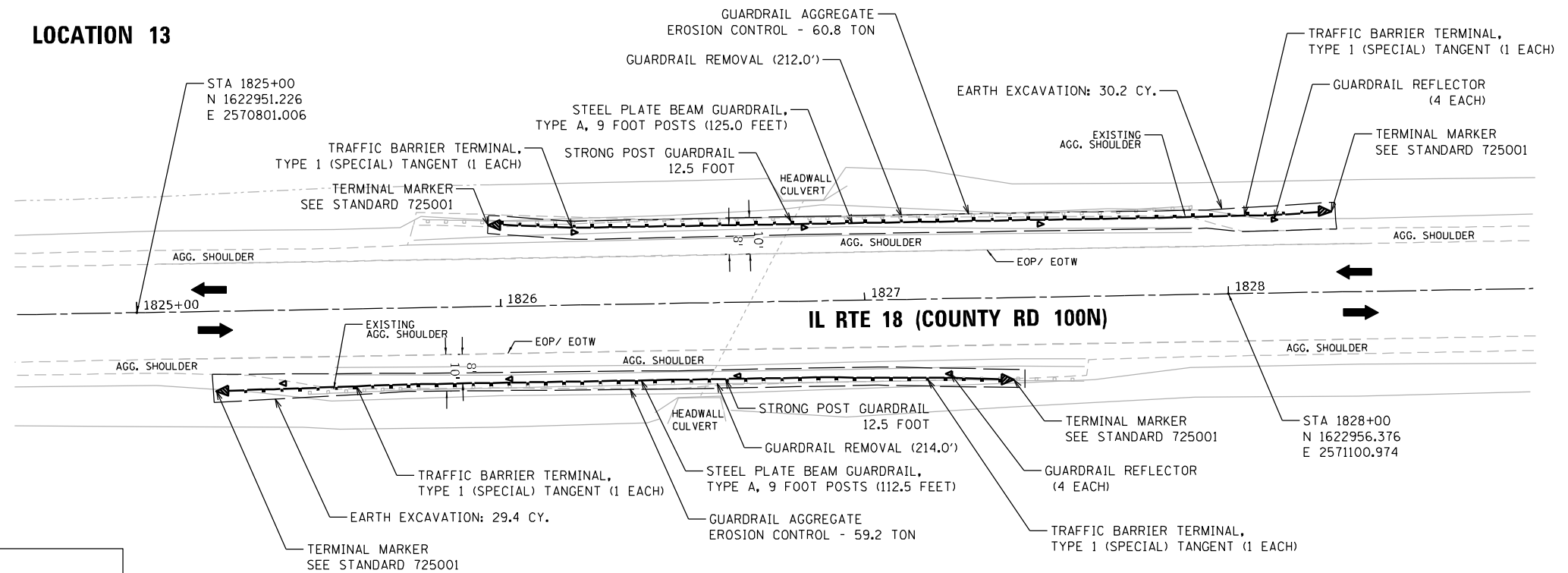
VARIOUS LOCATIONS IN TAZEWELL AND PUTNAM COUNTIES
GUARDRAIL IMPROVEMENTS - ROADWAY PLAN (IL 18)

F.A.P. RTE.	SECTION	COUNTY	TOTAL SHEETS	SHEET NO.
VAR	(8)1GR	VARIOUS	13	10
CONTRACT NO. 68H74				
FED. ROAD DIST. NO. 4 [ILLINOIS] FED. AID PROJECT				

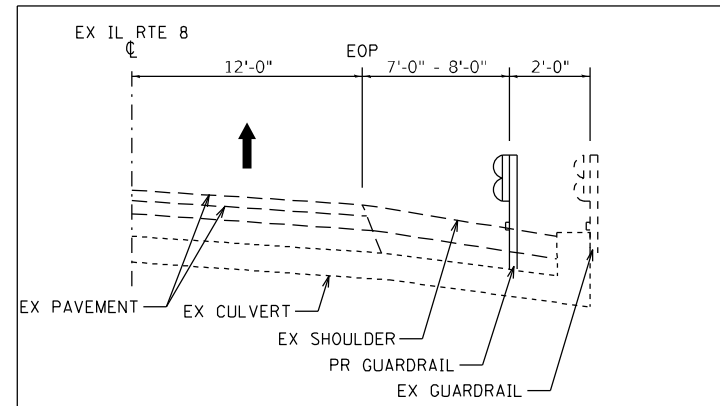
LOCATION MAP



LOCATION 13



GUARDRAIL TYPICAL VIEW DETAIL



NOTES:

1. PROPOSED GUARDRAIL TO BE INSTALLED 2' OFFSET FROM EXISTING GUARDRAIL.
2. USE STRONG POST GUARDRAIL ATTACHED TO CULVERT.

NOTE:
1. FOR GUARDRAIL REFLECTOR PLACEMENT SEE STANDARD 782006.

FILE NAME = P:\2022\ME22002 PTB 201-033 D4 PH I-II-III VV Kingner\W016_IL116_IL98_GR_IL18\01-CADD\02-Shts\IL 18 - IL 98\11-04XXXXX-shr-GRP1en-IL18-013.dgn
 PLOT SCALE = 40.0000' / in.
 USER NAME = jcovarrubias



USER NAME = jcovarrubias	DESIGNED - JC	REVISED -
PLOT SCALE = 40.0000' / in.	DRAWN - LN	REVISED -
PLOT DATE = 6/23/2023	CHECKED - TN	REVISED -
	DATE -	REVISED -

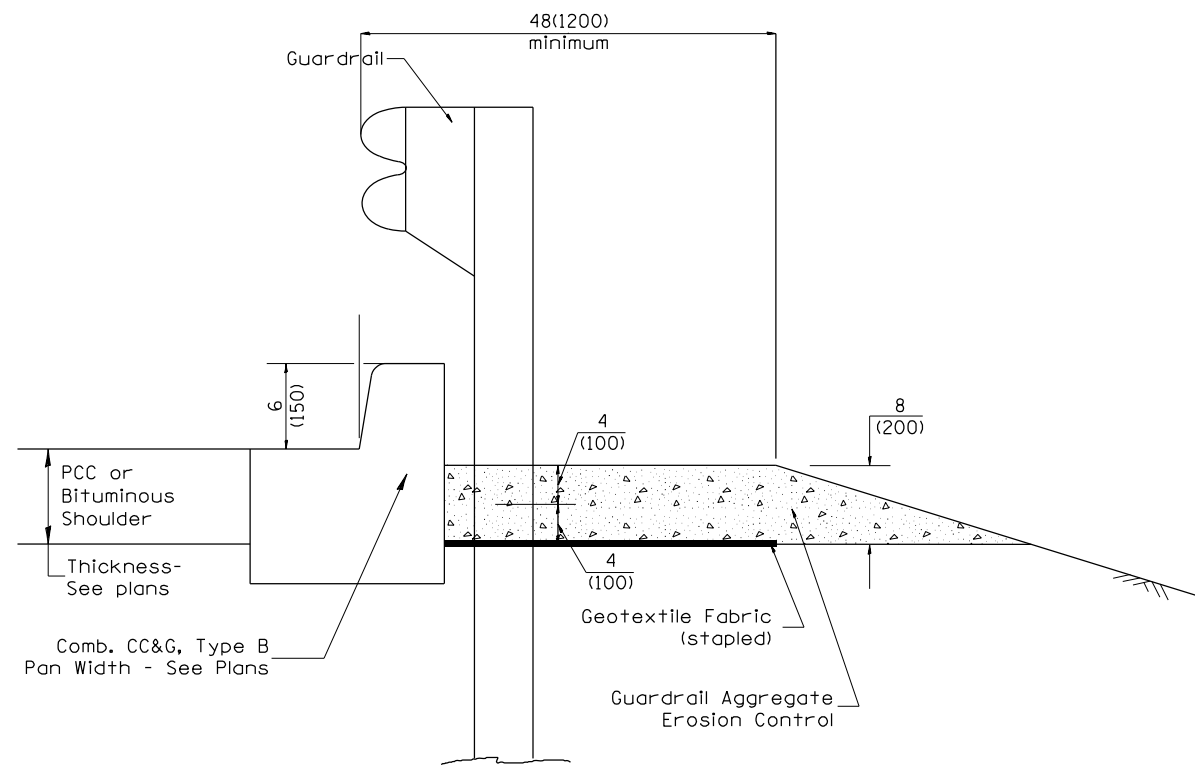
**STATE OF ILLINOIS
DEPARTMENT OF TRANSPORTATION**

**VARIOUS LOCATIONS IN TAZEWELL AND PUTNAM COUNTIES
GUARDRAIL IMPROVEMENTS - ROADWAY PLAN (IL 18)**

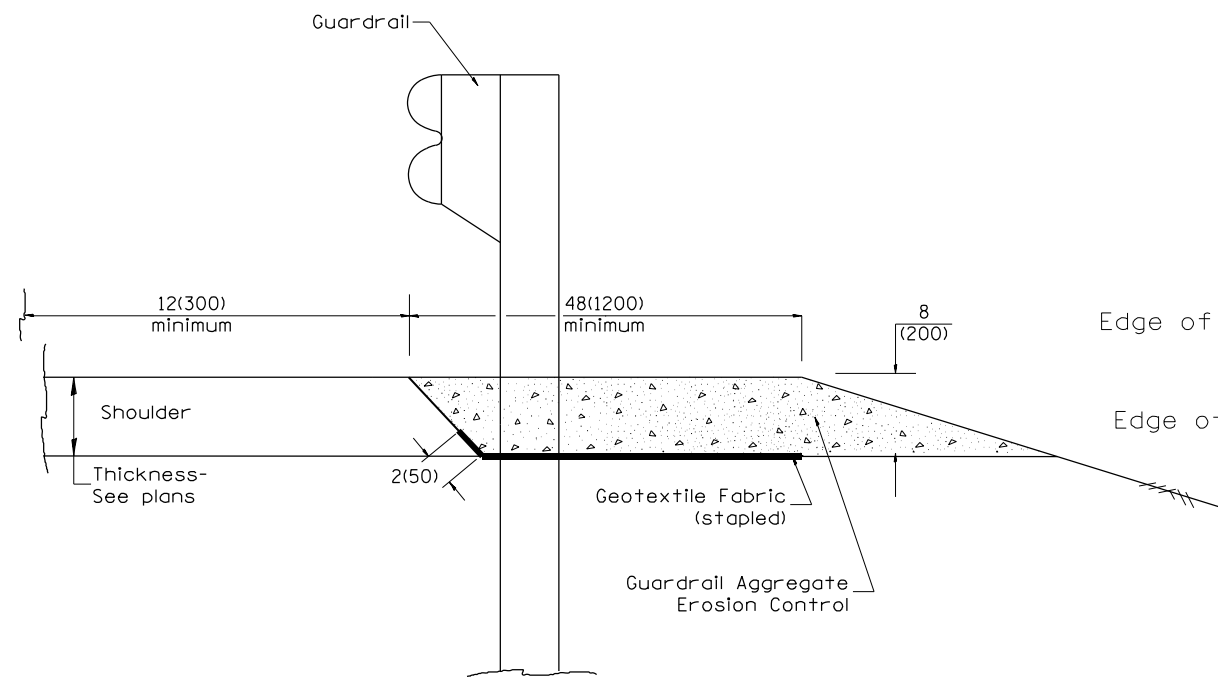
SCALE: 1"=20' SHEET NO. 8 OF 8 SHEETS STA. TO STA.

F.A.P. RTE.	SECTION	COUNTY	TOTAL SHEETS	SHEET NO.
VAR	(8)11GR	VARIOUS	13	11
CONTRACT NO. 68H74				
FED. ROAD DIST. NO. 4 ILLINOIS FED. AID PROJECT				

P:\2022\ME22002 PTB 201-033 D4 PH I-II-III VV Kingner\W016_IL116_IL98_GR_IL18\01-CADD\02-Shts\IL 18 - IL 98\11-04XXXXX-shr-GRP1en-IL18-013.dgn



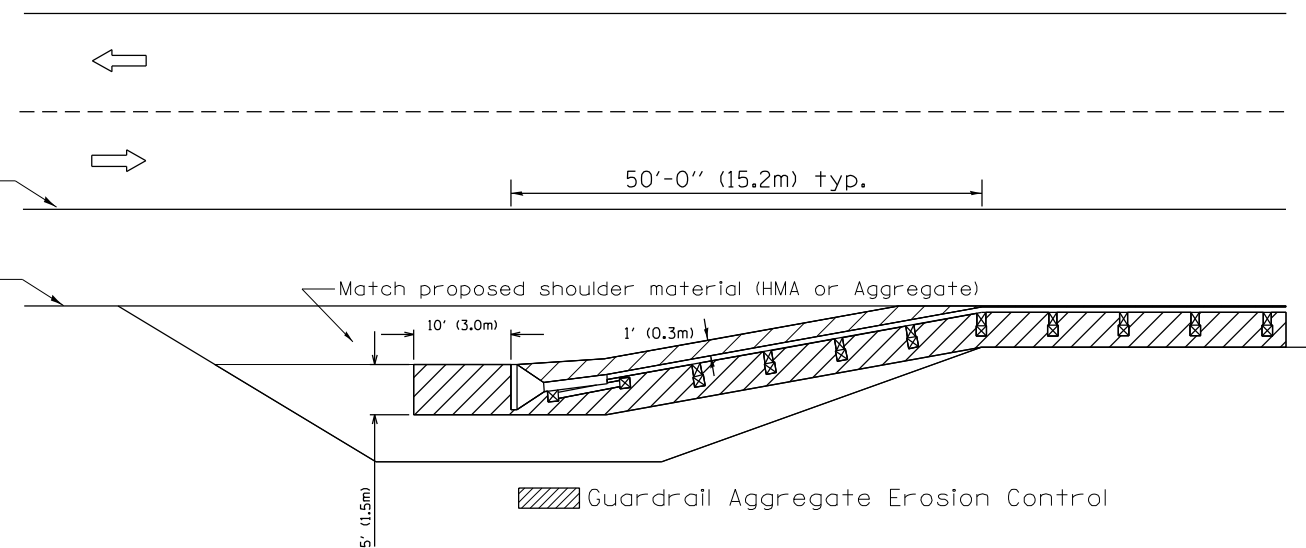
TYPICAL SECTION WITH COMBINATION CONCRETE CURB & GUTTER



TYPICAL SECTION WITHOUT EROSION CONTROL CURB

GENERAL NOTES: GUARDRAIL AGGREGATE EROSION CONTROL

1. This work shall consist of grading as needed, furnishing and installing geotextile fabric and staples, and furnishing, placing and shaping crushed aggregate around and behind Steel Plate Beam Guardrail posts in accordance with Plan Details.
2. Before placing the aggregate and the Geotextile Fabric, weeds and grass shall be removed from the area to be covered.
3. After the area has been prepared, and in a dry condition, the Geotextile fabric shall be placed with a 12(300) minimum overlap. A knife cut for guardrail post installation is necessary.
4. The aggregate shall be deposited, compacted and shaped by either mechanical or hand methods, in a manner reasonably true to line and grade.
5. The Contractor shall have the option of placing the guardrail before or after the Geotextile Fabric and Aggregate are in place. If the guardrail is placed after the Geotextile Fabric and Aggregate, then any voids must be filled and the aggregate returned to line and grade.
6. Materials shall meet the following requirements:
 - A. The crushed aggregate shall be CA1 gradation in accordance with Article 1004.01(c) of the Standard Specifications.
 - B. The Geotextile Fabric shall be nonwoven fabric in accordance with Article 1080.02 of the Standard Specifications.



All dimensions are in inches (millimeters) unless otherwise noted.

03-07-11	ADDED DETAIL SHOWING PLAN VIEW	R.D.	5-30-18	CHANGE B CURB TO CC&G	R.D.
08-10-12	REVISED CURB "B" AND AGGREGATE	R.D.	07-16-19	SPELLING CORRECTIONS	R.D.
07-15-15	ADDRESSED SHOULDER INLET CURB	R.D.			
01-26-17	REVISED	R.D.			

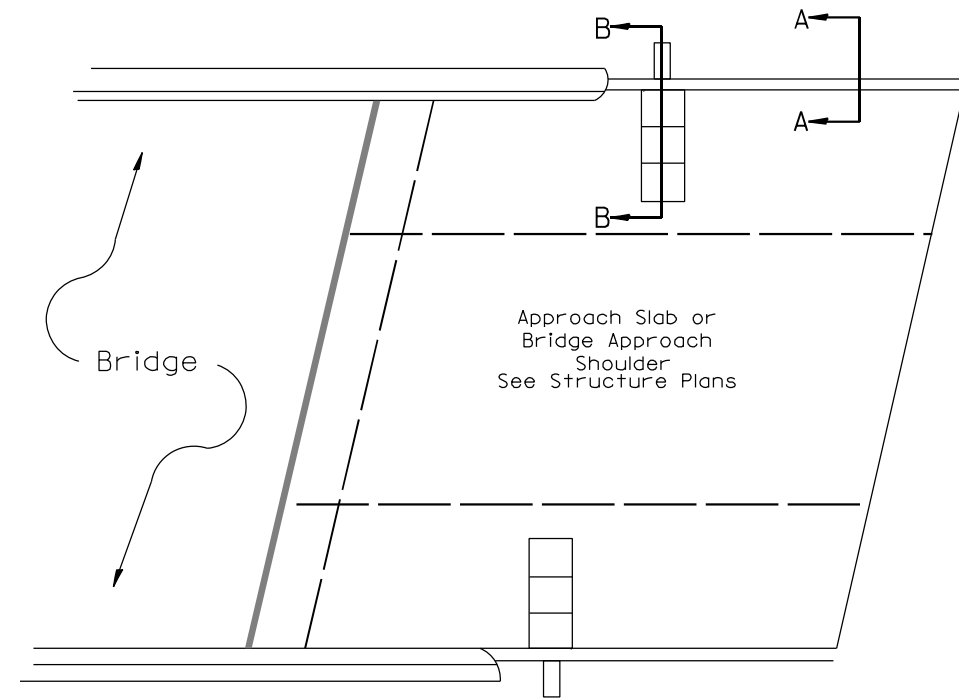
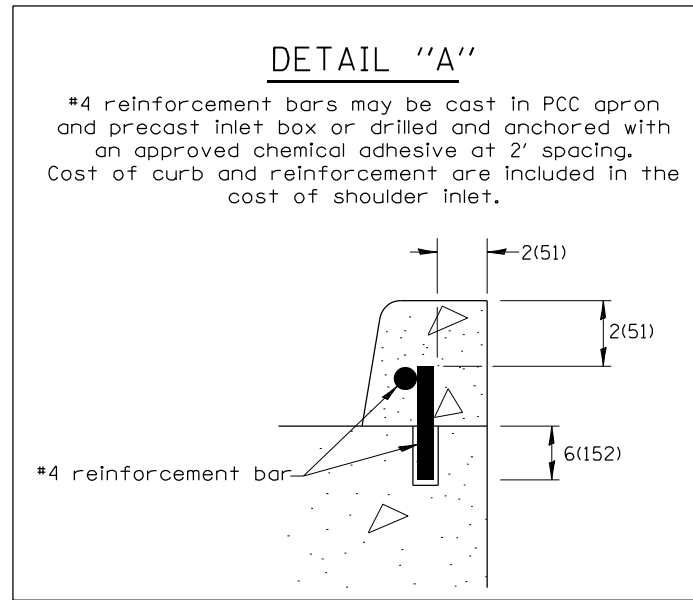
**STATE OF ILLINOIS
DEPARTMENT OF TRANSPORTATION**

NOT TO SCALE

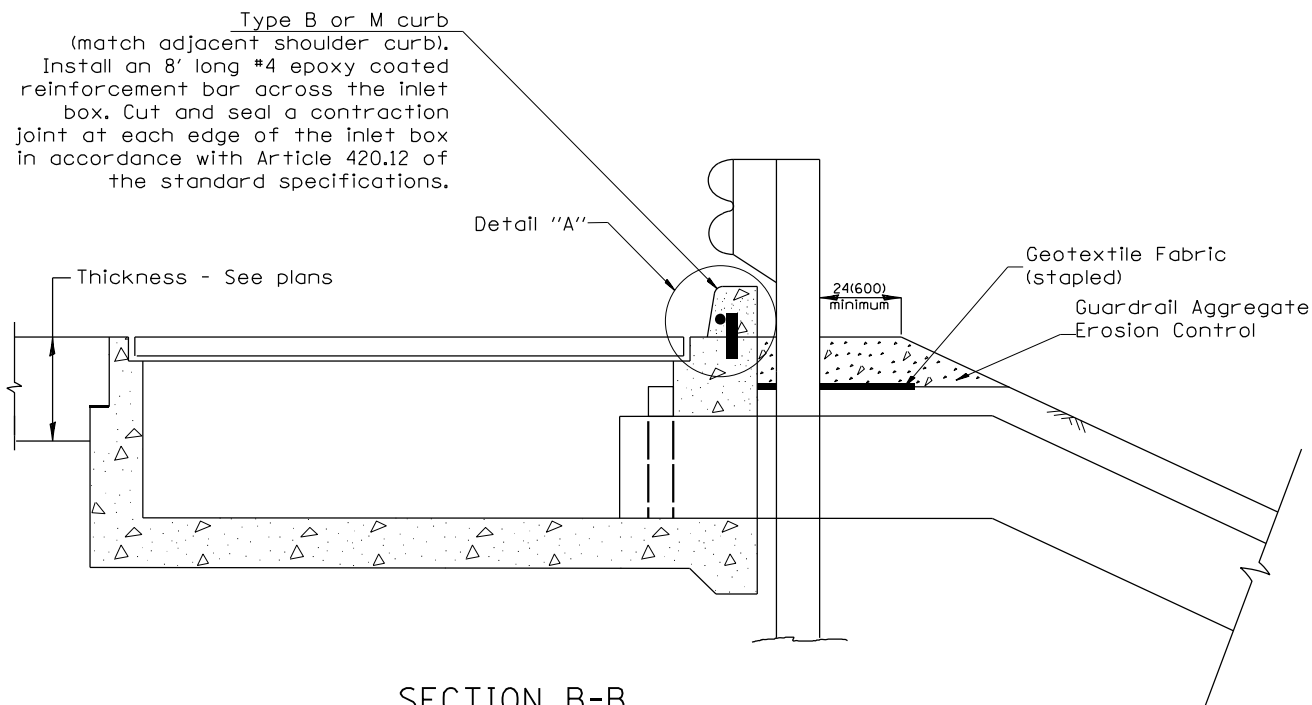
GUARDRAIL EROSION CONTROL TREATMENTS

SHT. 1 OF 2
CADD STD. 630101-D4

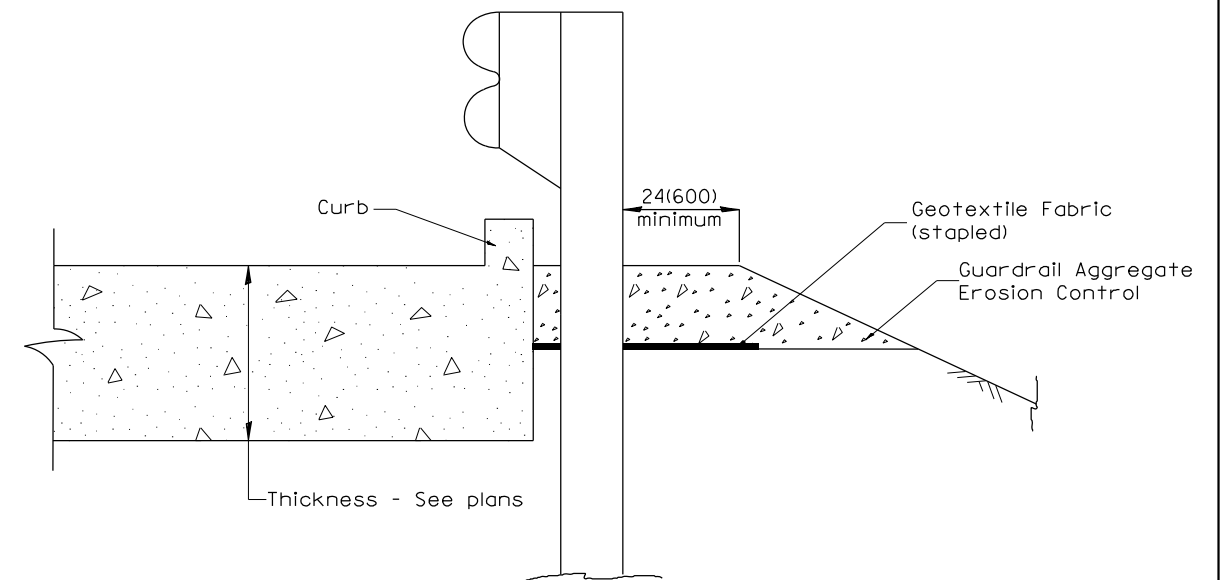
F.A. RTE.	SECTION	COUNTY	TOTAL SHEETS	SHEET NO.
	(B;1) GR		13	12
CONTRACT NO. 68B74				
FED. ROAD DIST. NO. ILLINOIS FED. AID PROJECT				



PLAN VIEW
APPROACH SLAB OR SHOULDER PLACEMENT



SECTION B-B
TYPICAL SECTION AT INLETS
TYPE E, F & G (HIGHWAY STANDARD 610001)



SECTION A-A
TYPICAL SECTION WITH BRIDGE APPROACH CURB

All dimensions are in inches (millimeters) unless otherwise noted.

STATE OF ILLINOIS DEPARTMENT OF TRANSPORTATION				GUARDRAIL EROSION CONTROL TREATMENTS				F.A. RTÉ.	SECTION	COUNTY	TOTAL SHEETS	SHEET NO.
									(8:1) GR		13	13
								CONTRACT NO. 68B74				
								FED. ROAD DIST. NO. ILLINOIS FED. AID PROJECT				

NOT TO SCALE

SHT. 2 OF 2
CADD STD. 630101-D4